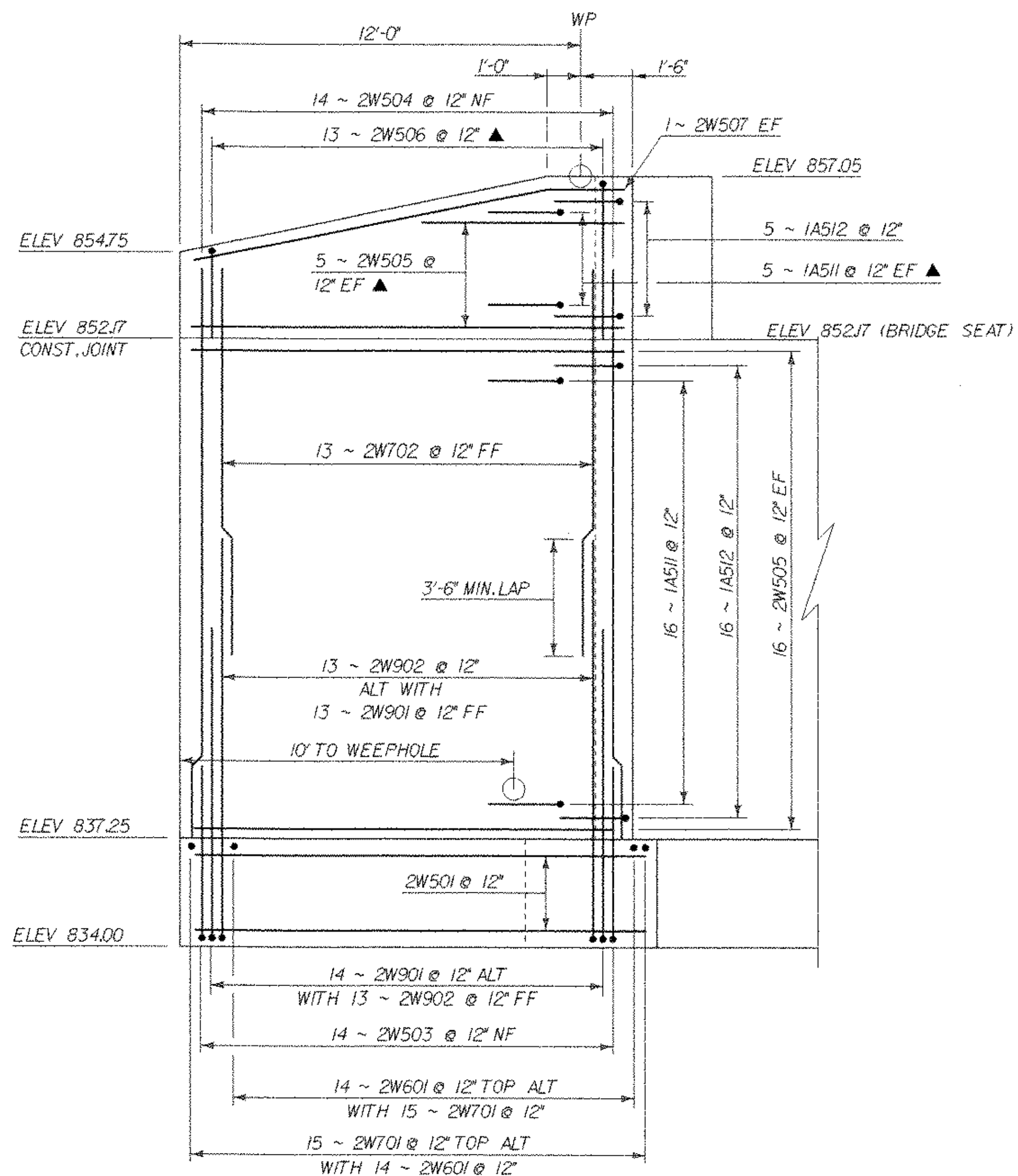


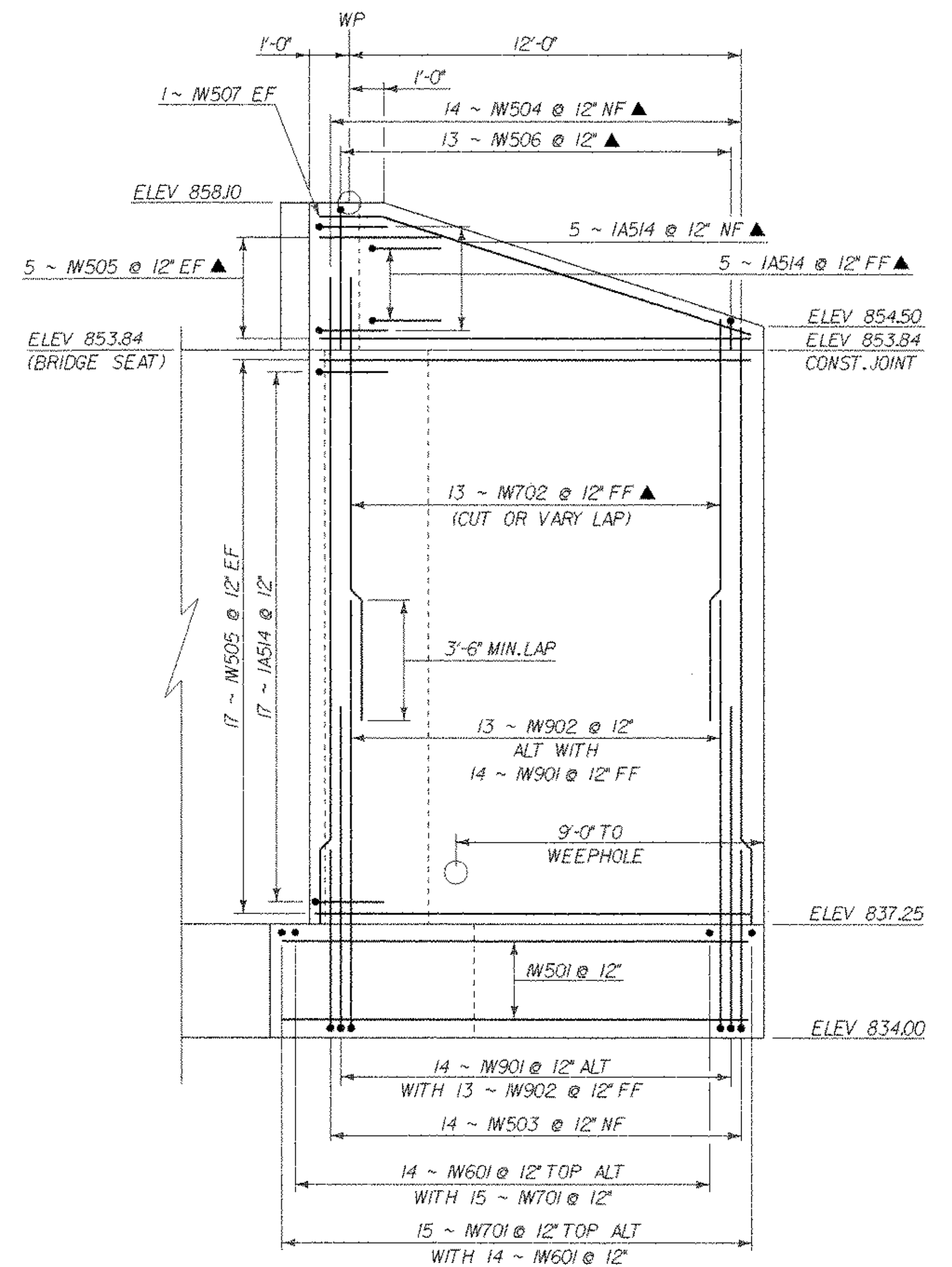
**WINGWALLS #1&2
TYPICAL SECTION**

SCALE 3/8" = 1'-0"
1 0 1 2 3 4



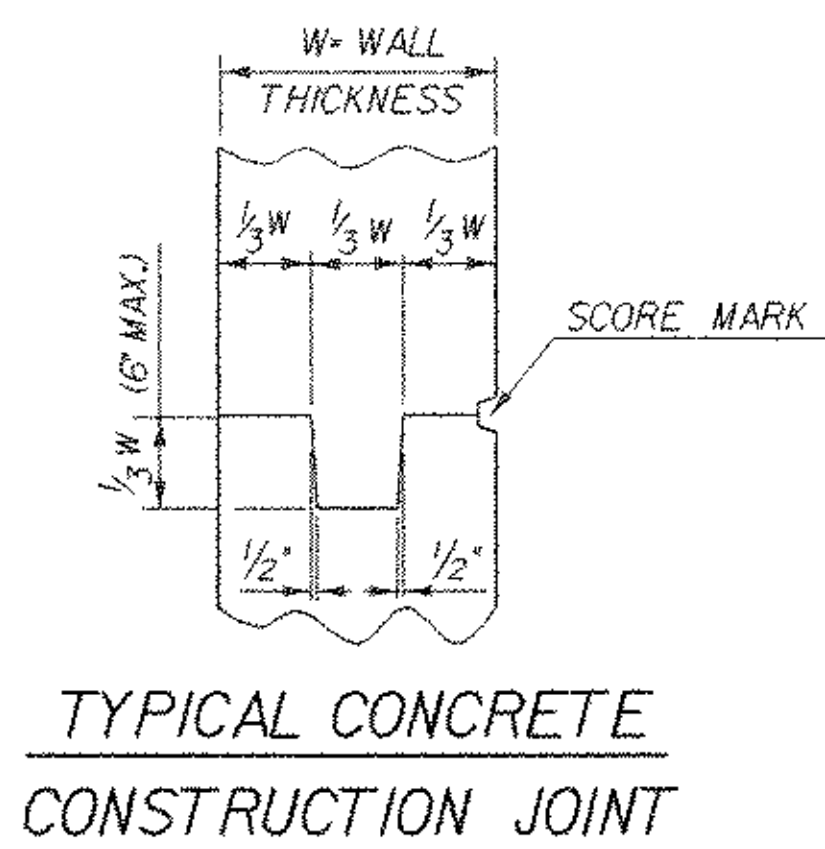
WINGWALL #2 ELEVATION

SCALE 3/8" = 1'-0"
1 0 1 2 3 4

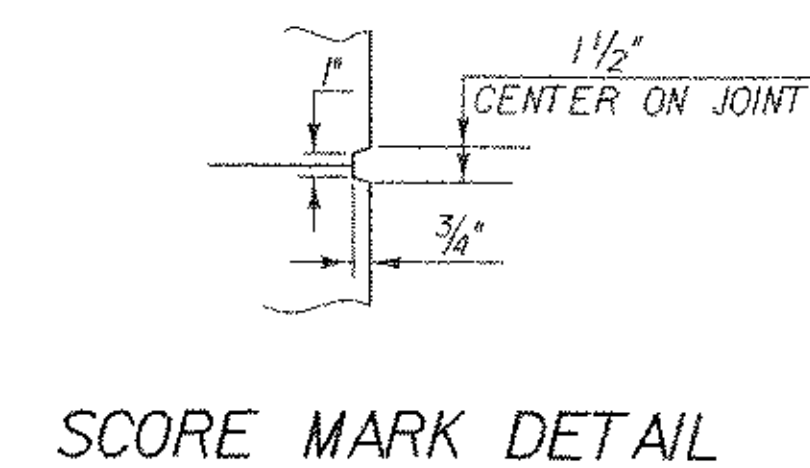


WINGWALL #1 ELEVATION

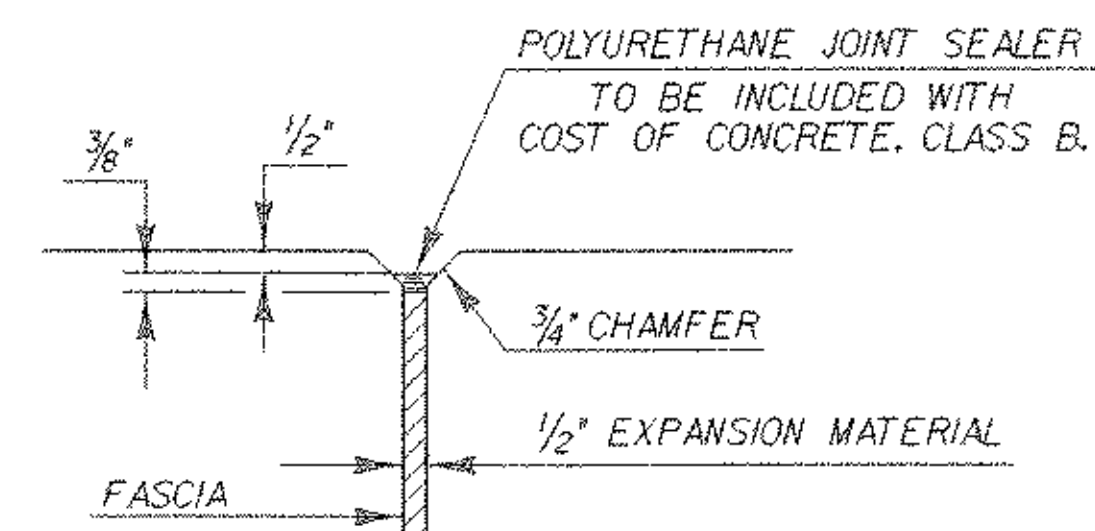
SCALE 3/8" = 1'-0"
1 0 1 2 3 4



**TYPICAL CONCRETE
CONSTRUCTION JOINT**



SCORE MARK DETAIL



**JOINT BETWEEN FASCIA
AND WINGWALL**

NOTES:

1. NF - NEAR FACE
2. FF - FAR FACE
3. EF - EACH FACE
4. ▲ - CUT TO FIT IN FIELD
5. 3" CLR. UNLESS OTHERWISE SPECIFIED ON THE PLANS.
6. LAP SPLICES ARE 2'-2" UNLESS OTHERWISE NOTED.

SHEET NAME: WINGWALL #1 & #2 DETAILS	
PROJECT NAME: READING	HIGHWAY NO.: VT 44
PROJECT NUMBER: BRS 0148(6)S	BRIDGE NO.: 1
	OVER: THE MILL BROOK
FILE NAME: PW/85e034/Structures/se034sub.dgn	PLOT DATE: 17-FEB-2006
PROJECT MANAGER: R. WHITCOMB	DRAWN BY: T. FILLBACH
DESIGNED BY: C. CARLSON	IPARM NAME: se034ww1
BRIDGE SHEET NUMBER:	SHEET 56 OF 83