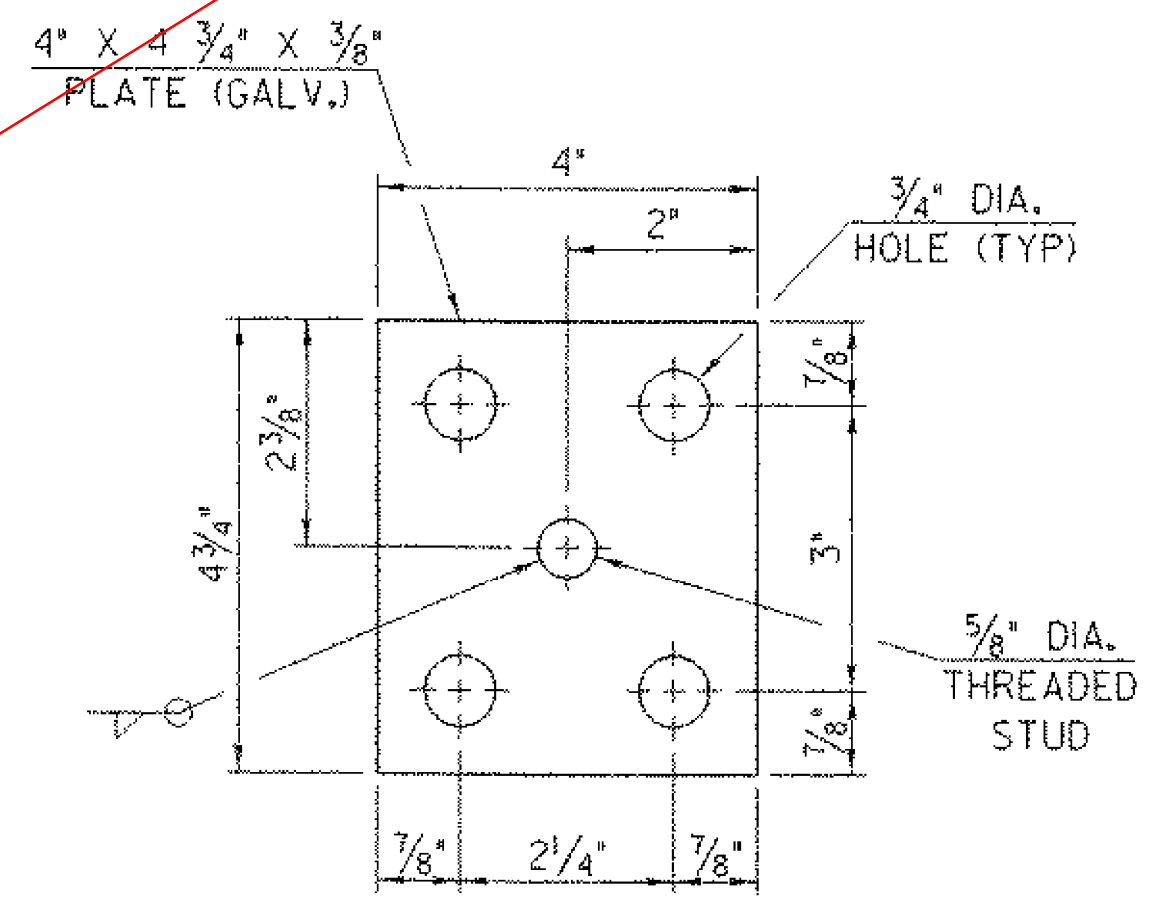
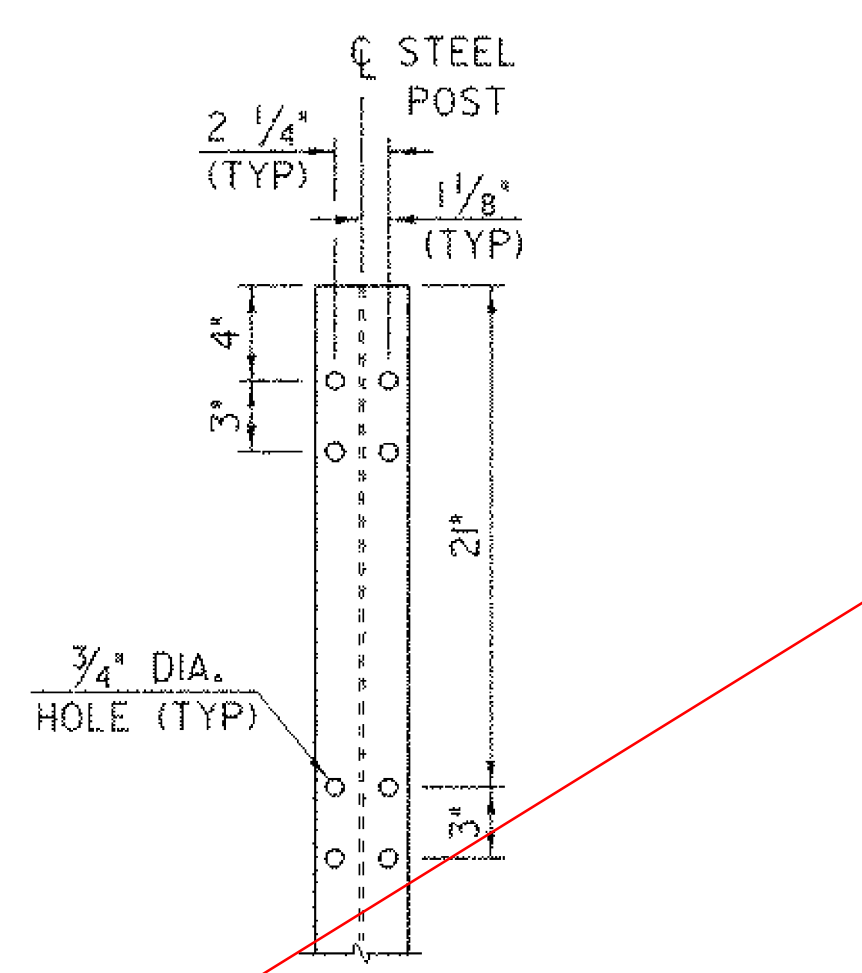
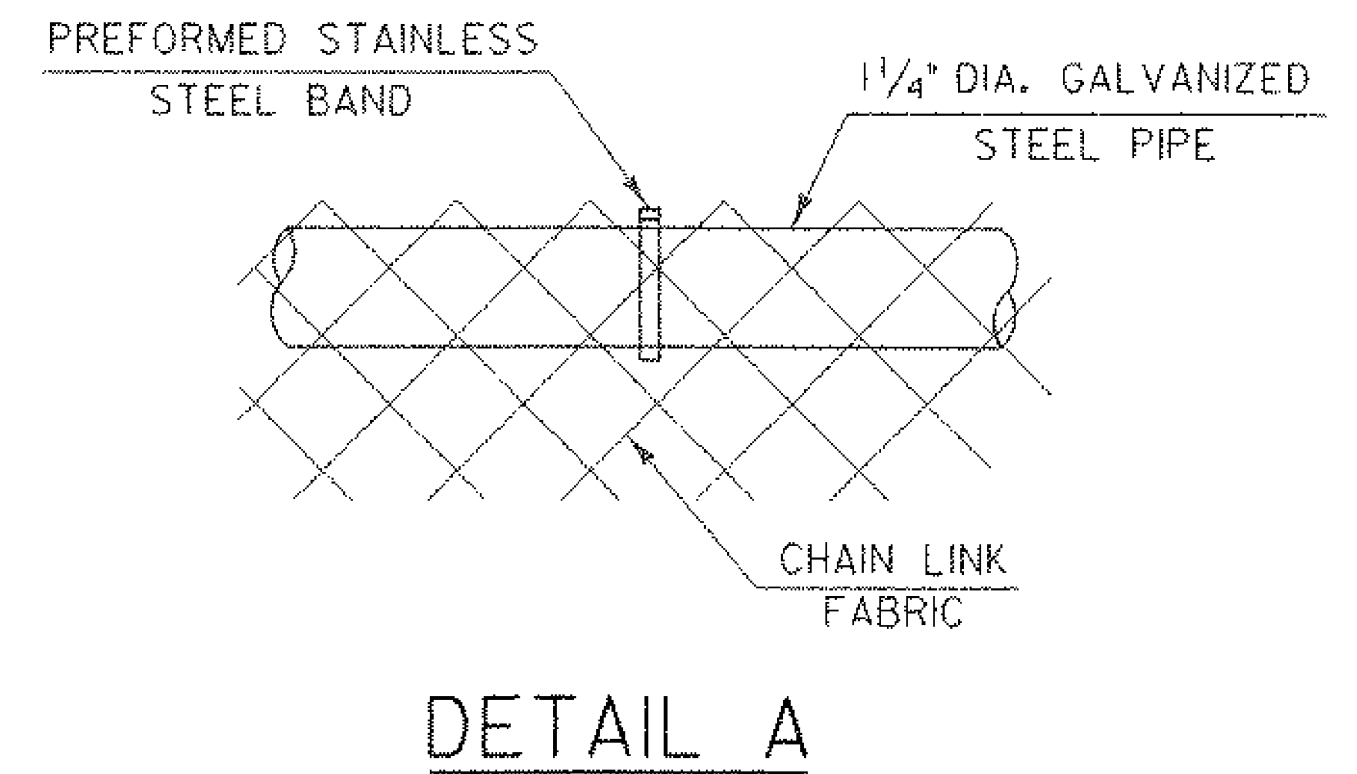


GENERAL NOTES

1. THREADS OF STUDS AND U-BOLTS TO BE 5/8-11 UNC.
2. ALL CONNECTION PLATES TO BE GALVANIZED AFTER FABRICATION.
3. 1 1/4" PIPE LENGTH SHALL BE FIELD CUT TO FIT POST SPACING.
4. CHAIN LINK FABRIC TO BE KNUCKLED TOP AND BOTTOM.
5. ALL BOLTS, NUTS AND WASHERS SHALL CONFORM TO THE SPECIFICATIONS FOR ASTM A307.
6. ALL STEEL PLATES SHALL CONFORM TO THE SPECIFICATION FOR AASHTO M270 GRADE 36.
7. ALL GALVANIZING SHALL CONFORM TO THE REQUIREMENTS OF AASHTO M-181 WITH HARDWARE AND FITTINGS CONFORMING TO THE REQUIREMENTS OF AASHTO M-III OR AASHTO M-232 WHICHEVER IS APPLICABLE. ALL BOLTS, NUTS AND WASHERS SHALL BE EITHER HOT-DIP GALVANIZED IN ACCORDANCE WITH THE ABOVE AASHTO REQUIREMENTS OR MECHANICALLY GALVANIZED USING A MECHANICALLY DEPOSITED PROCESS CONFORMING TO THE REQUIREMENTS OF AASHTO M-298, CLASS II.
8. GALVANIZED CHAIN-LINK FABRIC SHALL BE TYPE I (ZINC) CLASS D AS SPECIFIED IN AASHTO M-181.
9. ALL REFERENCES TO THE DIAMETERS OF GALVANIZED STEEL PIPE SHALL REFER TO THE OUTSIDE DIAMETER (O. D.).

DETAILS ON THIS SHEET NOT TO SCALE
ALL DIMENSIONS IN INCHES
UNLESS OTHERWISE NOTED



SHEET NAME: SNOW BARRIER DETAILS	
PROJECT NAME: READING	HIGHWAY NO.: VT 44
PROJECT NUMBER: BRS 0148(6)S	BRIDGE NO.: 1
	OVER: THE MILL BROOK
FILE NAME: PW/85e034/structures/se034rad.dgn	PLOT DATE: 17-FEB-2006
PROJECT MANAGER: R. WHITCOMB	DRAWN BY: G. ROY
DESIGNED BY: C. CARLSON	IPARM NAME: se034ra3.1
BRIDGE SHEET NUMBER:	SHEET 51A OF 83