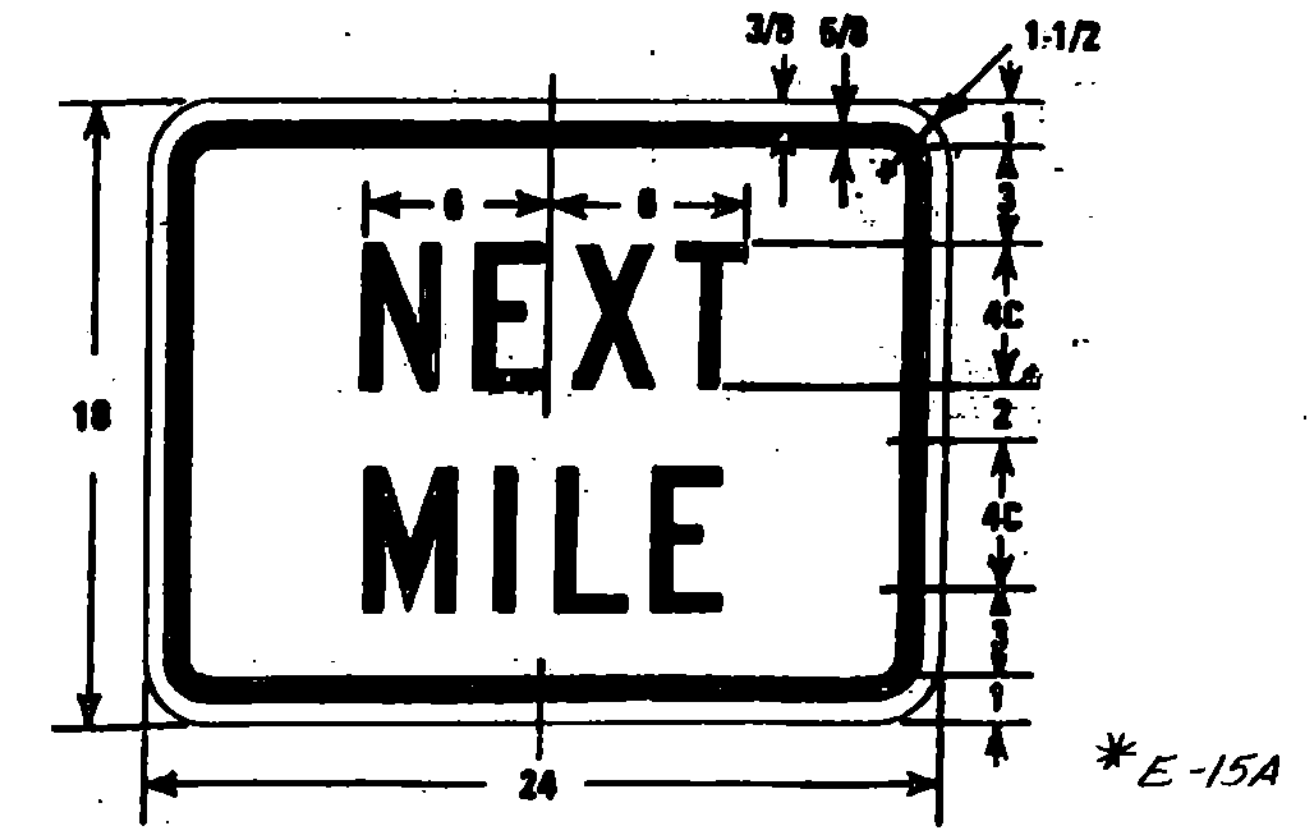
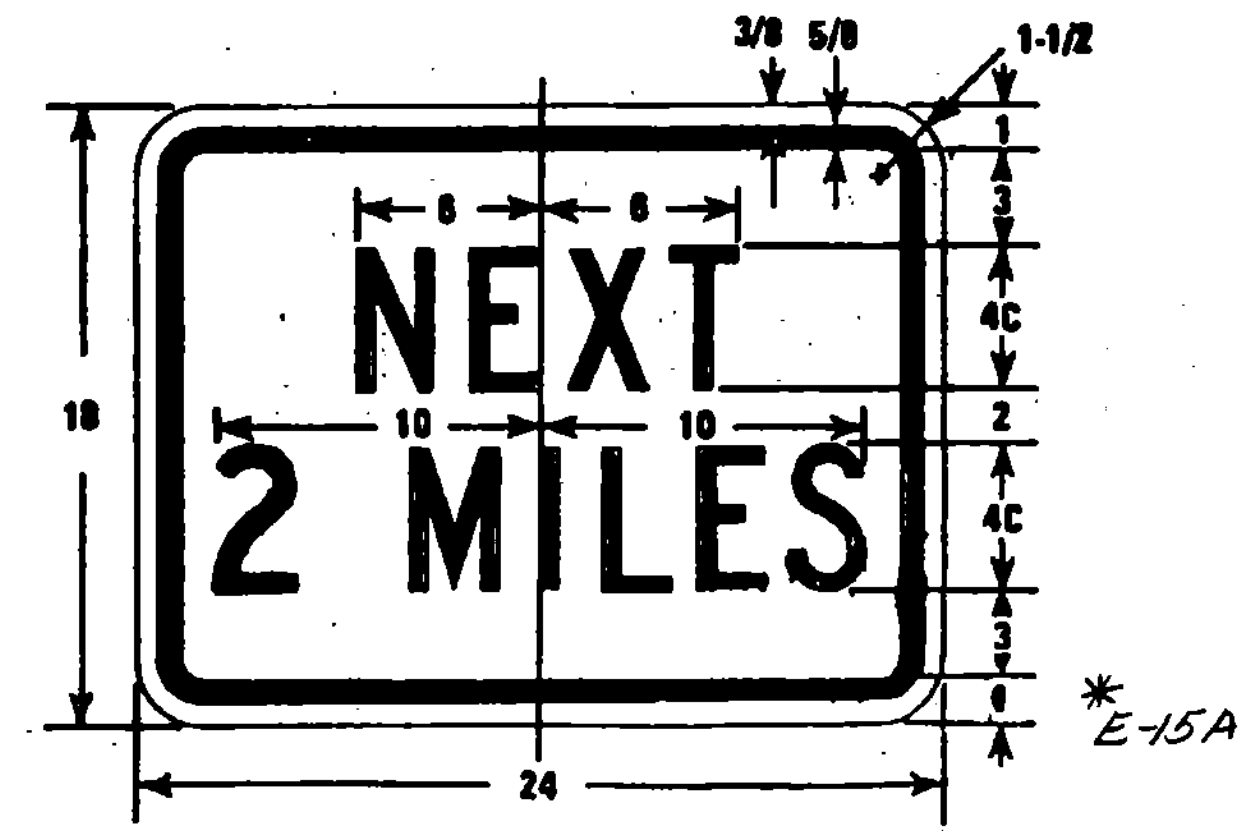
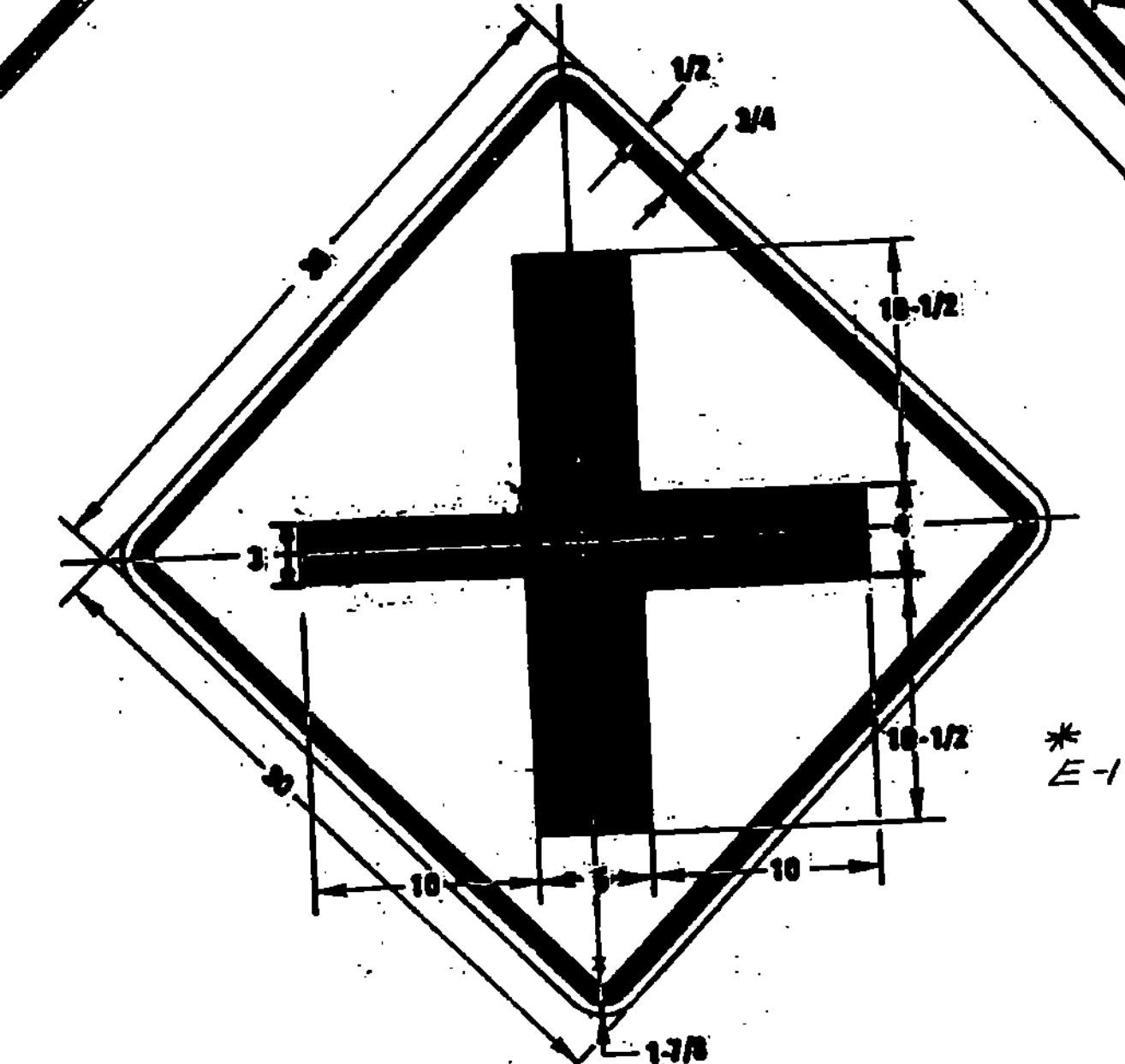
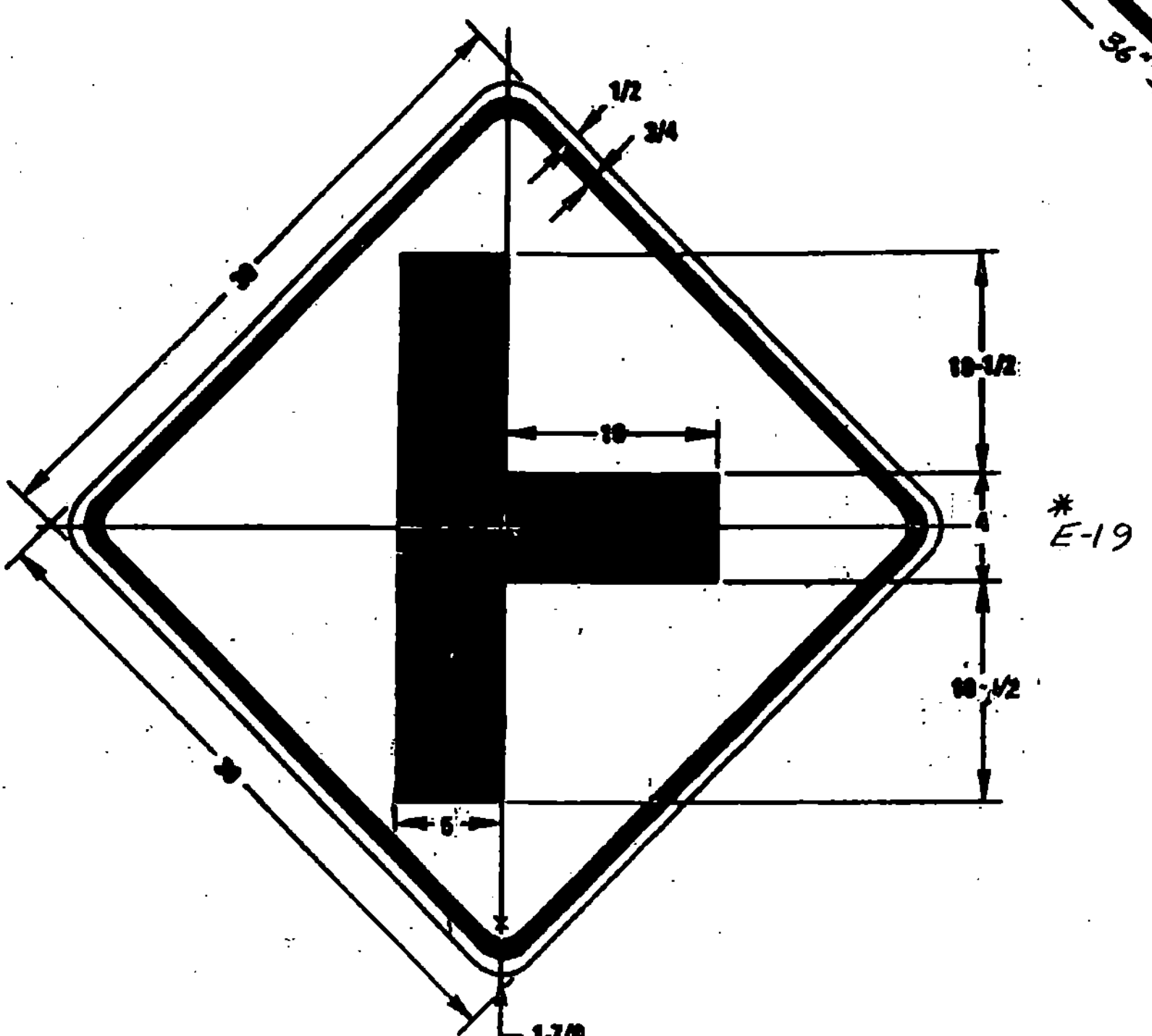
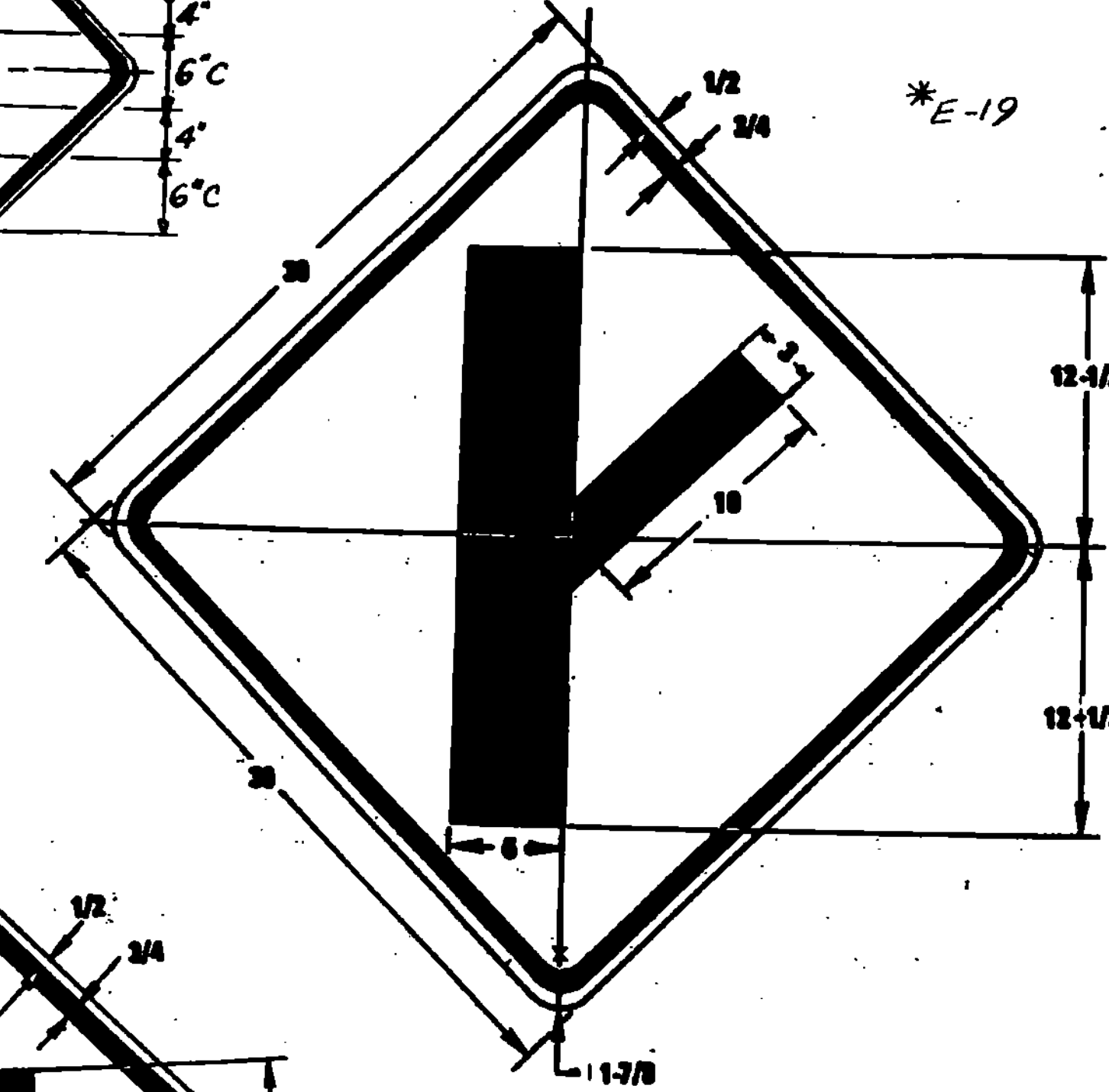
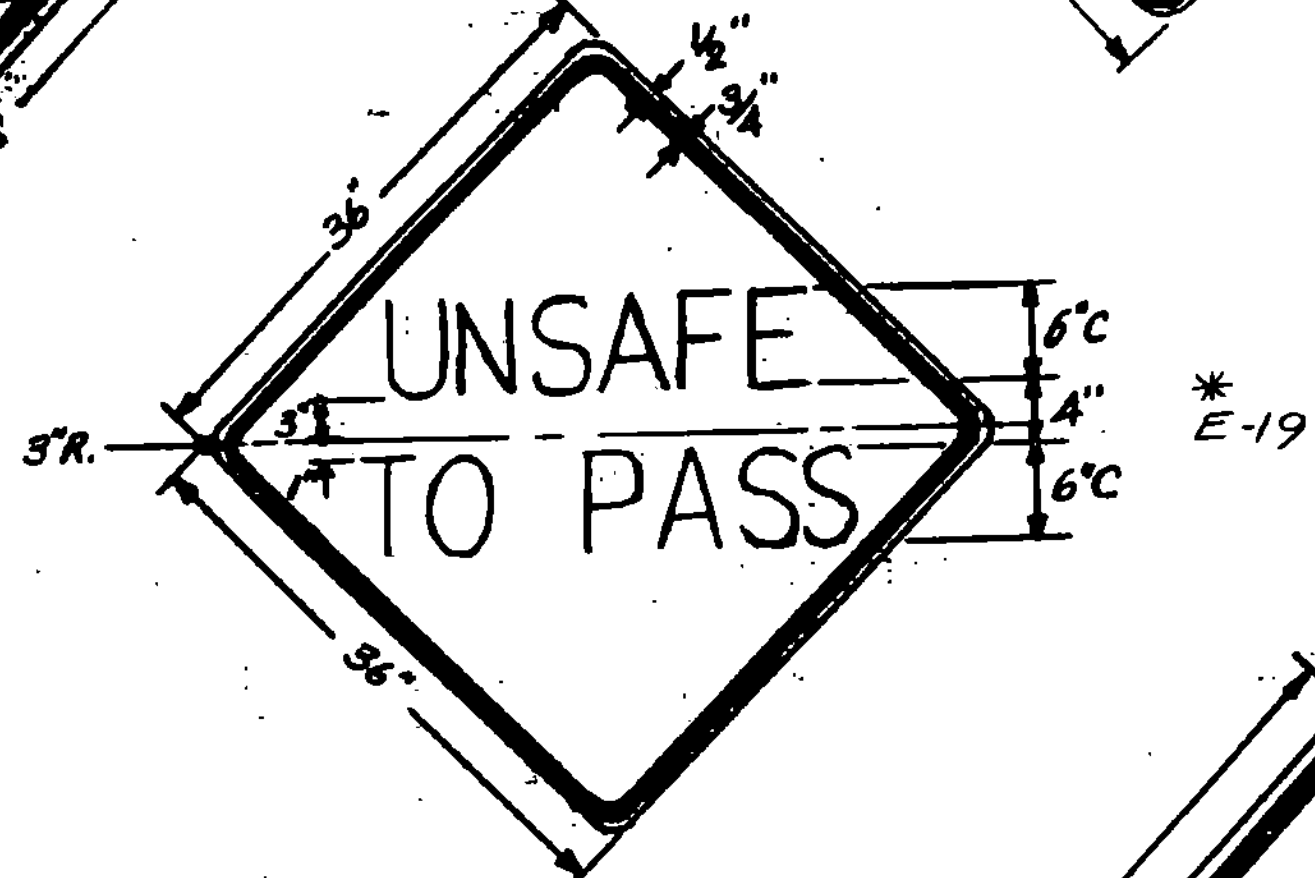
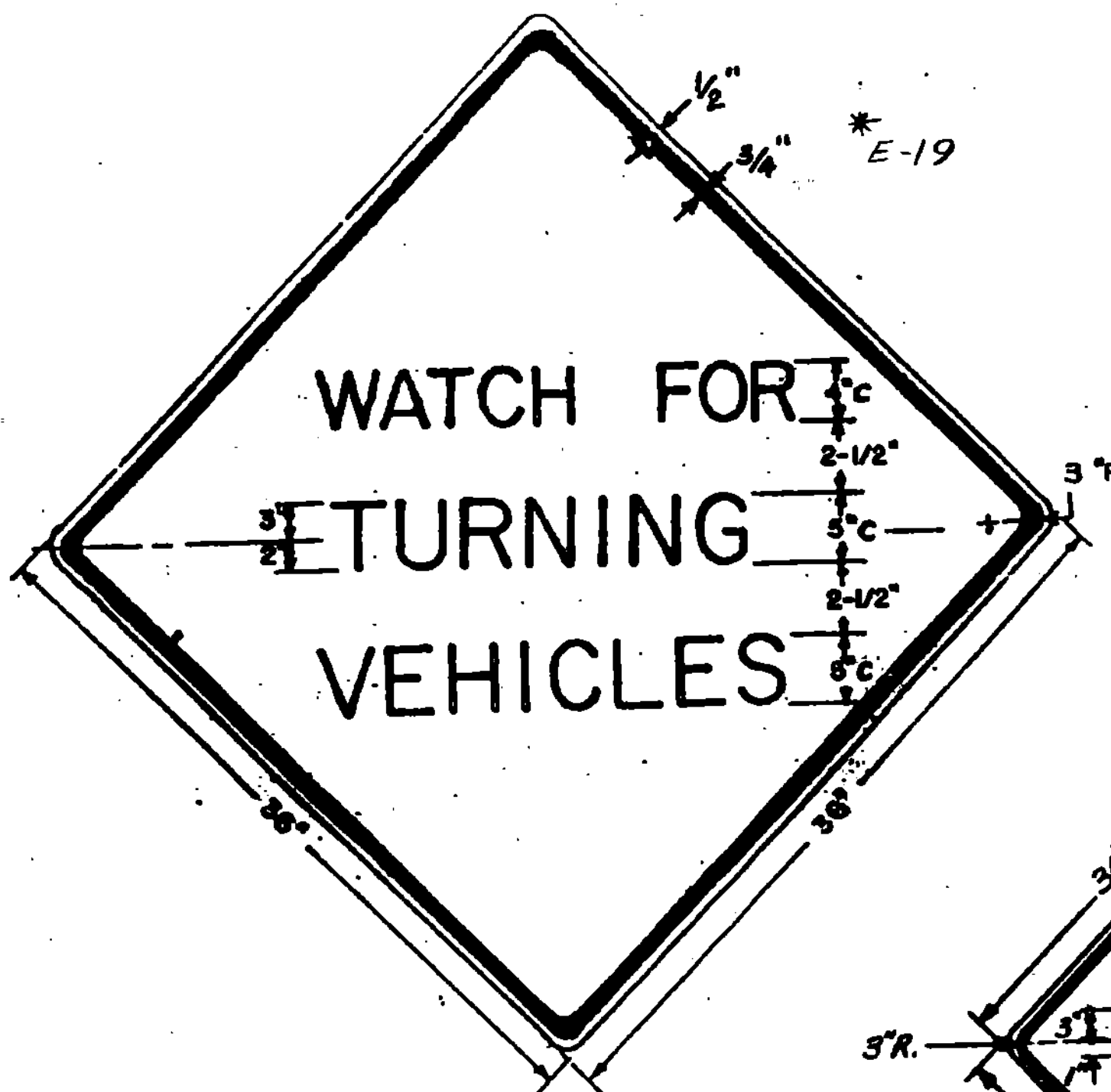
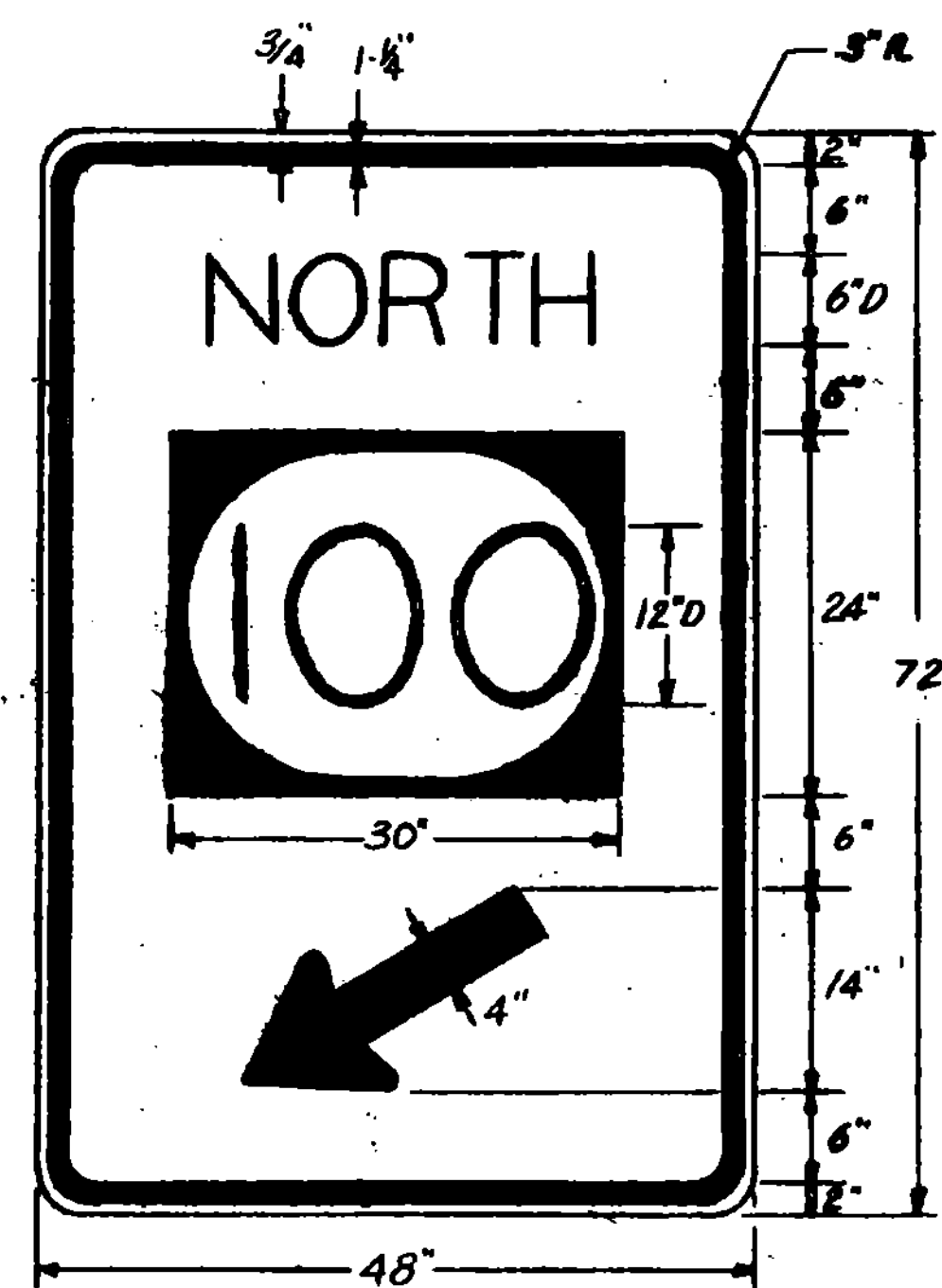
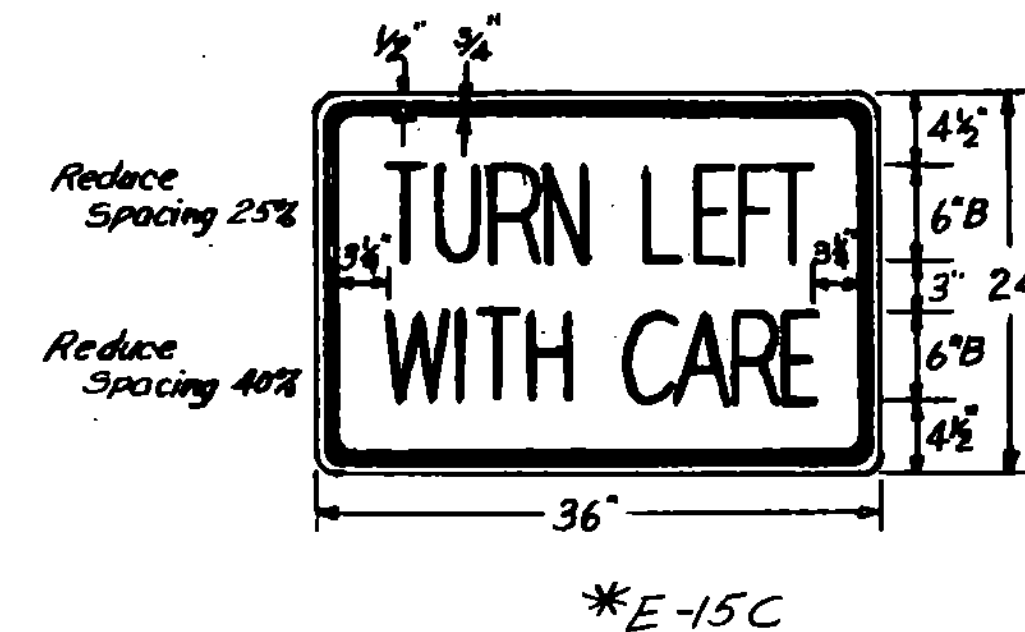
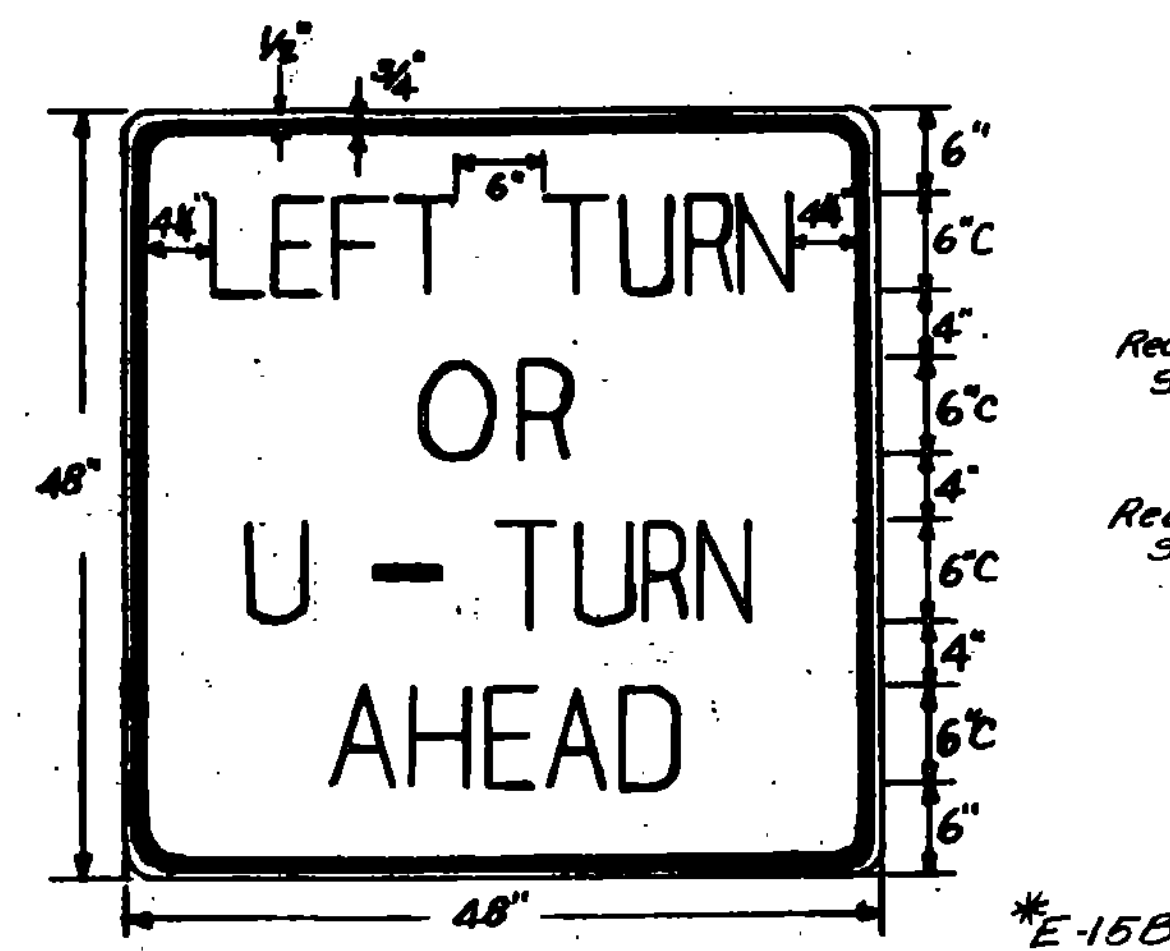
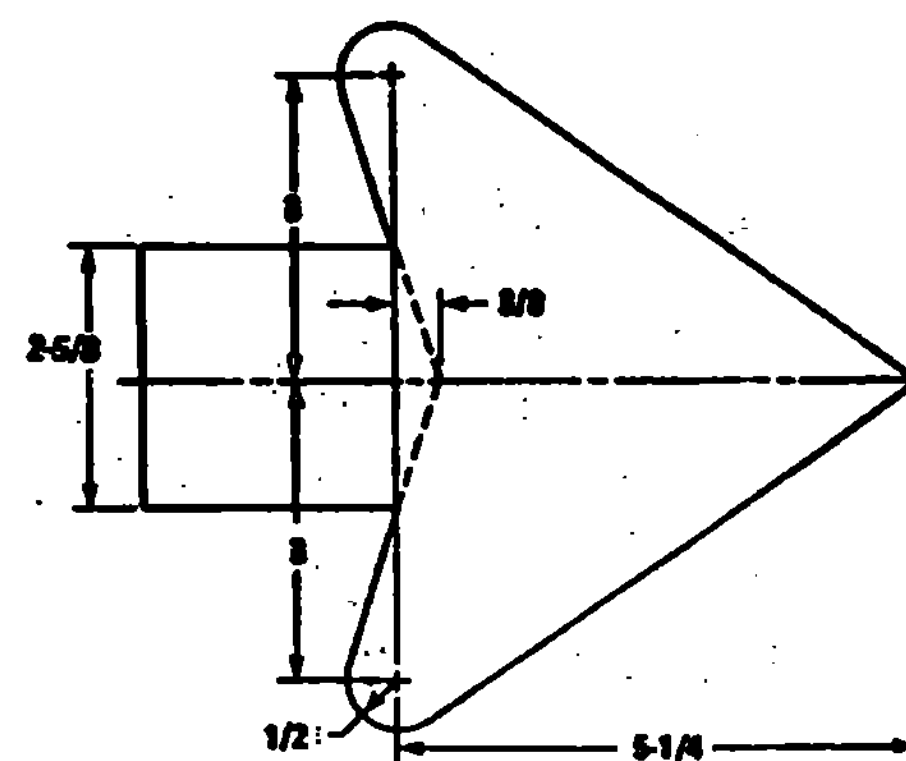
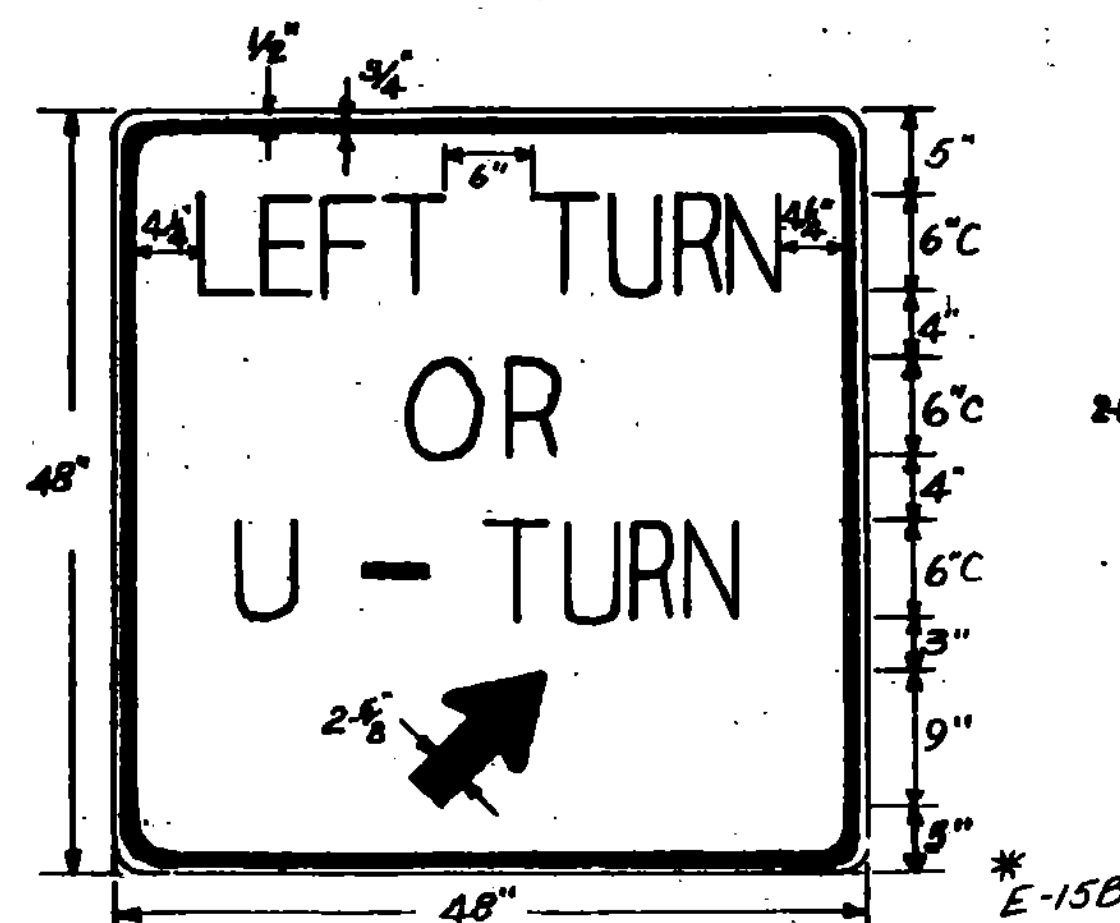


For Materials, See Standard \*E-

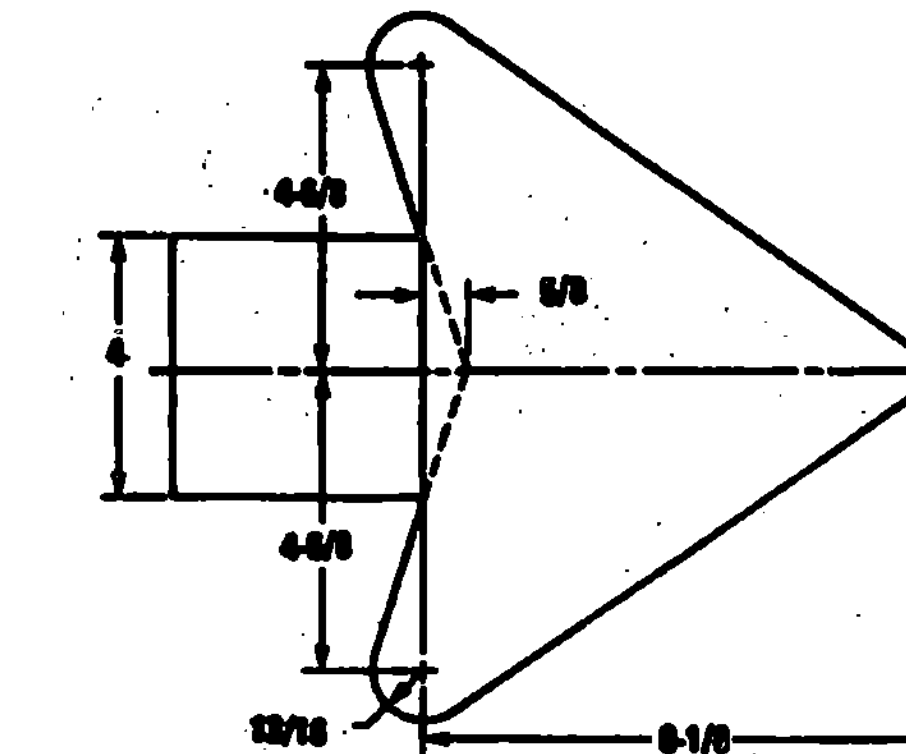


**COLORS**  
**LEGEND** - BLACK (NON-REFL)  
 BACKGROUND - YELLOW (REFL)

**COLORS**  
**LEGEND** - BLACK (NON-REFL)  
 BACKGROUND - WHITE (REFL)



\* FLAT SHEET ALUMINUM - 0.125"  
 HIGH DENSITY OVERLAP PLYWOOD - 3/8"  
 GALVANIZED FLAT SHEET STEEL - 12 GAUGE



SURVEYED BY \_\_\_\_\_ DATE \_\_\_\_\_  
 DRAWN BY J.B. DATE 3-26  
 TRACED BY \_\_\_\_\_ DATE \_\_\_\_\_  
 MENDON ~ SHERBURNE  
 PROJ. STATEWIDE NO. F-SFTY (85)S  
 TRAFFIC SHEET NO. 70.537 SHEET 133 OF 200