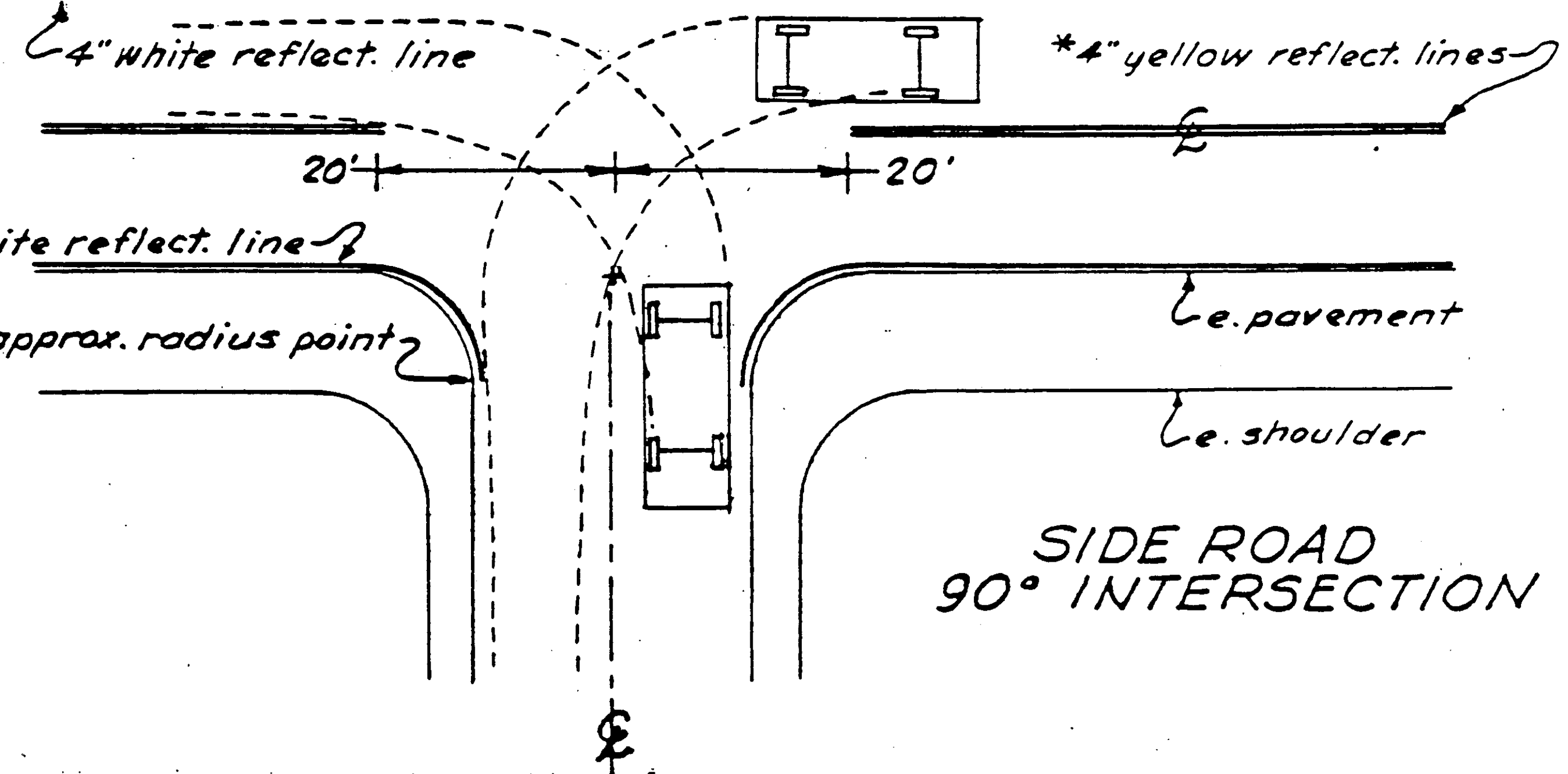


SIDE ROAD

e. shoulder

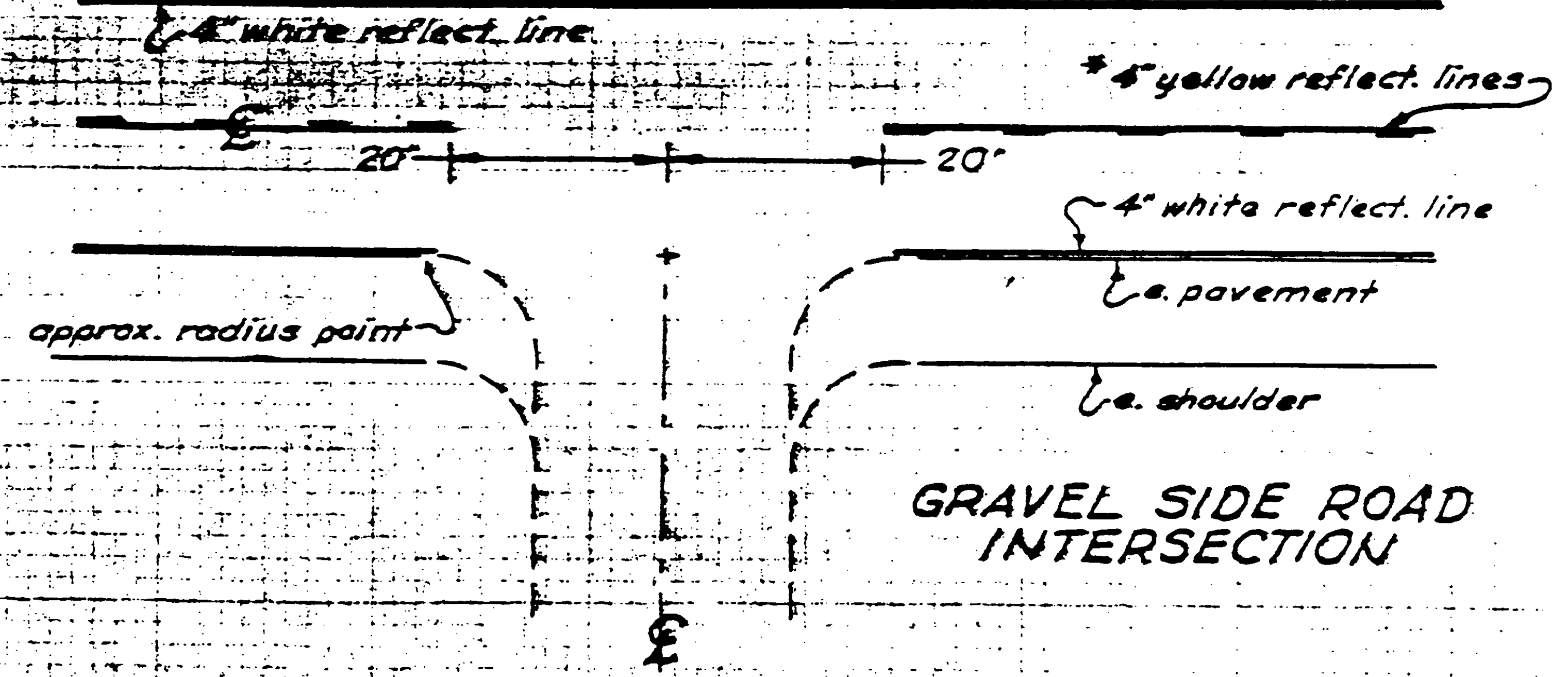
e. pavement



* Centerline treatment shall consist of a minimum of 400 feet of solid line in advance of the intersection and shall be paired with either a solid or dashed line depending on sight distance availability in the opposing lane.

e. shoulder

e. pavement



4" white reflect. line

e. pavement

e. shoulder

GRAVEL SIDE ROAD INTERSECTION