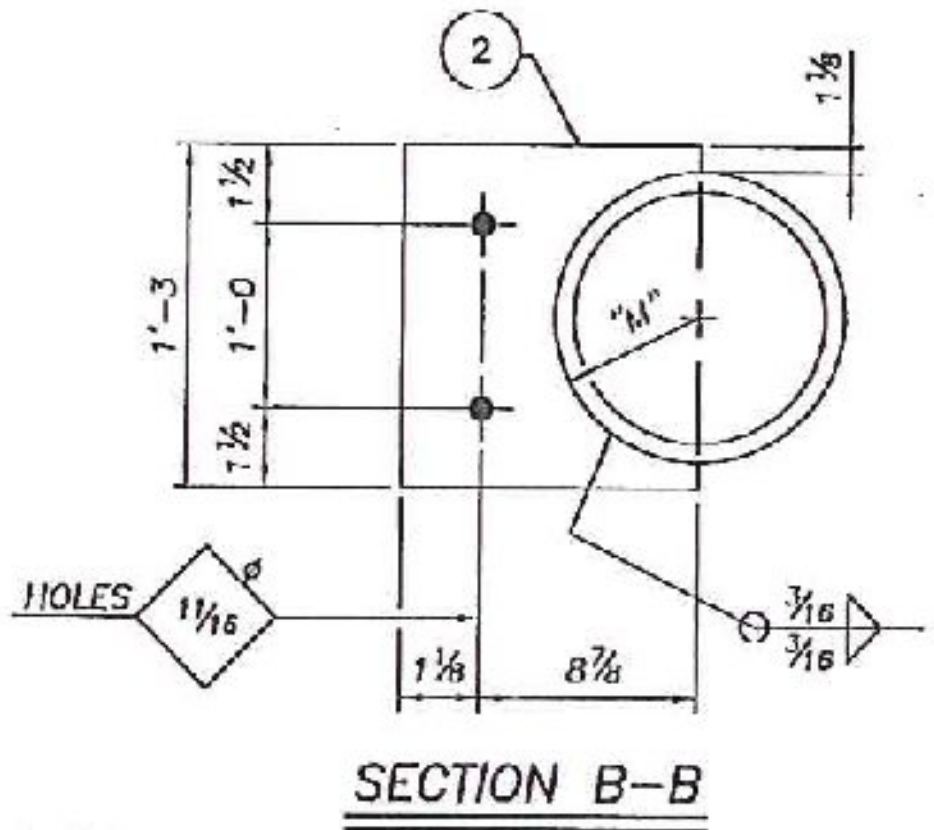
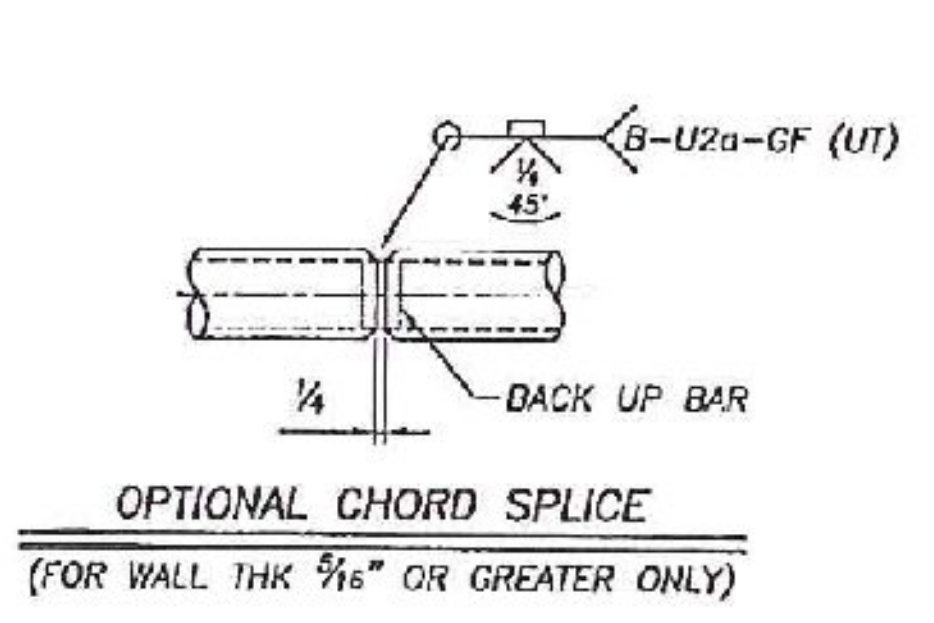
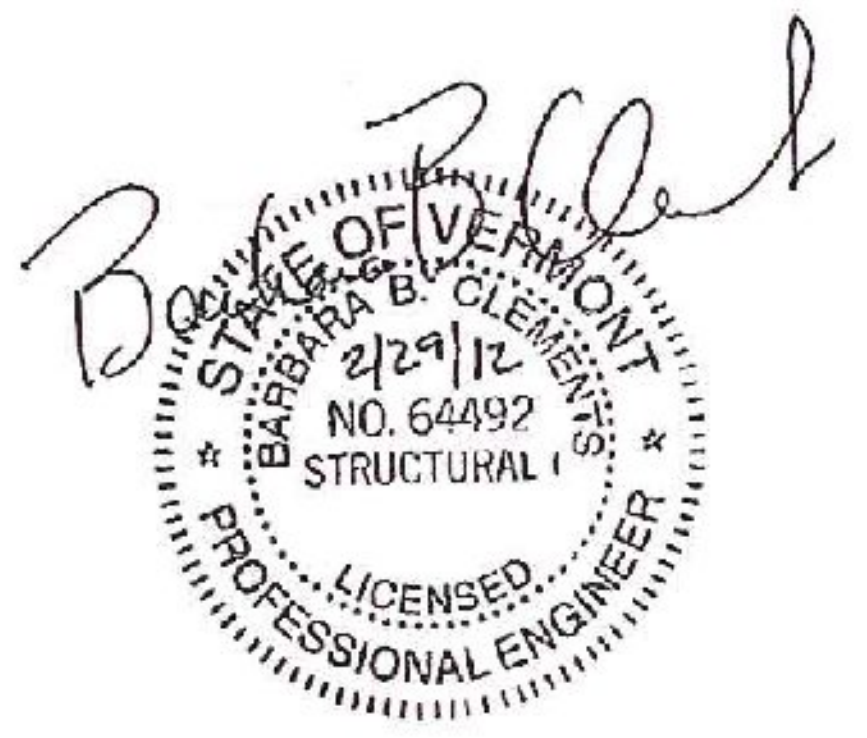
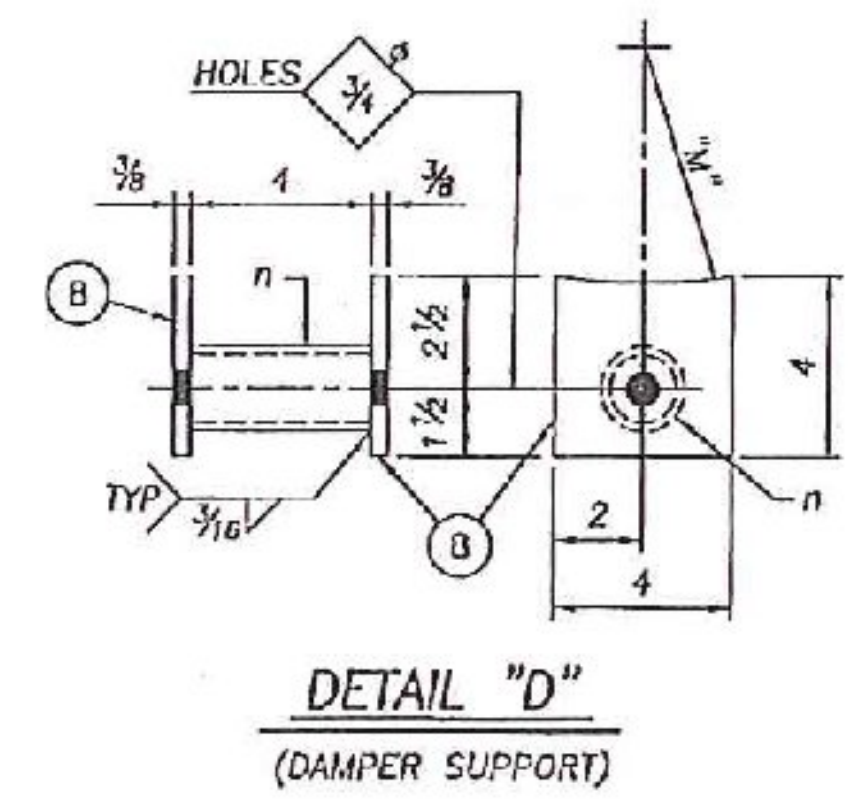
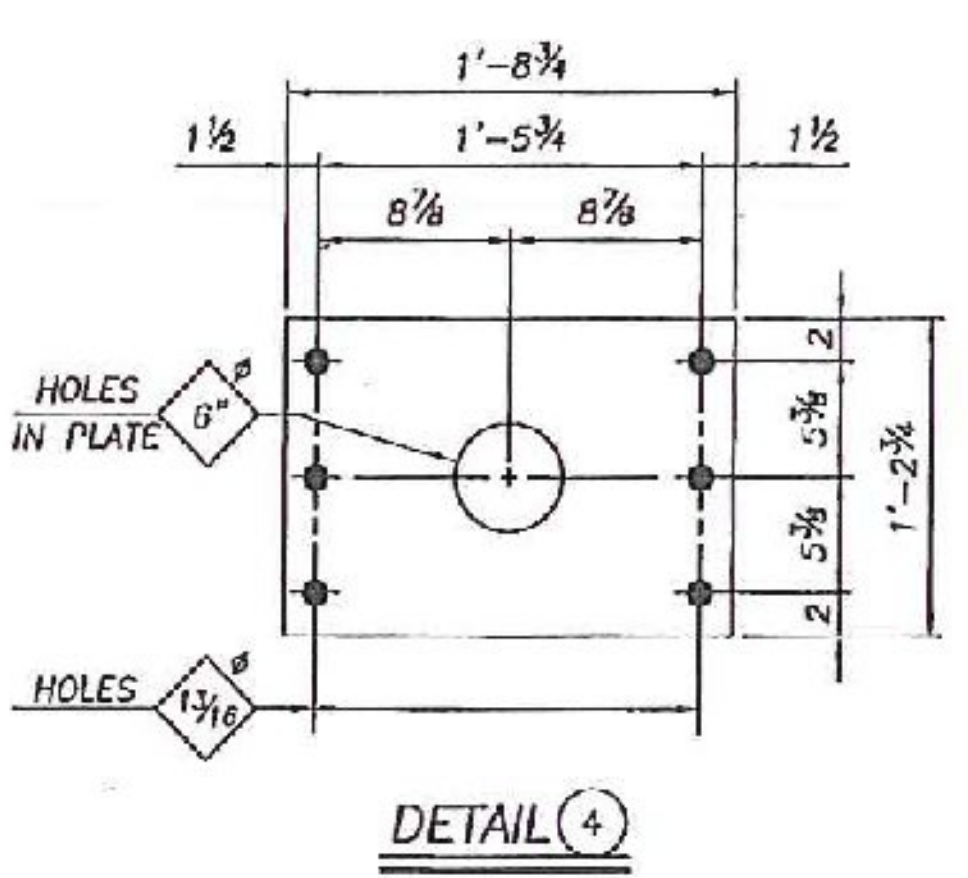
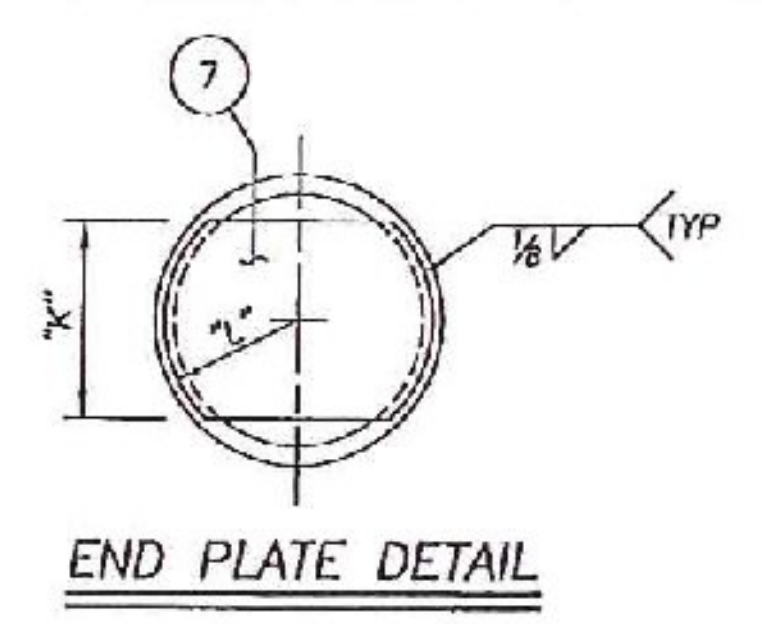
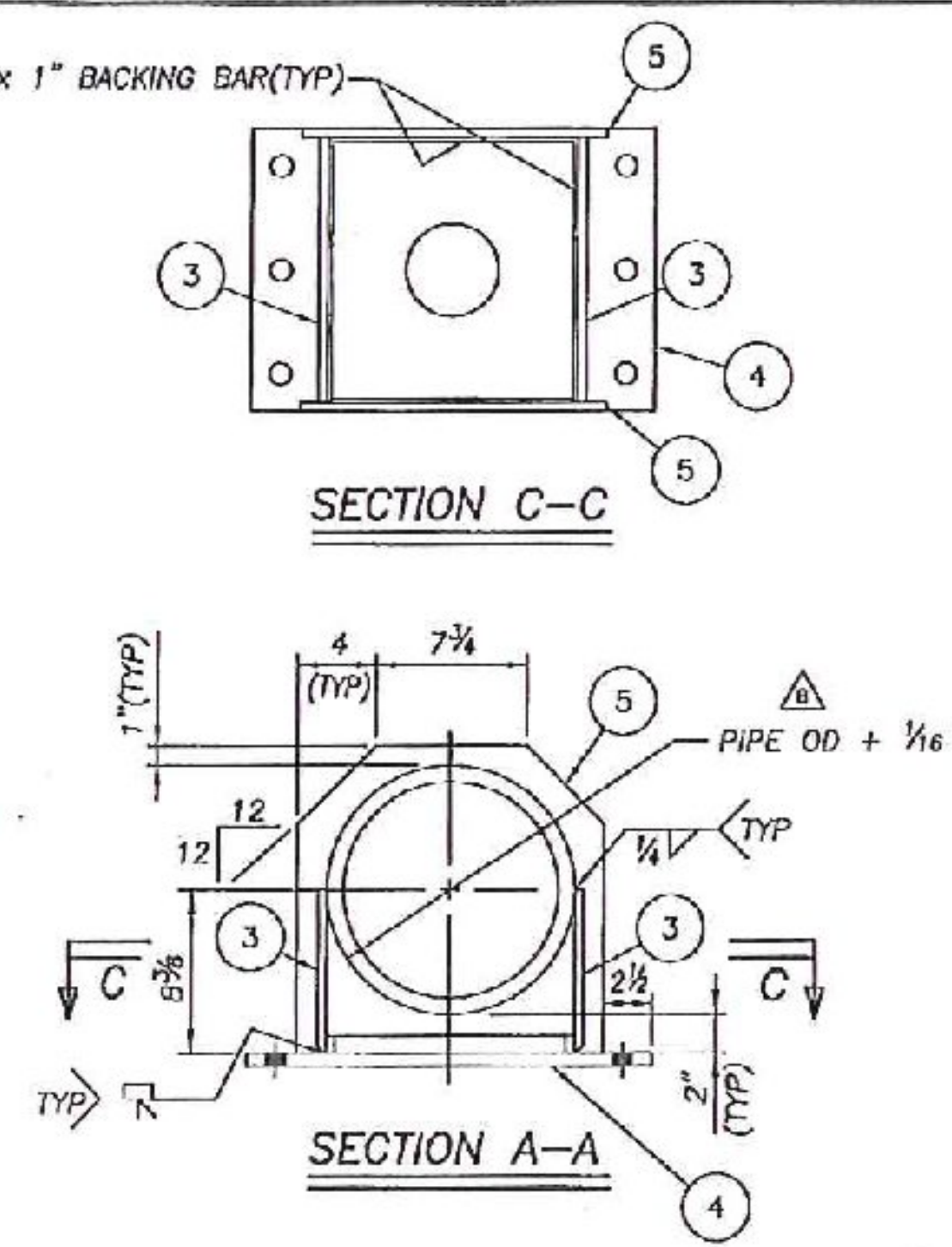


				C1181-4		
PARTS LIST	PART NO.	NO OF	SECTION	DESCRIPTION OF MATERIAL	LENGTH	
					FEET	INCHES
BEAM						
4B1	1					
a	1	PIPE		12.750 x .250	30	10 3/16
b	4	PL		1/2 x 10	1	.3
d	2	PL		1/2 x 8 3/8	1	1 3/4
f	1	PL		1 1/4 x 14 3/4	1	8 3/4
g	2	PL		1/2 x 15 1/4	1	3 3/4
h	1	PL		1/2 x 18 1/4 DIA	-	-
k	1	PL		1/2 x 10 1/4	1	0 1/2
m	2	PL		3/8 x 4	0	4
n	1	PIPE		1.800 x .145	0	1
z1	3	OP		1 1/4 EX HVY HALF COUPLING	-	-
BEAM						
4B2	1					
aa	1	PIPE		12.750 x .250	30	10 3/16
d	2	PL		1/2 x 8 3/8	1	1 3/4
f	1	PL		1 1/4 x 14 3/4	1	8 3/4
g	2	PL		1/2 x 15 1/4	1	3 3/4
h	1	PL		1/2 x 18 1/4 DIA	-	-
k	1	PL		1/2 x 10 1/4	1	0 1/2
z1	1	OP		1 1/4 EX HVY HALF COUPLING	-	-

BEAM CHART

STATION #	MARK	QTY	VIEW	"A"	"B"	"C"	"D"	"E"	"F"	"G"	"H"	"I"	"J"	"K"	"L"	"M"
137+71.4	4B1	1	RIGHT	30'-10 3/16"	1'-3 3/4"	12	1	15'-8 3/8"	20'-8 3/8"	25'-4 3/8"	29'-4 3/8"	-----	10 3/4"	6 1/4"	6 3/8"	
137+71.4	4B2	1	OPPHAND	30'-10 3/16"	1'-3 3/4"	12	1	-----	-----	-----	-----	-----	-----	10 3/4"	6 1/4"	---

MARK	"T"	"U"	"V"	1	2	3	4	5	6	7	8	9
4B1	2'-0"	10'-2 3/8"	27'-4 3/8"	a	b	d	f	g	h	k	m	z1
4B2	2'-0"	-----	-----	aa	--	d	f	g	h	k	--	z1



MATERIAL SPEC'S.

- ARMS - STEEL PIPE SHALL MEET THE FOLLOWING SPECIFICATIONS WITH THE PROPERTIES (52 KSI MIN. YIELD, 60 KSI MIN. ULTIMATE TENSILE AND MIN. ELONGATION EQUAL TO 20% IN 2 IN.), API-5L-X52, API-5L-X42, API-5L-X60, ASTM A252 GR. 3, ASTM A500 GR. B/C, OR ASTM A53 GR. B, (YIELD STRENGTH SHALL NOT EXCEED 82 KSI).
- PLATES - ASTM A572, GR. 50
- GALV. - ASTM A123
- PAINT - PER WALPAR COATING SYSTEM #3 - COLOR BLACK
- WELD - AWS SPEC. D1.1 - LATEST REV.
- ALL PIPE SIZES ARE OUTSIDE DIAMETER

REF DWG: E1 AASHTO 5th Edition Spec's

Walpar, LLC

STATE: Vermont
 PROJECT: Barre City
 PROJ No: FECC F 026-1(34) C/2
 COUNTY: Washington
 ROUTE: US-302

SUBJECT: SINGLE PLANE SUPPORTS
 DETAIL OF ARMS

FOR: F.R. Lafayette, Inc.

POST OFFICE BOX 28650
 BIRMINGHAM ALABAMA 35228
 4200 JEFFERSON AVENUE
 BIRMINGHAM ALABAMA 35221
 PHONE (205)-925-4990
 FAX (205) 925-7273

DRAWN BY: JLS DATE: 8/18/11
 CHECKED BY: RRW DATE: 8/22/11
 RELEASE FOR CONSTRUCTION: DWG NO: C1181-4

NO.	REVISIONS	DATE	MADE	CHECKED
1	FOR APPROVAL	2/27/12	JLS	BGC