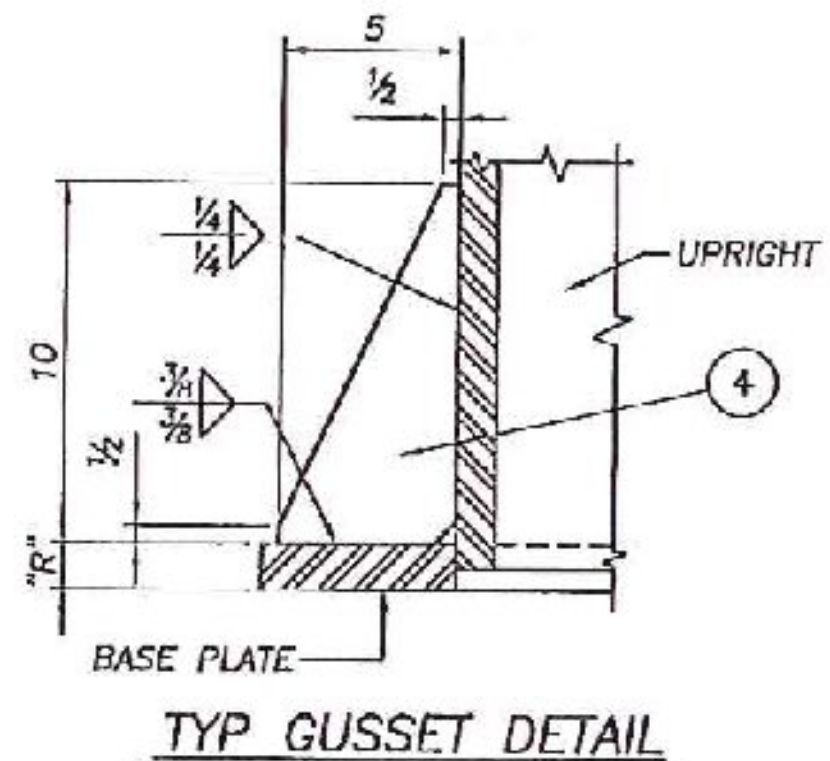
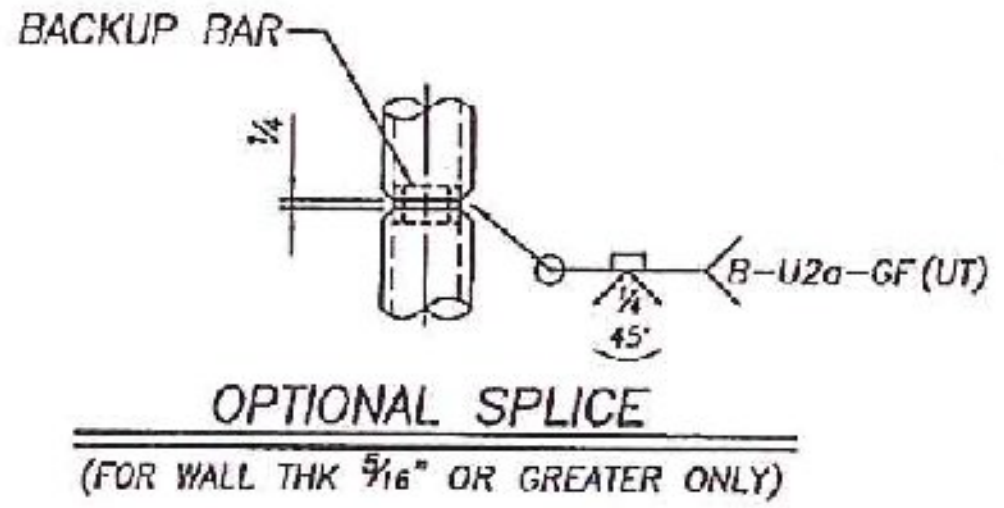
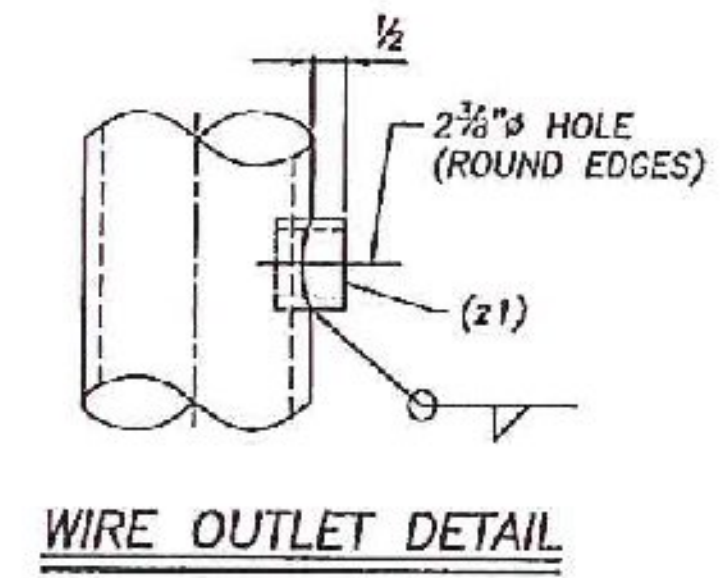
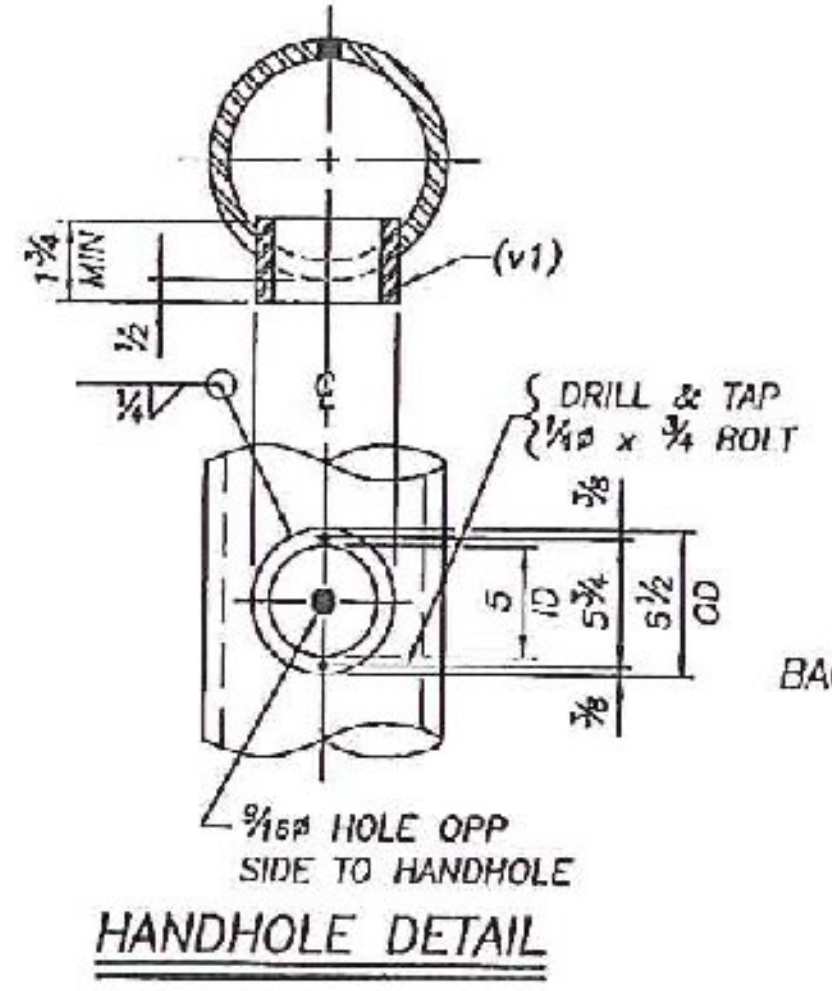
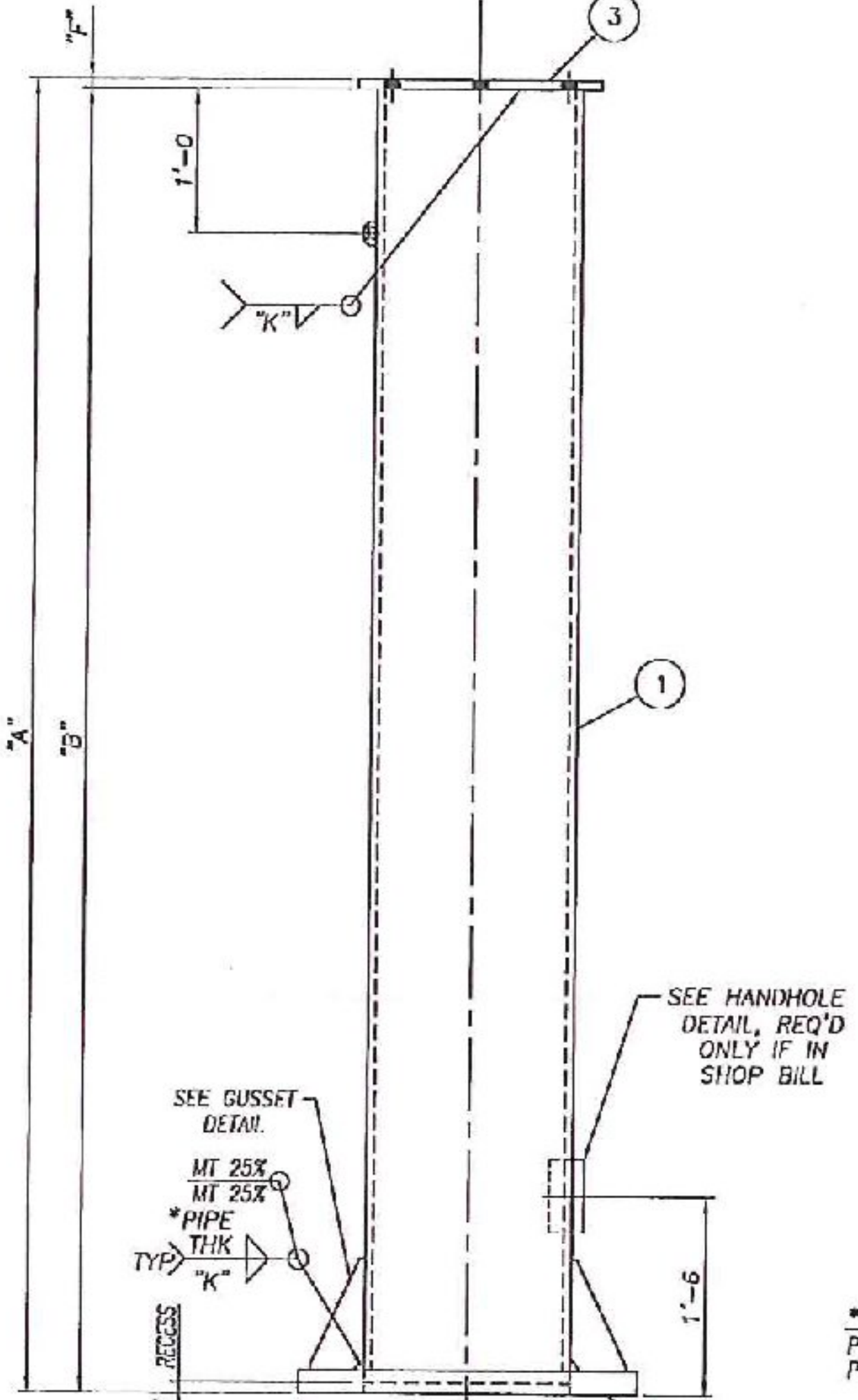


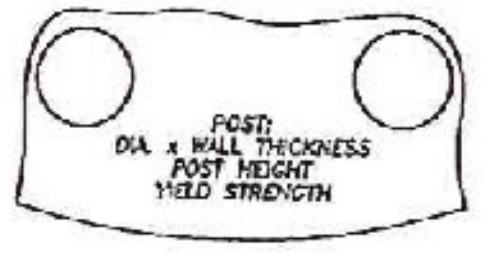
STATION #	MARK	QTY	"A"	"B"	"C"	"D"	"E"	"F"	"G"	"H"	"J"	"K"	"N" DIA	"P"	"R"
137+71.4	3C1	1	20'-3 1/8"	20'-1 1/8"	1'-2 3/4"	1'-0 3/4"	8 3/8"	1 1/4"	5 3/8"	6 3/8"	1'-6 3/4"	3/16"	8 1 1/4"	2 1/2"	1 1/4"
137+71.4	3C2	1	20'-3 1/8"	20'-1 1/8"	1'-2 3/4"	1'-0 3/4"	8 3/8"	1 1/4"	5 3/8"	6 3/8"	1'-6 3/4"	3/16"	8 1 1/4"	2 1/2"	1 1/4"

MARK	"S"	①	②	③	④
3C1	1'-0 13/16"	a	b	d	f
3C2	1'-0 13/16"	a	b	d	f

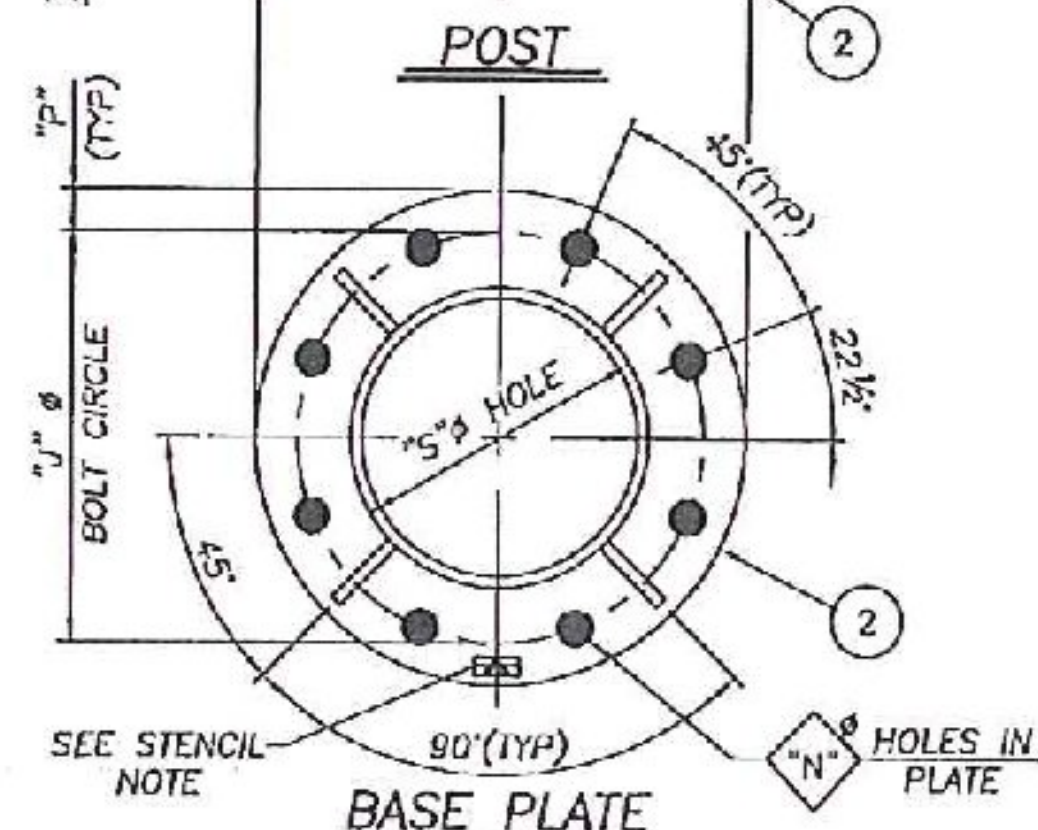
						C1181-3	
PARTS PER CONT.	PART MARK	NO OF PARTS REQ'D	SYMBOL	DESCRIPTION OF MATERIAL	LEVEL		PARTS FOR ONE UNIT
					FEET	POLES	
	3C1	1		POST			
	a	1	PIPE	12.750 x .250	20	1 1/2	
	b	1	PL	1 1/4 x 23 3/4 DIA			
	d	1	PL	1 1/4 x 14 3/4	1	8 3/4	
	f	4	PL	1/2 x 5	0	10	
	3C2	1		POST			
	a	1	PIPE	12.750 x .250	20	1 1/2	
	b	1	PL	1 1/4 x 23 3/4 DIA			
	d	1	PL	1 1/4 x 14 3/4	1	8 3/4	
	f	4	PL	1/2 x 5	0	10	



STENCIL NOTE:
BASE PLATES SHALL BE STENCILED WITH THE POST DIAMETER AND WALL THICKNESS, POST HEIGHT, AND YIELD STRENGTH. ALL LETTERING SHALL BE 1/4" SIZE WITH SINGLE SPACES BETWEEN THE LINES AND WILL NEED THE ABOVE DATA STENCILED ON THE BASE PLATE AS SHOWN BELOW.

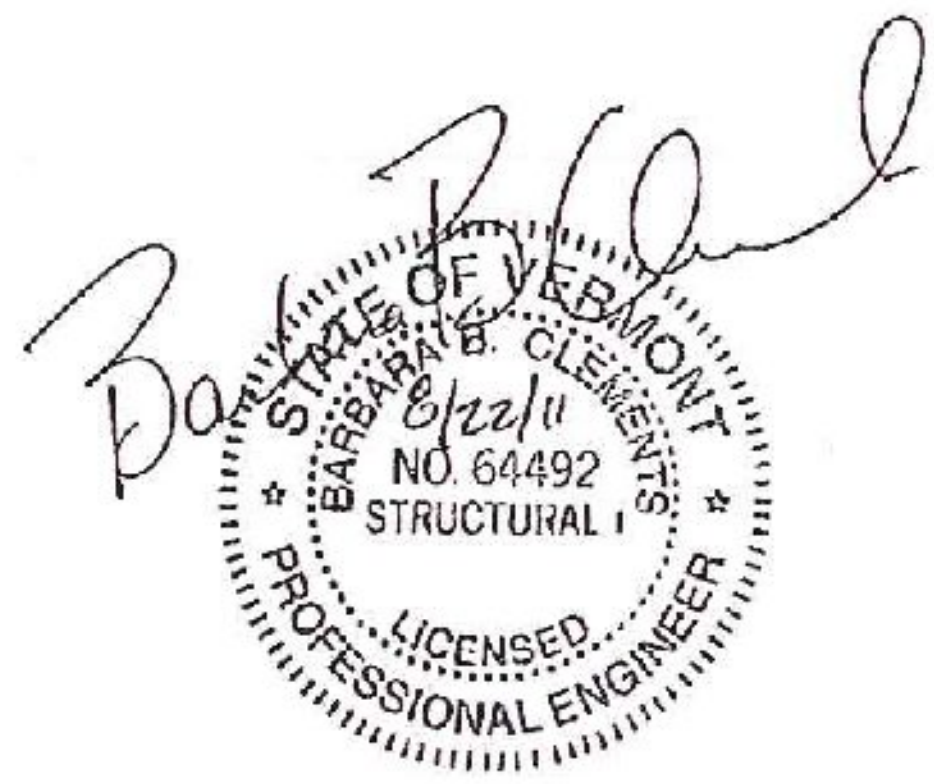


* NOTE:
PIPE THK - 1/8" FOR PIPE WALLS > 1/4"



MATERIAL SPEC'S.

- UPRIGHTS - STEEL PIPE SHALL MEET THE FOLLOWING SPECIFICATIONS WITH THE PROPERTIES (52 KSI MIN. YIELD, 60 KSI MIN. ULTIMATE TENSILE AND MIN. ELONGATION EQUAL TO 20% IN 2 IN.). API-5L-X52, API-5L-X42, API-5L-X60, ASTM A252 GR. 3, ASTM A500 GR. B/C, OR ASTM A53 GR. B (YIELD STRENGTH SHALL NOT EXCEED 82 KSI).
- PLATES - ASTM A572, GR. 50
- GALV. - ASTM A123
- PAINT - PER WALPAR COATING SYSTEM #3 - COLOR BLACK
- WELD - AWS SPEC. D1.1 - LATEST REV.
- ALL PIPE SIZES ARE OUTSIDE DIAMETER.



REF DWG: E1

AASHTO 5th Edition Spec's



POST OFFICE BOX 28550
BIRMINGHAM ALABAMA 35228
4200 JEFFERSON AVENUE
BIRMINGHAM ALABAMA 35221
PHONE (205) 925-4950
FAX (205) 925-7273

STATE: Vermont
PROJECT: Barre City
PROJ No: FECC F 028-1(34) C/2
COUNTY: Washington
ROUTE: US-302

SUBJECT: OVERHEAD SIGN SUPPORT
DETAIL OF UPRIGHT
FOR: F.R. Lafayette, Inc.
DRAWN BY: JLS DATE: 8/18/11
CHECKED BY: RRW DATE: 8/22/11
RELEASE FOR CONSTRUCTION: DWG NO: C1181-3

NO.	REVISIONS	DATE	BY	CHECKED

FOR APPROVAL: 8/22/11 JLS RRW