

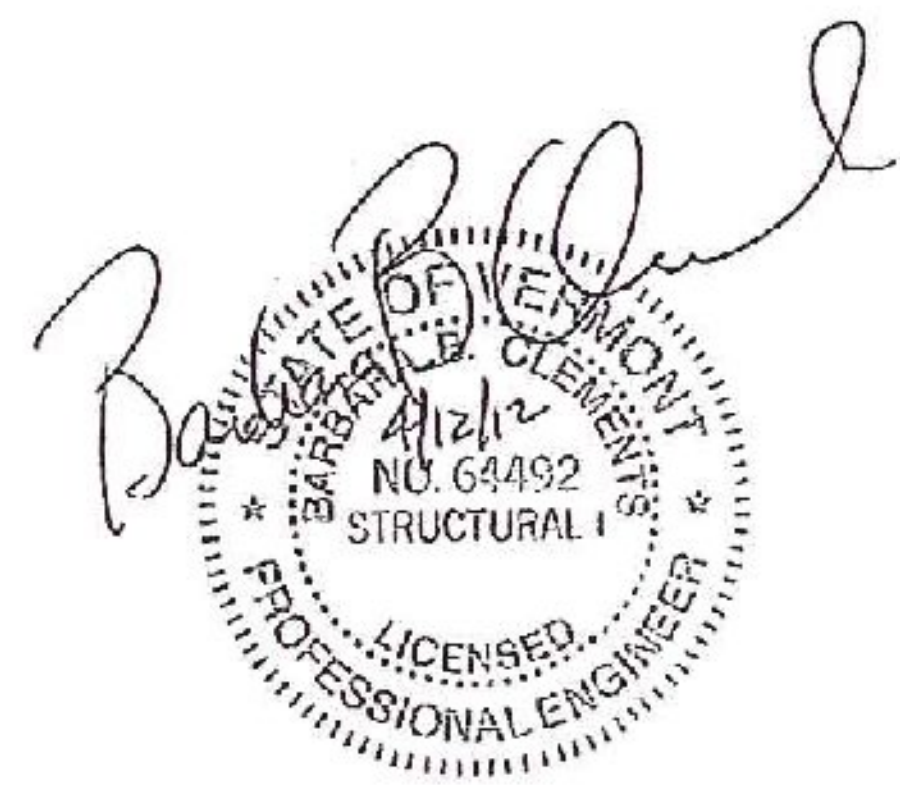
**TYPE II ANCHOR TEMPLATE** (SEE CHART FOR INFORMATION)  
**TYPE III ANCHOR TEMPLATE** (SEE CHART FOR INFORMATION)

**ANCHOR TEMPLATE CHART**

MARK	QTY	TYPE	"A"	"B"	"C"	"D"	STATION #
1P1	4	III	1'-11 3/4"	1'-6 3/4"	1 1/8"	1'-1 3/4"	137+71.4
1P2	3	III	2'-7"	2'-2"	1 5/8"	1'-9"	22+32.0 LT, 141+07 LT
1P3	3	II	2'-7"	2'-2"	1 5/8"	1'-9"	112+12.6 RT, 11+49.5 LT

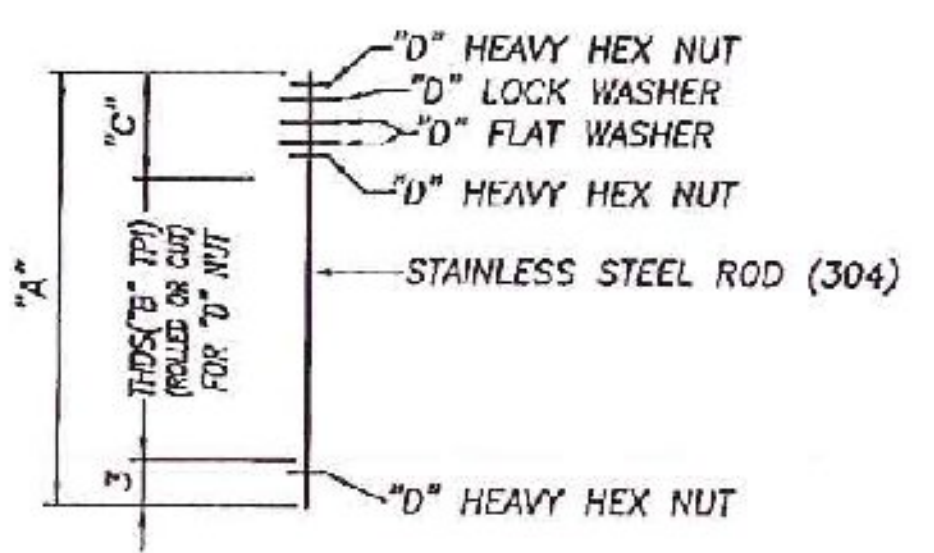
					C1181-1		
PARTS PER FOOT	PART MARK NO.	NO. OF PIECES	SECTION	DESCRIPTION OF MATERIAL	LENGTH	WEIGHT	QUANTITY
					ANCHOR BOLT TEMPLATES		
	1P1	4	PL	1/4 x 23 3/4 DIA			
	1P2	3	PL	1/4 x 31 DIA			
	1P3	3	PL	1/4 x 31 DIA			

SHIPPING LIST		
QTY	MARK	DESCRIPTION
16	1A1	ANCHOR BOLTS
28	1A2	ANCHOR BOLTS
4	1P1	ANCHOR BOLT TEMPLATES
3	1P2	ANCHOR BOLT TEMPLATE
3	1P3	ANCHOR BOLT TEMPLATE



**NOTE: SHOP SHIP FROM THIS DRAWING**

**ANCHOR BOLT TEMPLATE MATERIAL SPECS.**  
 ALL MAT'L - ASTM A572, GR. 50  
 DO NOT GALVANIZE TEMPLATES



TYPE "G"

**~ ANCHOR BOLTS ~**  
 (SEE CHART FOR MARKS)

MARK	QTY	"A"	"B"	"C"	"D"	TYPE	YIELD	STATION #
1A1	16	4'-8"	8"	10"	1"	"G"	55 KSI	137+71.4
1A2	28	4'-6"	6"	10"	1 1/2"	"G"	45 KSI	22+32.0 LT, 141+07 LT 112+12.6 RT, 11+49.5 LT

**MAT'L SPECS**

MAT'L	"G"
RODS	ASTM A276, TYPE 304 (SEE YIELD IN CHART)
NUTS	AASHTO M292/M292 GR. B, ANSI B18.2.4.6M
WASHERS	STAINLESS STEEL

REF DWG: E1-ES

AASHTO 5th Edition Spec's



POST OFFICE BOX 28650  
 BIRMINGHAM ALABAMA 35228  
 4200 JEFFERSON AVENUE  
 BIRMINGHAM ALABAMA 35221  
 PHONE (205)-925-1990  
 FAX (205) 925-7273

STATE: Vermont  
 PROJECT: Barre City  
 PROJ No: FECC F 026-1(34) C/2  
 COUNTY: Washington  
 ROUTE: US-302

SUBJECT: SIGN STRUCTURE  
 ANCHOR BOLT & TEMPLATE DETAILS  
 FOR: F.R. Lafayette, Inc.  
 DRAWN BY: JLS DATE: 8/19/11  
 CHECKED BY: RRW DATE: 8/22/11  
 RELEASE FOR CONSTRUCTION:  DWG NO: C1181-1

NO.	REVISIONS	DATE	MADE	CHECKED
1	FOR APPROVAL, REVISE AB'S, AB TEMPLATES	4/11/12	JEFF	RRW