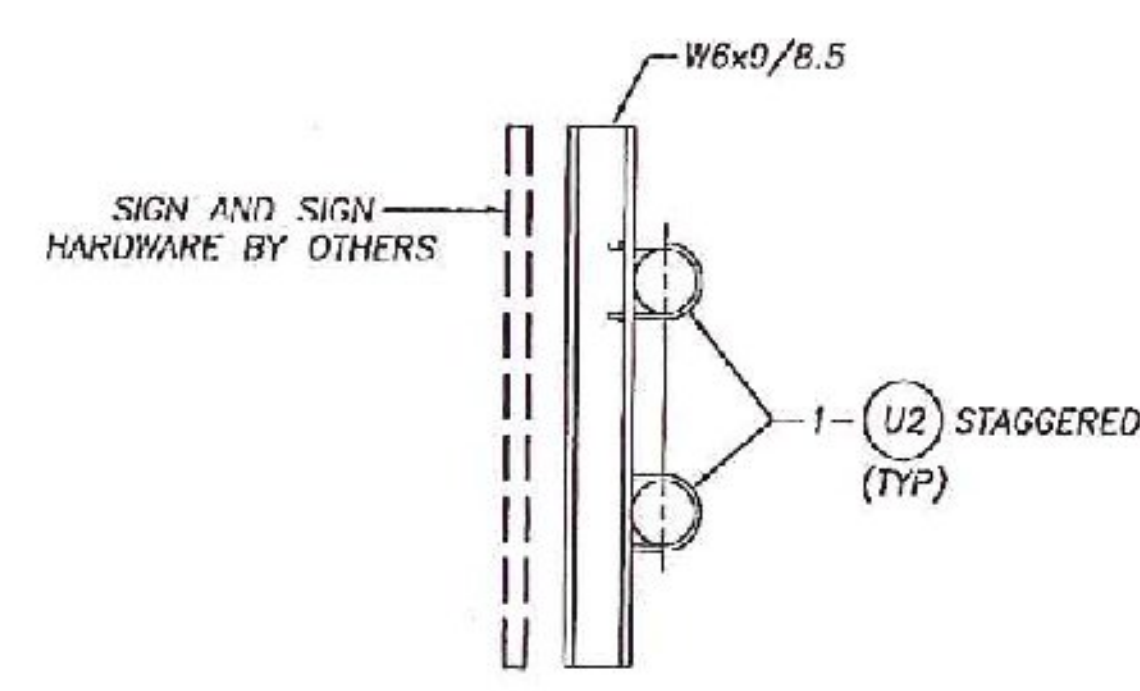
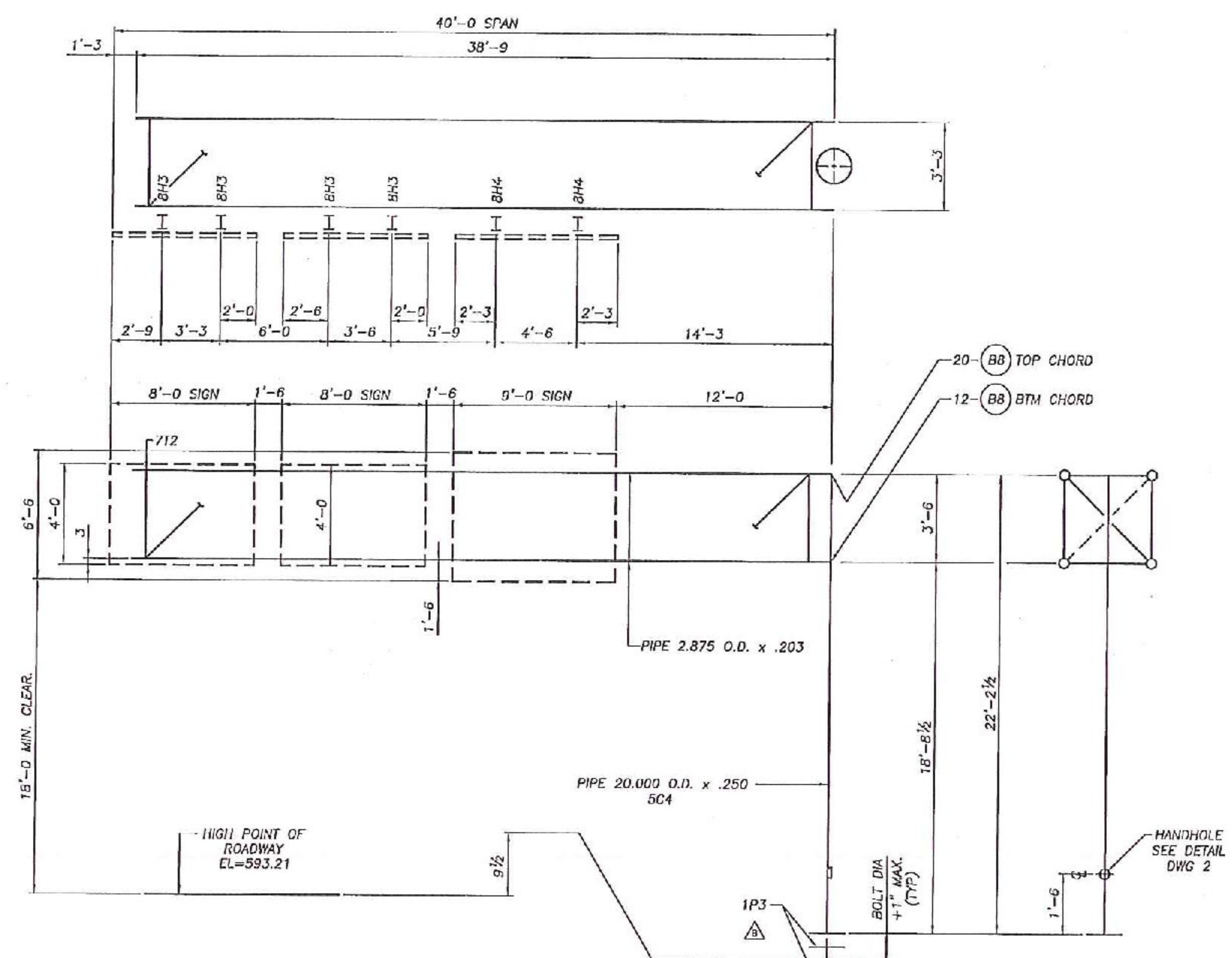


SHIPPING LIST		C1181-E5
QTY	MARK	DESCRIPTION
6	1A2	ANCHOR BOLTS
1	7T2	TRUSS 3.5' x 3.7' x 40'
1	5C4	POST 2.6' x 2.9' x 22.2'
1	2W1	HANDHOLE COVER ASSEMBLY
4	8H3	SIGN HANGERS
2	8H4	SIGN HANGERS
2	(B)	1/4" x 3/4" Hex Hd c/s (STAINLESS STL)
32	(B)	3/4" x 2 1/4" HHB w/PP/PW (A325 GALV)
12	(U)	1/2" U-BOLTS w/2 FN PP/LW/PW (A307 GALV)
1	1P3	ANCHOR BOLT TEMPLATE



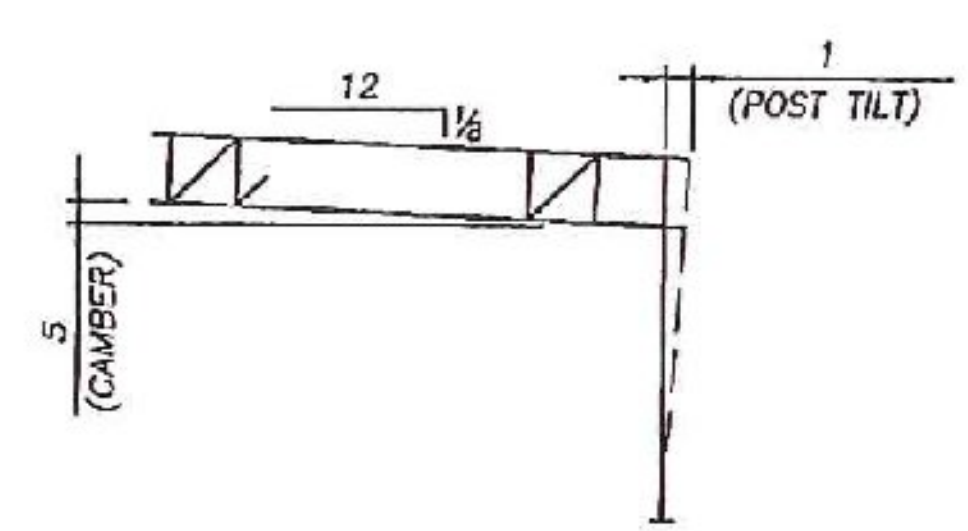
TYP SECTION THRU SIGN HANGER



ELEVATION

STR NO: 5  
 STA NO: 11+49.5 LT  
 (LOOKING IN DIRECTION OF TRAFFIC)

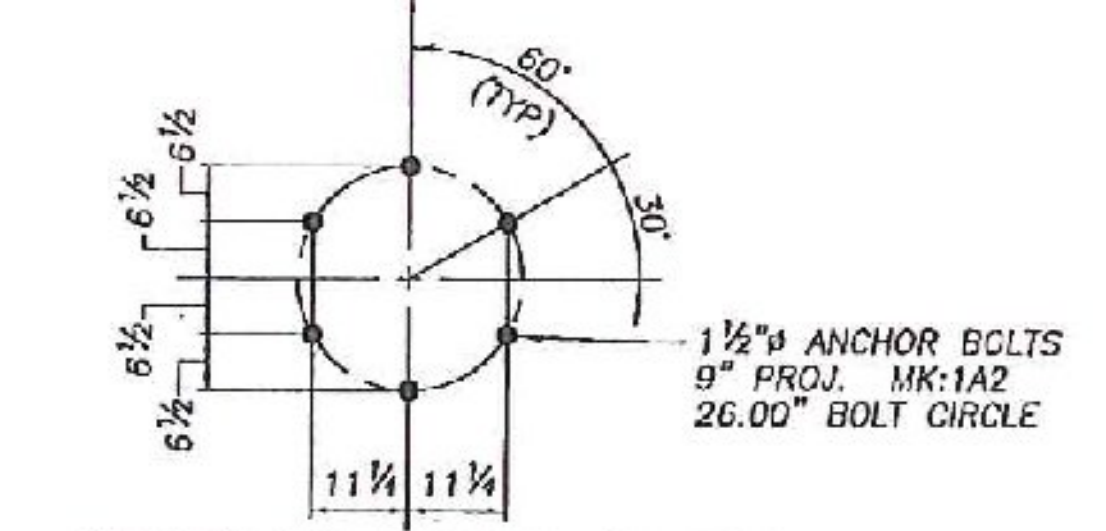
NOTE:  
 STRUCTURE SHALL NOT BE ERECTED WITHOUT  
 SIGNS OR A SUITABLE VIBRATION DAMPER



CAMBER DIAGRAM

ERECTION NOTE

- 1) TILT POST AWAY FROM ROADWAY AT ERECTION BY ADJUSTING LEVELING NUTS.
- 2) 1" MINIMUM PERMANENT CAMBER AFTER DEFLECTION.



ANCHOR BOLT PLAN



AASHTO 5th Edition Spec's

**W/P**  
**Walpar, LLC**

STATE: Vermont  
 PROJECT: Barre City  
 PROJ No: HEGC F 028-1(34) C/2  
 COUNTY: Washington  
 ROUTE: US-302

SUBJECT: CANTILEVER SIGN SUPPORT  
 ERECTION DRAWING

FOR: F.R. Lafayette, Inc.

DESIGN BY: JLS DATE: 8/19/11  
 CHECKED BY: RRW DATE: 8/22/11  
 RELEASE FOR CONSTRUCTION:  DWG NO: C1181-E5

POST OFFICE BOX 28550  
 BIRMINGHAM ALABAMA 35228  
 4200 JEFFERSON AVENUE  
 BIRMINGHAM ALABAMA 35221  
 PHONE (205) 925-4950  
 FAX (205) 925-7273

NO.	REVISIONS	DATE	MADE	CHECKED
1	FOR APPROVAL, REVISE ANCHOR BOLT TEMPLATE	4/11/12	JEFF	RRW