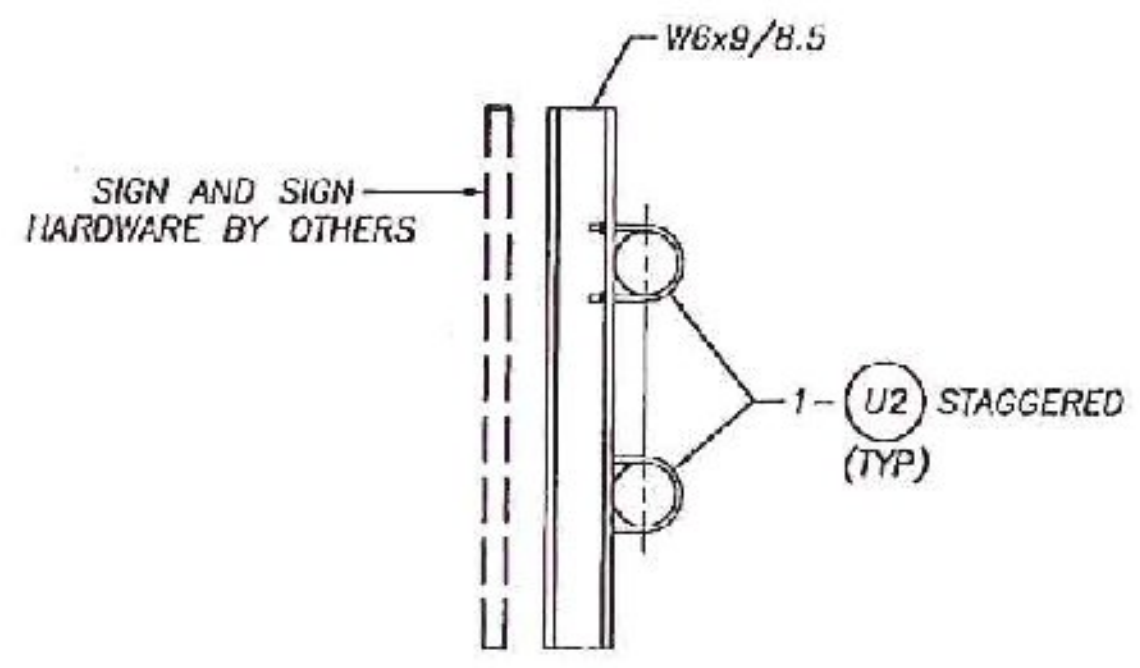
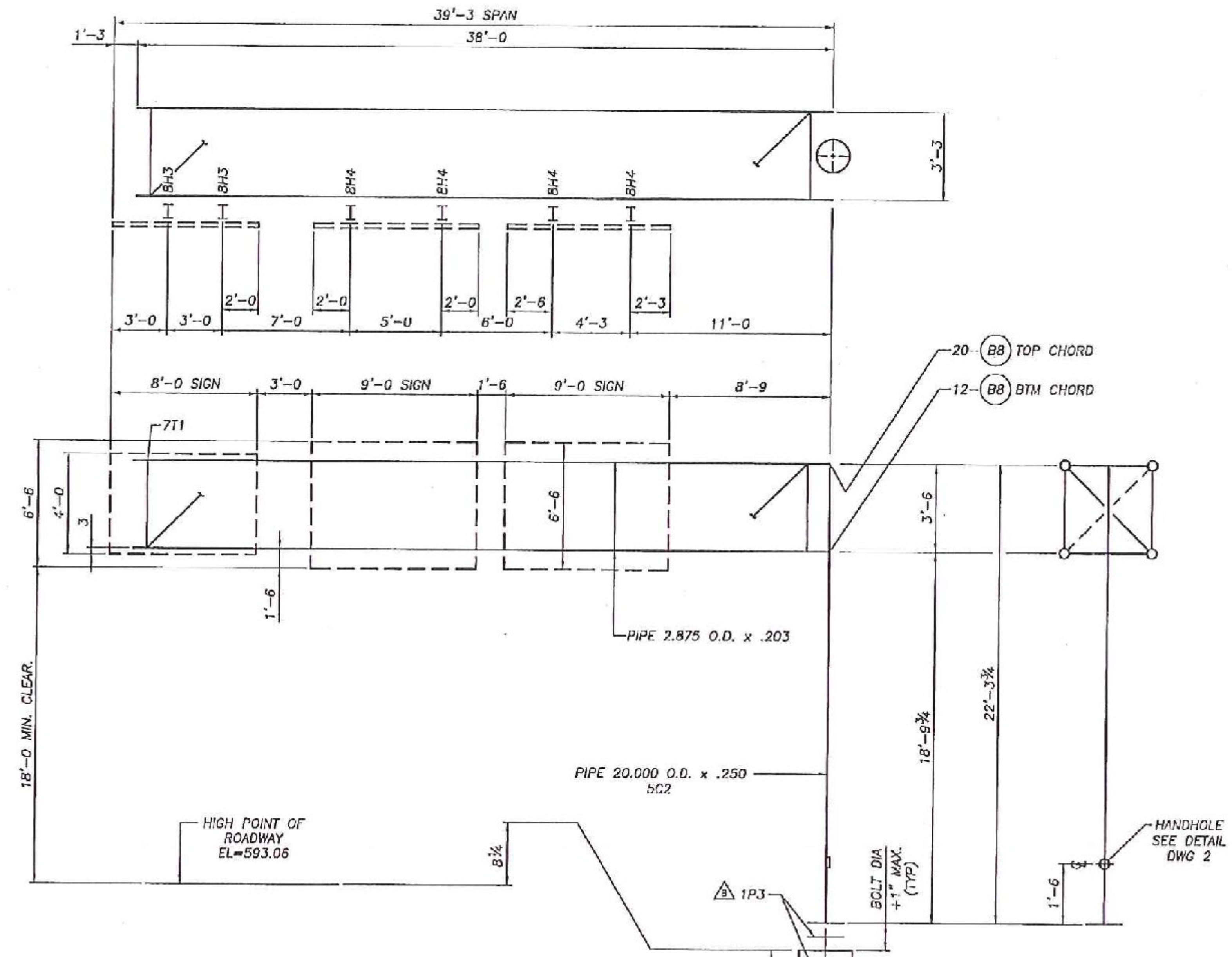


SHIPPING LIST		C1181-E3
QTY	MARK	DESCRIPTION
6	1A2	ANCHOR BOLTS
1	7T1	TRUSS 3.5' x 3.7' x 39.2'
1	5C2	POST 2.6' x 2.9' x 22.3'
1	2W1	HANDHOLE COVER ASSEMBLY
2	8H3	SIGN HANGERS
4	8H4	SIGN HANGERS
2	(B)	1/4" x 3/4" Hex HD c/s (STAINLESS STL)
32	(B8)	3/4" x 2 1/4" HHB w/BN/PW (A325 GALV)
12	(U2)	1/2" U-BOLTS w/(2 EA) BN/LH/PW (A307 GALV)
2	1P3	ANCHOR BOLT TEMPLATE



TYP SECTION THRU SIGN HANGER



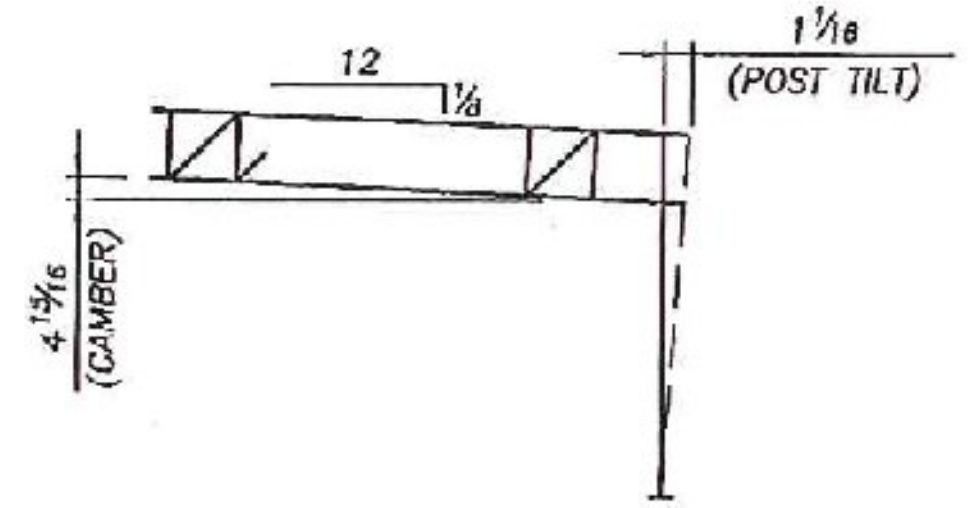
ELEVATION

STR NO: 3

STA NO: 112+12.6 RT

(LOOKING IN DIRECTION OF TRAFFIC)

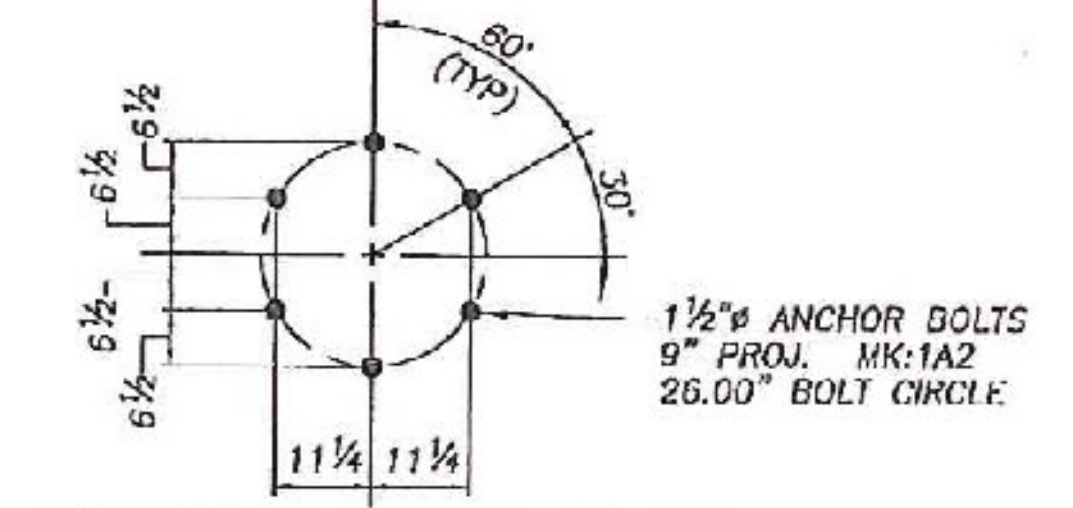
NOTE: STRUCTURE SHALL NOT BE ERECTED WITHOUT SIGNS OR A SUITABLE VIBRATION DAMPER



CAMBER DIAGRAM

ERECTION NOTE

- 1) TILT POST AWAY FROM ROADWAY AT ERECTION BY ADJUSTING LEVELING NUTS.
- 2) 1" MINIMUM PERMANENT CAMBER AFTER DEFLECTION.



ANCHOR BOLT PLAN



POST OFFICE BOX 28650  
 BRUNINGHAM ALABAMA 35228  
 4200 JEFFERSON AVENUE  
 BRUNINGHAM ALABAMA 35221  
 PHONE (205)-925-4990  
 FAX (205) 925-7273

STATE: Vermont

PROJECT: Barre City

PROJ No: FGCC F 026-1(34) C/2

COUNTY: Washington

ROUTE: US-302

SUBJECT: CANTILEVER SIGN SUPPORT

ERECTION DRAWING

FOR: F.R. Lafayette, Inc.

DRAWN BY: JIS DATE: 8/19/11

CHECKED BY: RRW DATE: 8/22/11

RELEASE FOR CONSTRUCTION:  DWG NO: C1181-E3

NO.	REVISIONS	DATE	BY	CHECKED
1	FOR APPROVAL, REVISE AN TEMPLATE	4/11/12	JEFF	RRW