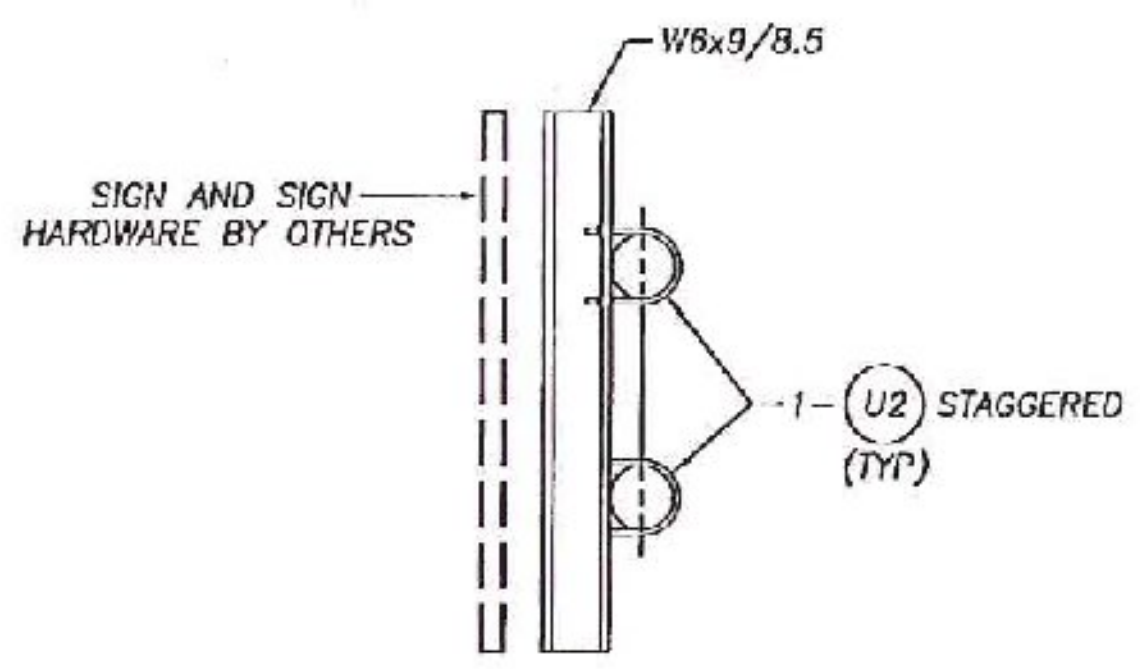
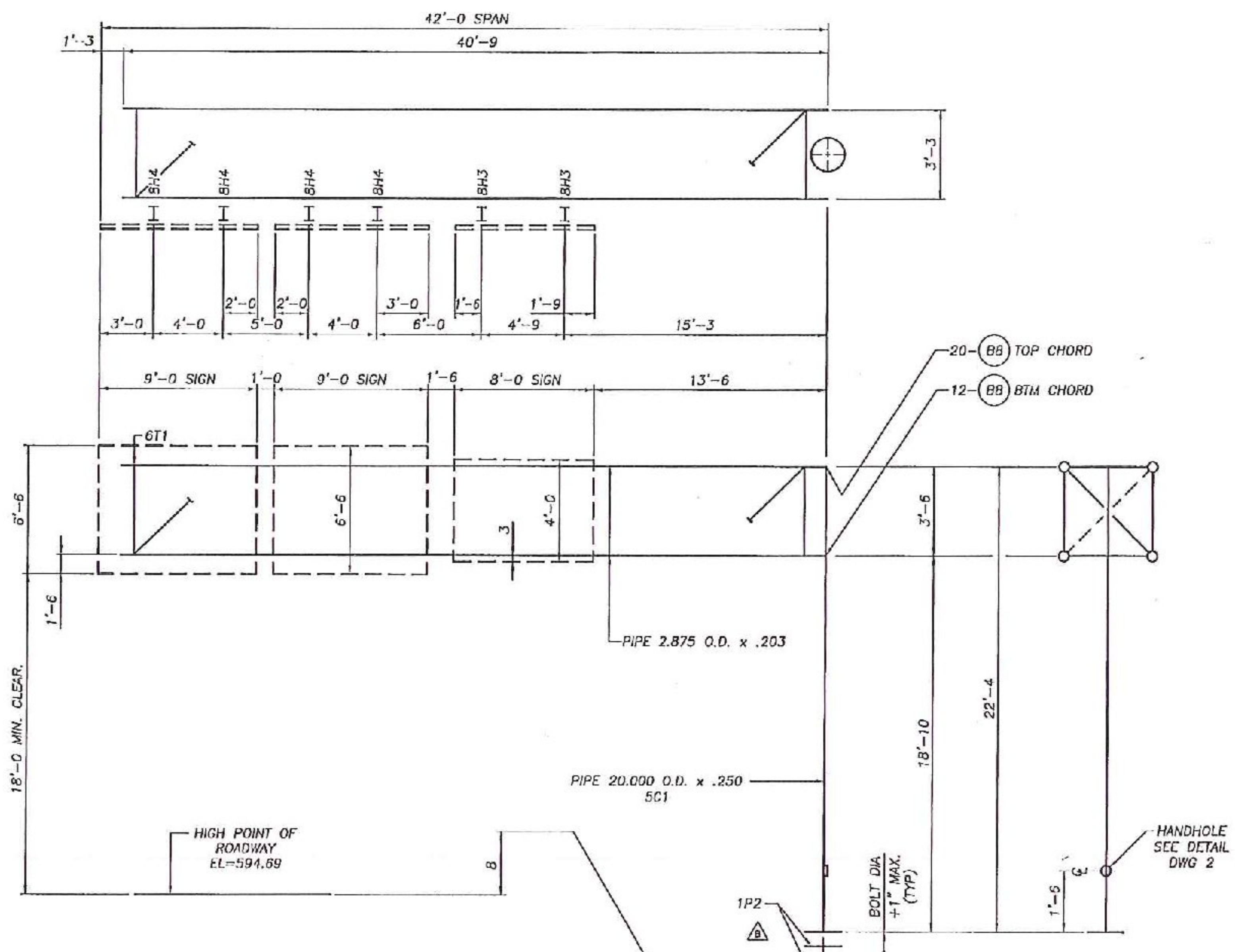


SHIPPING LIST		C1181-E2
QTY	MARK	DESCRIPTION
8	1A2	ANCHOR BOLTS
1	6T1	TRUSS 3.6' x 3.8' x 42'
1	5C1	POST 2.6' x 2.9' x 22.3'
1	2W1	HANDHOLE COVER ASSEMBLY
2	BH3	SIGN HANGERS
4	BH4	SIGN HANGERS
2	(B2)	1/4" x 3/4" Hex Hd c/s (STAINLESS STL)
32	(B8)	3/4" x 2 1/4" HHB w/HH/FW (A305 GALV)
12	(U2)	1/2" U-BOLTS w/2 EA HH/LW/FW (A307 GALV)
2	1P2	ANCHOR BOLT TEMPLATE



TYP SECTION THRU SIGN HANGER

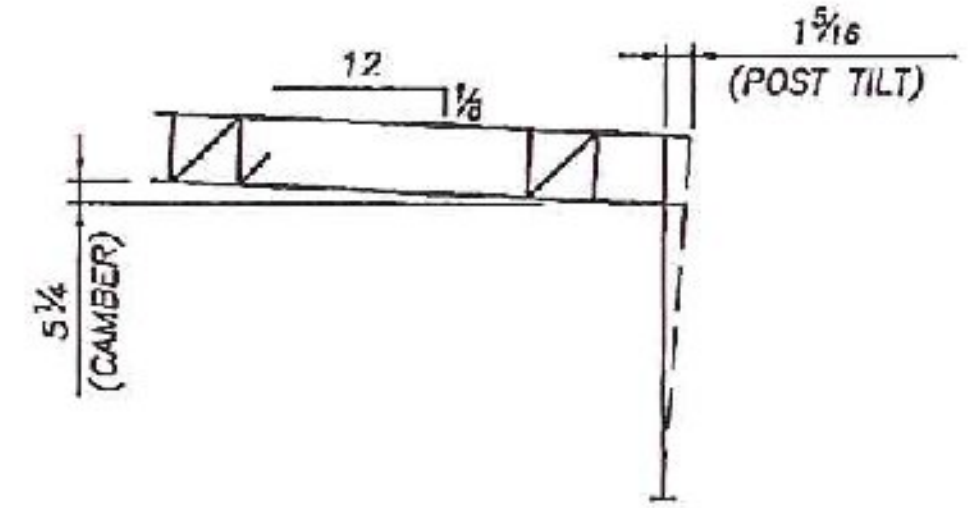


ELEVATION

STR NO: 2

STA NO: 22+32.0 LT

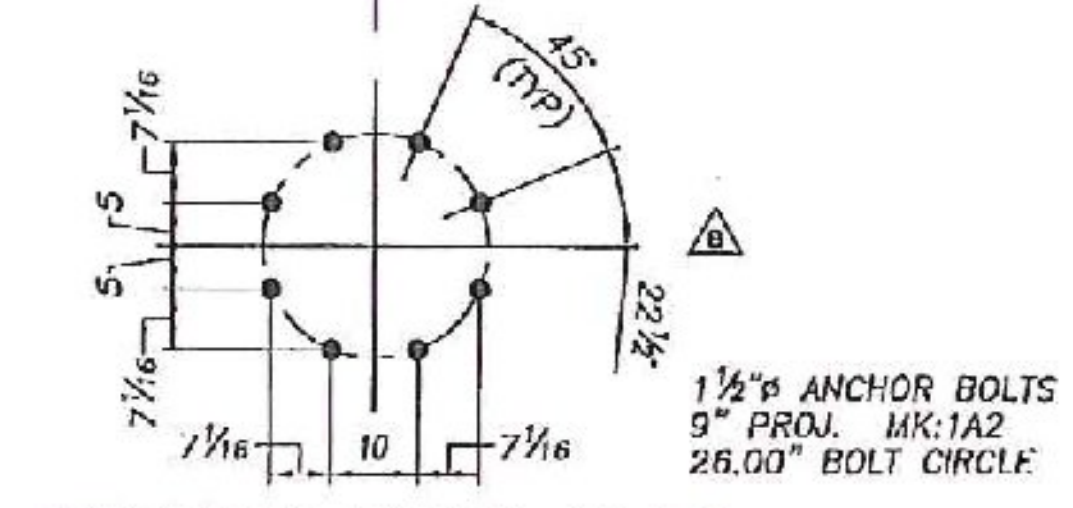
NOTE: STRUCTURE SHALL NOT BE ERECTED WITHOUT SIGNS OR A SUITABLE VIBRATION DAMPER



CAMBER DIAGRAM

ERECTION NOTE

- 1) TILT POST AWAY FROM ROADWAY AT ERECTION BY ADJUSTING LEVELING NUTS.
- 2) 1" MINIMUM PERMANENT CAMBER AFTER DEFLECTION.



ANCHOR BOLT PLAN



POST OFFICE BOX 28653  
 BIRMINGHAM ALABAMA 35228  
 4200 JEFFERSON AVENUE  
 BIRMINGHAM ALABAMA 35221  
 PHONE (205) 925-4990  
 FAX (205) 925-7273

STATE: Vermont

PROJECT: Barre City

PROJ No: FEGC F 026-1(34) C/2

COUNTY: Washington

ROUTE: US-302

SUBJECT: CANTILEVER SIGN SUPPORT

ERECTION DRAWING

FOR: F.R. Lafayette, Inc.

DRAWN BY: JLS DATE: 8/19/11

CHECKED BY: RRW DATE: 8/22/11

RELEASE FOR CONSTRUCTION:  DWG NO: C1181-E2

NO.	REVISIONS	DATE	MADE	DRAWN
1	FOR APPROVAL, REVISE AS QTY, AS TEMPLATE	4/11/12	JEFF	RRW