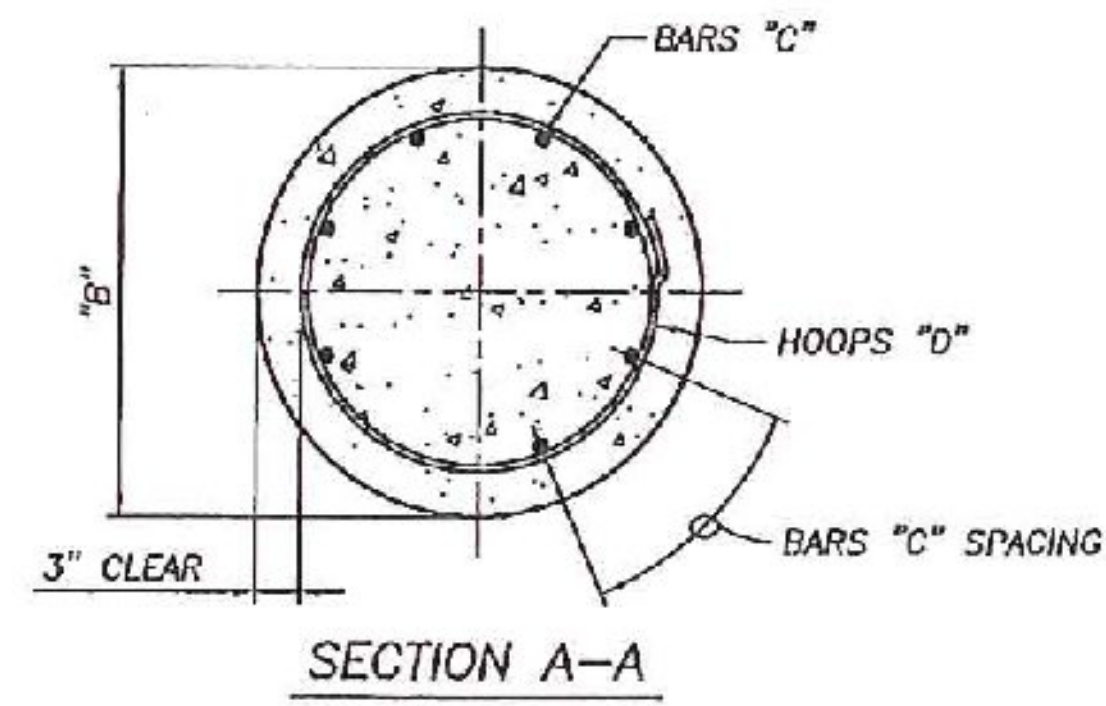
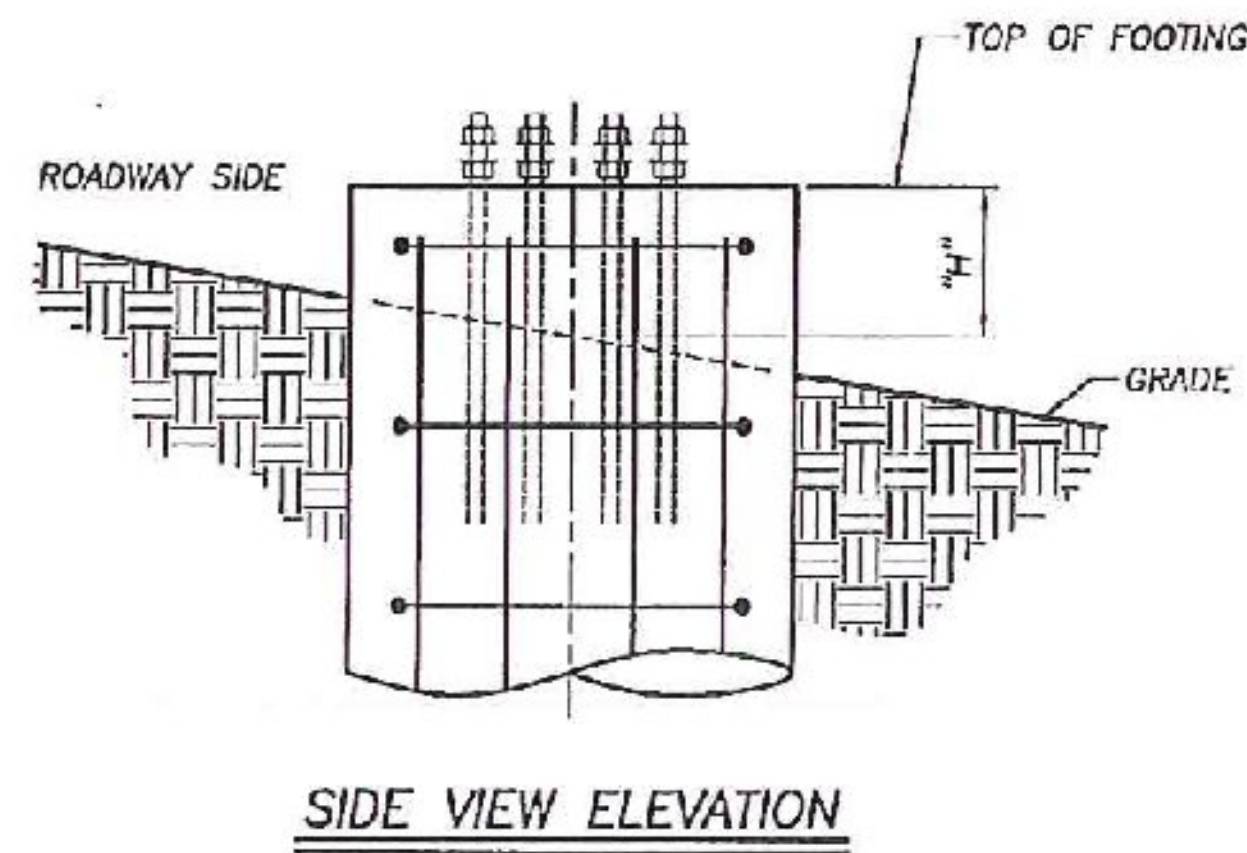
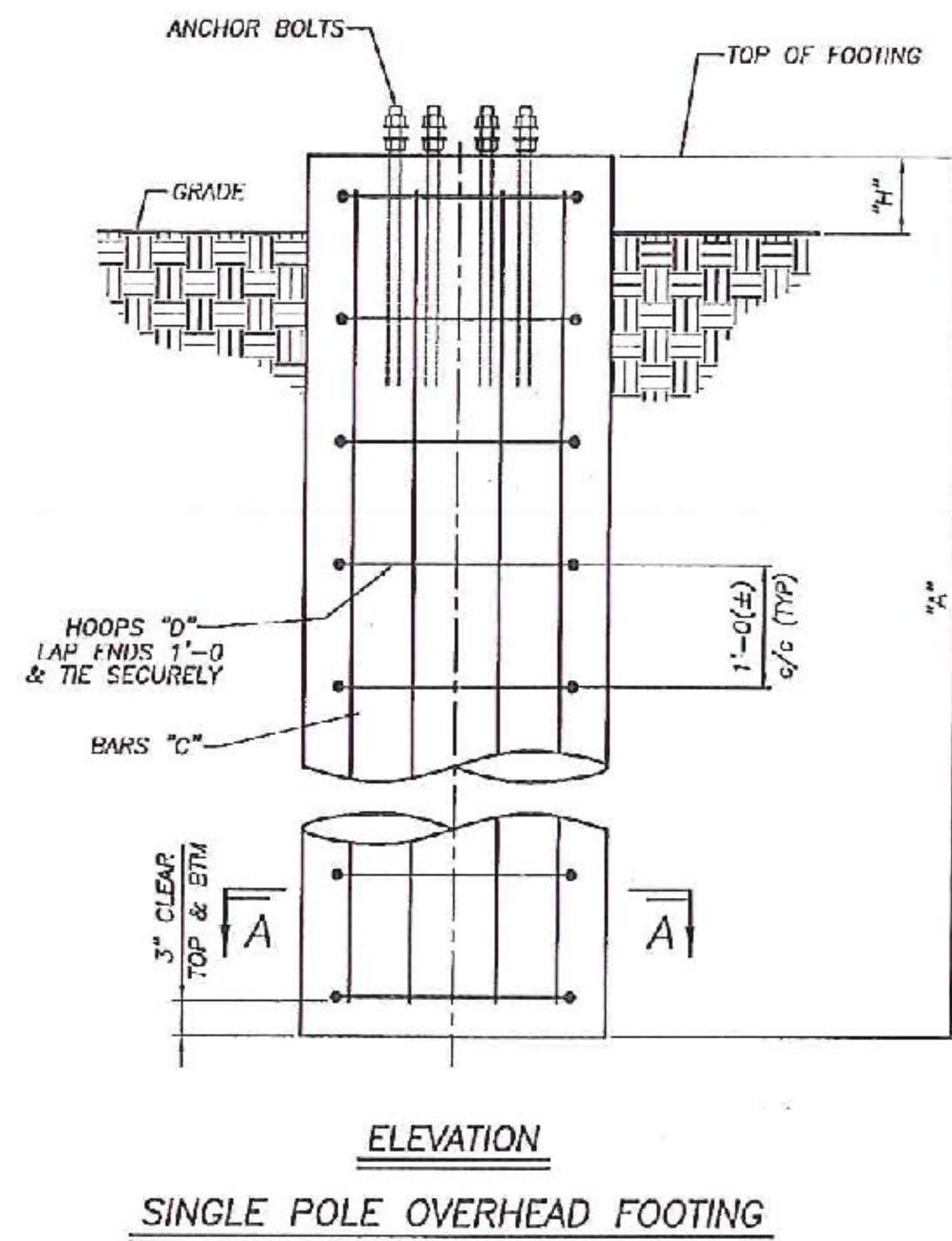
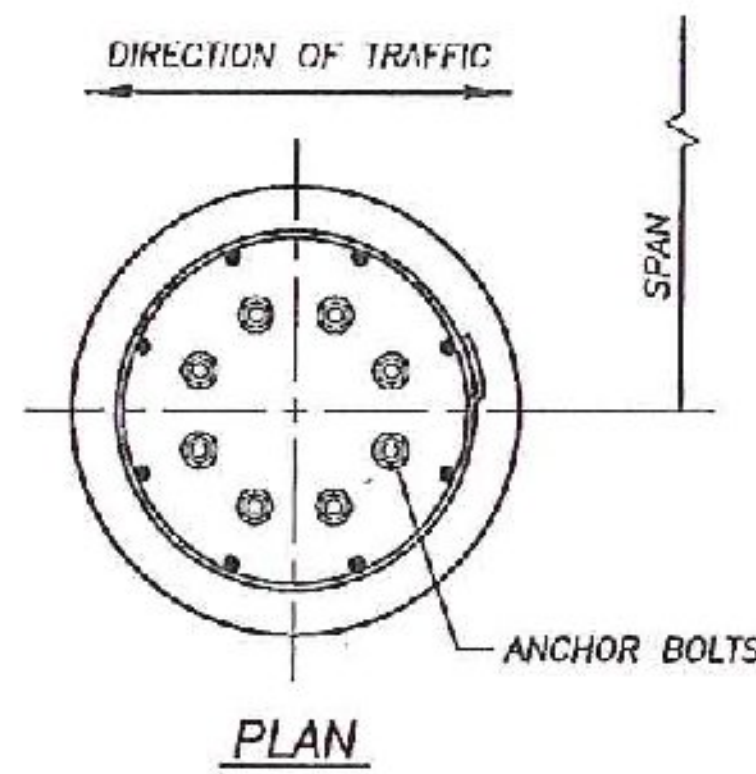


STRUCTURE	STATION	SPAN	"A"	"B"	BARS "C" (\pm)c/c	HOOPS "D" (\pm)c/c	CONC./FTG (cu yds)	REINF./FTG (lbs)	"H"
1(L)	137+71.4	60'-0"	10'-0"	2'-6"	12 - #7 @ 5 ³ / ₁₆	11 - #4 @ 1'-0"	1.82	283	9
1(R)	137+71.4	60'-0"	11'-0"	2'-6"	12 - #7 @ 5 ³ / ₁₆	12 - #4 @ 1'-0"	2.00	312	6



GENERAL NOTES

- CONCRETE TO BE HIGH PERFORMANCE CLASS "B" AND $f'_c=3500$ PSI
- REINFORCING TO BE ASTM -- A615, GRADE 60, DEFORMED, $F_y = 60$ KSI, $f_s = 24$ KSI.
- REINFORCING TO BE TIED SUFFICIENTLY TO RETAIN ITS PROPER SHAPE DURING PLACEMENT.
- REINFORCING TO BE HOOKED OR BENT PER ACI CODE.
- CONTRACTOR TO PROVIDE CONDUIT IN FOOTING AS NECESSARY FOR ELECTRICAL SERVICE.
- SEE STRUCTURE ERECTION DRAWINGS FOR FOOTING ELEVATIONS & ANCHOR BOLT MARKS, QUANTITIES, & SPACING.
- CONTRACTOR SHALL BACK FILL AS NECESSARY TO COVER FOUNDATION.

Barbara B. Clement

STATE OF VERMONT
 BARBARA B. CLEMENT
 4/12/12
 NO. 64492
 STRUCTURAL I
 LICENSED PROFESSIONAL ENGINEER

AASHTO 5th Edition Spec's

WP Walpar, LLC	STATE:	Vermont
	PROJECT:	Barre City
	PROJ No:	FEGC F 02B-1(34) C/2
	COUNTY:	Washington
	ROUTE:	US-302
SUBJECT: OVERHEAD SIGN SUPPORT CYLINDRICAL FOOTING DESIGN		
FOR: F.R. Lafayette, Inc.		
DRAWN BY:	JEFF	DATE: 8/5/11
CHECKED BY:	RRV	DATE: 8/17/11
RELEASE FOR CONSTRUCTION: <input type="checkbox"/> DWG NO: C1181-D3		

NO.	REVISIONS	DATE	MADE	DESD
1	FOR APPROVAL, CH'D CONC SPEC, REVISED CYL DESIGN	4/3/12	BBC	JEFF