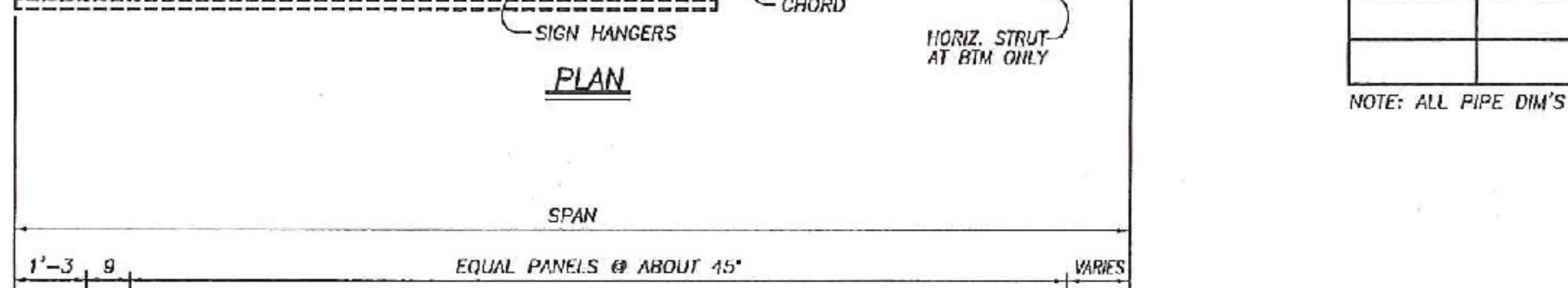
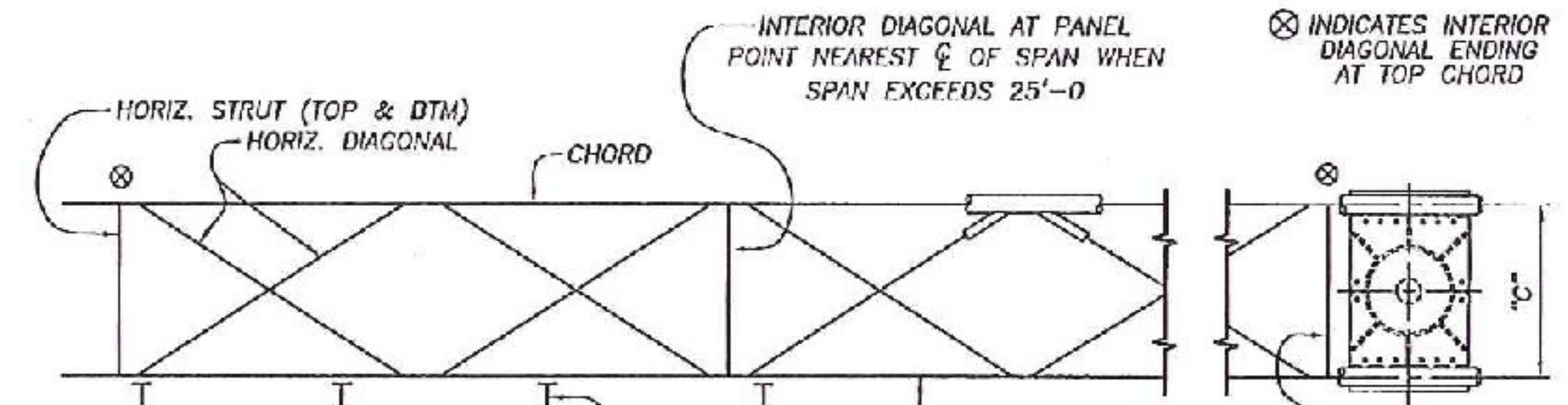
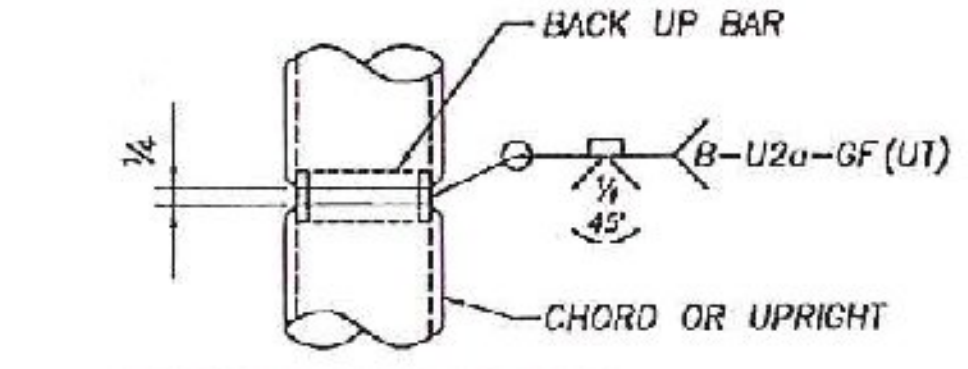


STRUCTURE	STATION	SPAN	UPRIGHT	CHORD	STRUT	VERTICAL DIAGONAL	HORIZ. DIAGONAL	CAMBER	POST TILT	BOLTS CHORD	ANCHOR BOLTS QTY	ANCHOR BOLTS SIZE	ANCHOR BOLTS EMBED	GUSSET REQ'D	"A"	"D"	"C"	"D"	"F"	"L"	DESIGN SIGN AREA
2	22+32.0 LT	42'-0"	20,000 x .250	2,875 x .203	1,315 x .133	1,315 x .133	1,315 x .133	5 1/2"	1 1/8"	6	8	1 1/2"	3'-6"	4	20'-7"	3'-6"	3'-3"	1 1/2"	5/16"	1/4"	163.9
3	112+12.6 RT	39'-3"	20,000 x .250	2,875 x .203	1,315 x .133	1,315 x .133	1,315 x .133	4 1/2"	1 1/8"	8	6	1 1/2"	3'-6"	6	20'-6 3/4"	3'-6"	3'-3"	1 1/2"	5/16"	1/4"	163.9
4	141+97 LT	50'-0"	20,000 x .250	2,875 x .203	1,315 x .133	1,315 x .133	1,315 x .133	6 1/2"	1 1/8"	6	8	1 1/2"	3'-6"	4	20'-6 1/2"	3'-6"	3'-3"	1 1/2"	5/16"	1/4"	128.7
5	11+49.5 LT	40'-0"	20,000 x .250	2,875 x .203	1,315 x .133	1,315 x .133	1,315 x .133	5"	1"	6	6	1 1/2"	3'-6"	6	20'-5 1/2"	3'-6"	3'-3"	1 1/2"	5/16"	1/4"	134.8

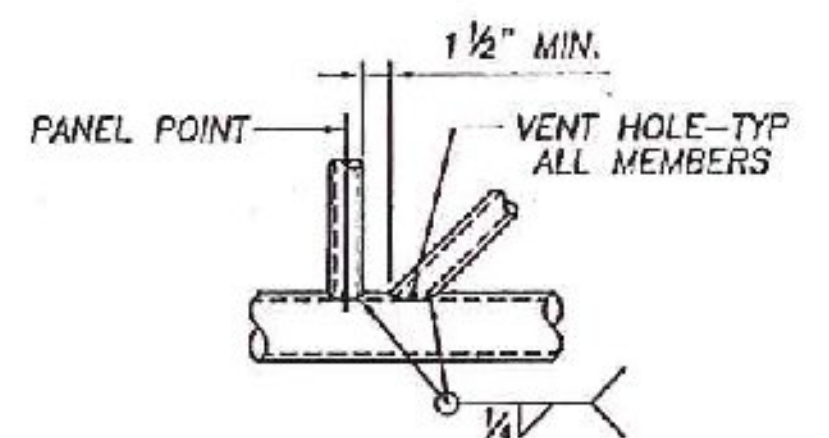
NOTE: ALL PIPE DIM'S ARE OUTSIDE DIAMETERS



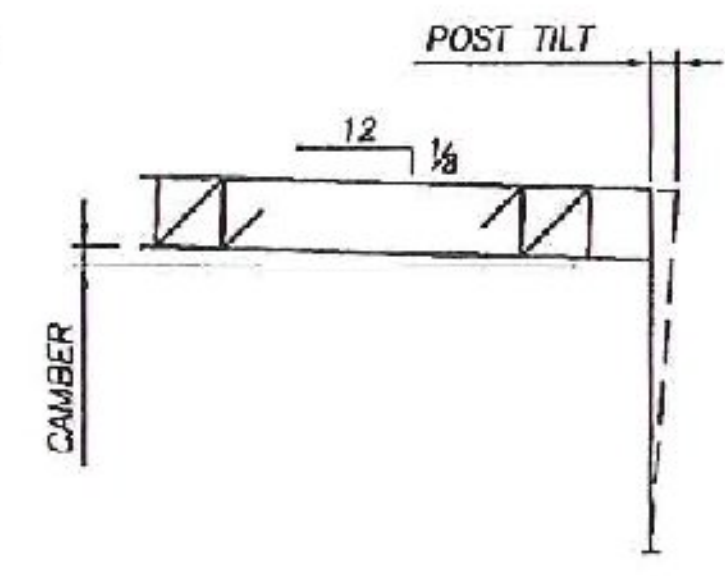
**TYPICAL CANTILEVER STRUCTURE**



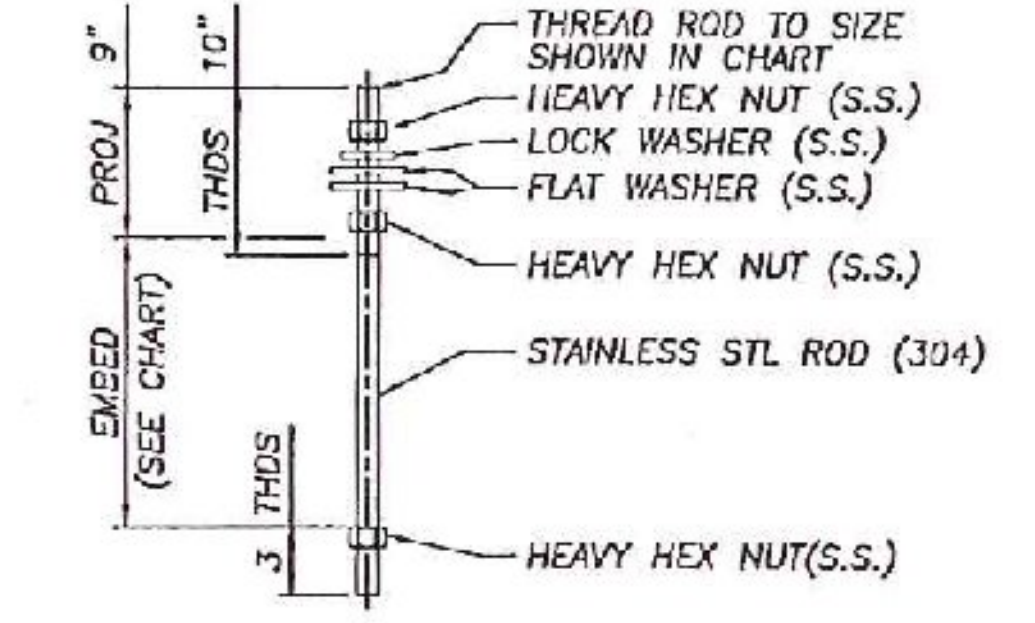
**OPTIONAL PIPE SPLICES**  
(FOR WALL THK 1/8" OR GREATER ONLY)



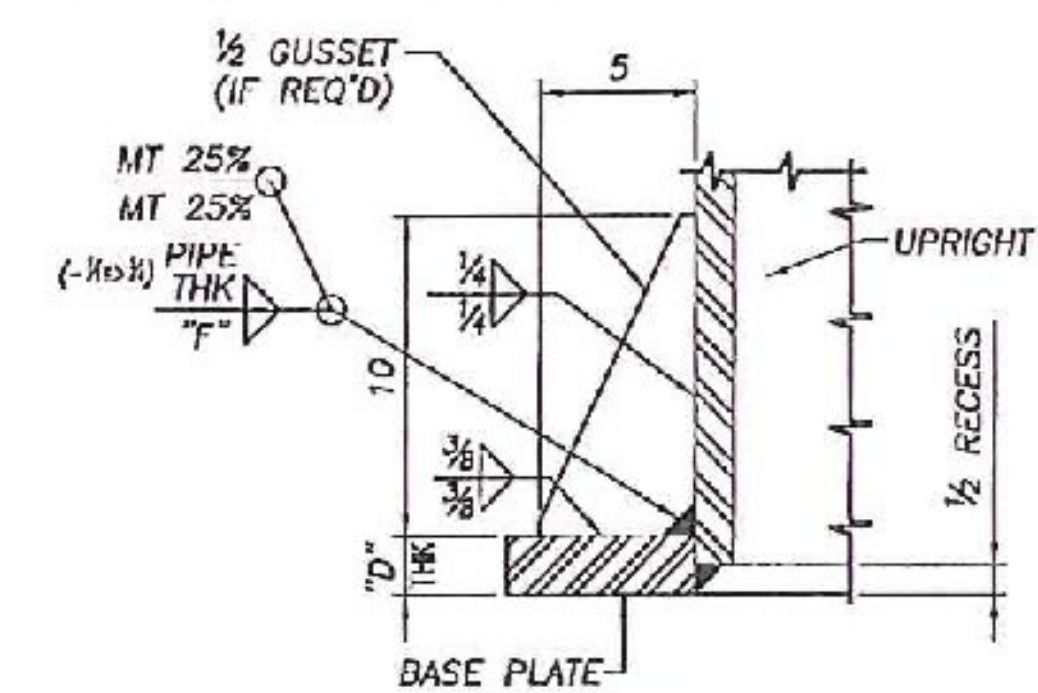
**TYP DETAIL AT PANEL POINT**



**CAMBER DIAGRAM**



**ANCHOR DETAIL**

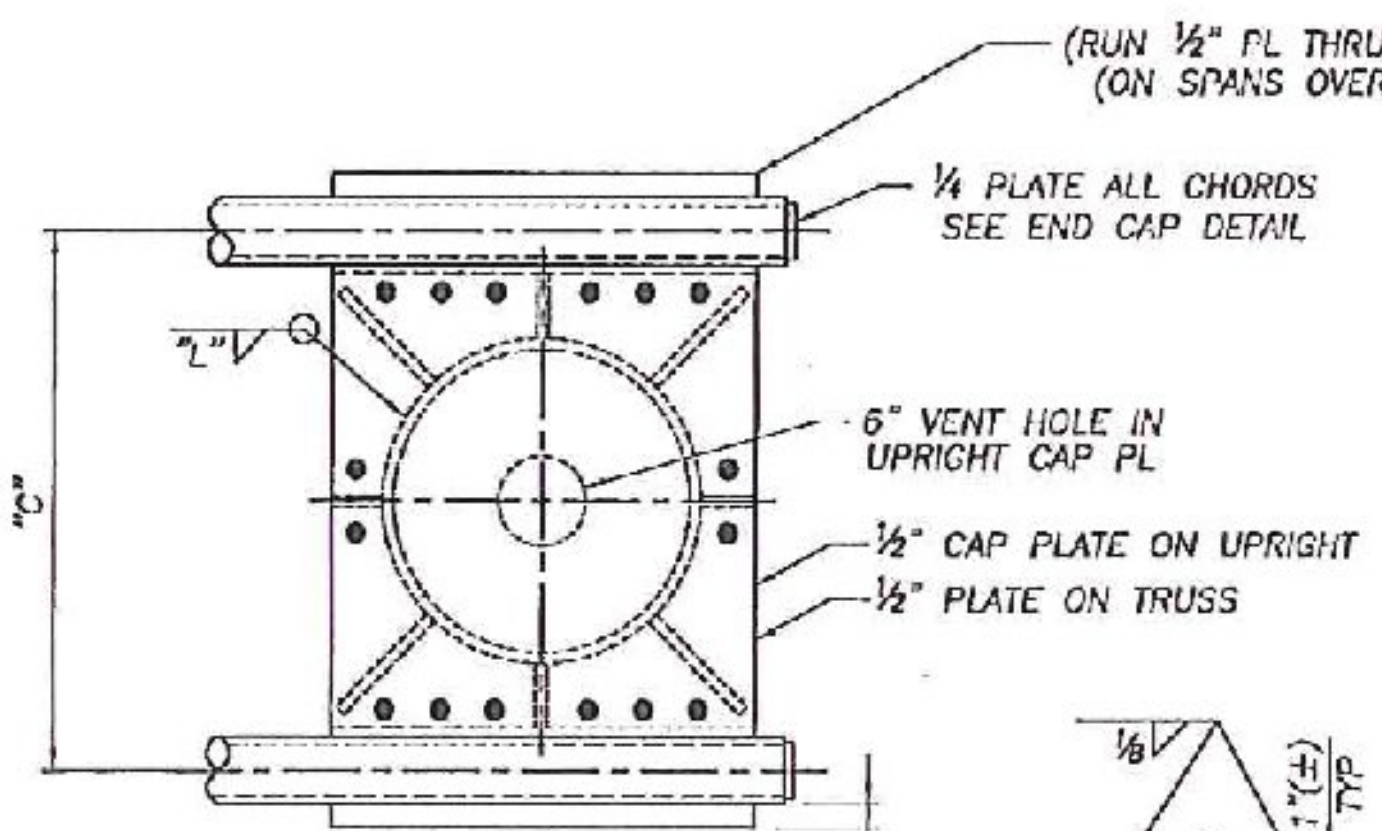


**SECTION C-C**

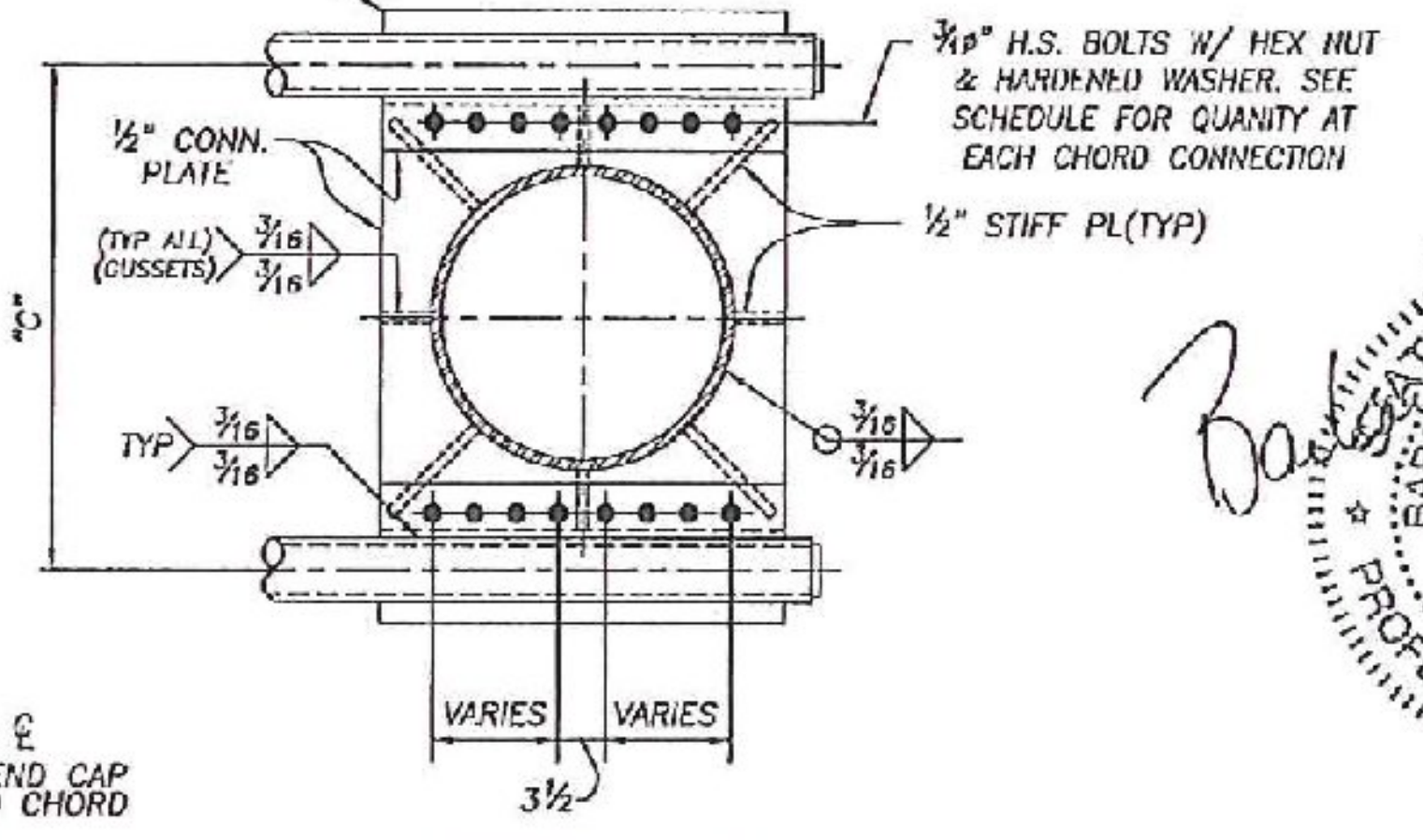
**MATERIAL SPECIFICATIONS**

- PIPE - SHALL MEET THE FOLLOWING SPECIFICATIONS WITH THE PROPERTIES (52 KSI MIN. YIELD, 60 KSI MIN. ULTIMATE TENSILE AND MIN. ELONGATION EQUAL TO 20% IN 2 IN.). API-5L-X52, API-5L-X60, ASTM A500 GR. B/C, API-5L-X42, ASTM A252 GR.3 OR ASTM A53 GR. B (YIELD STRENGTH SHALL NOT EXCEED 82 KSI).
- PLATES - ASTM A572, GR. 50
- ANGLES - STEEL ASTM A36
- HARDWARE - PRIMARY-ASTM A325  
- SECONDARY-ASTM A307
- GALVANIZING - STRUCTURAL-ASTM A123  
- HARDWARE-ASTM A153
- PAINTING - PER WALPAR COATING SYSTEM #3 - COLOR BLACK
- ANCHOR BOLTS - STAINLESS STEEL, ASTM A276 TYPE 304 (45 KSI YIELD)  
- S.S. FLAT AND LOCK WASHERS  
- S.S. NUTS - AASHTO M 292/M 292 GR. B & ANSI B18.2.4.5M
- WELDING - AWS SPEC. D1.1 - LATEST REV.

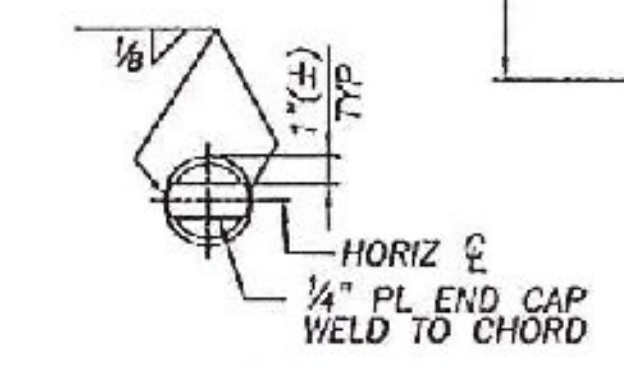
NOTE: FOR SIGN HANGER, WALKWAY & LIGHT SUPPORT INFORMATION SEE ERECTION DWG'S AASHTO 5th Edition Spec's



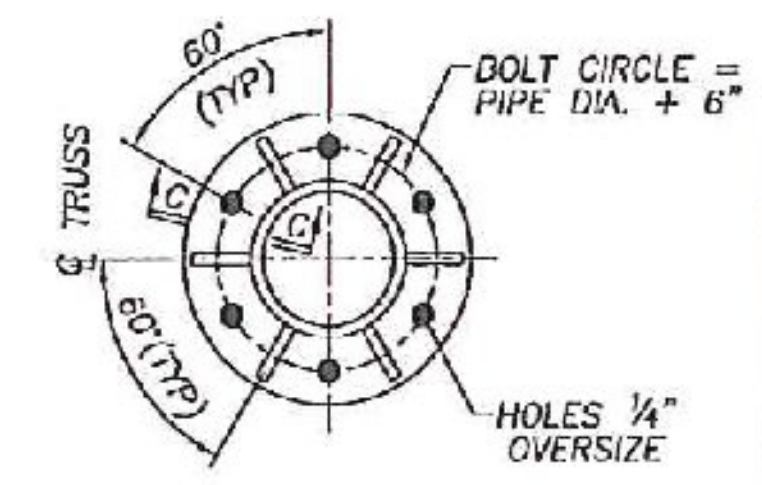
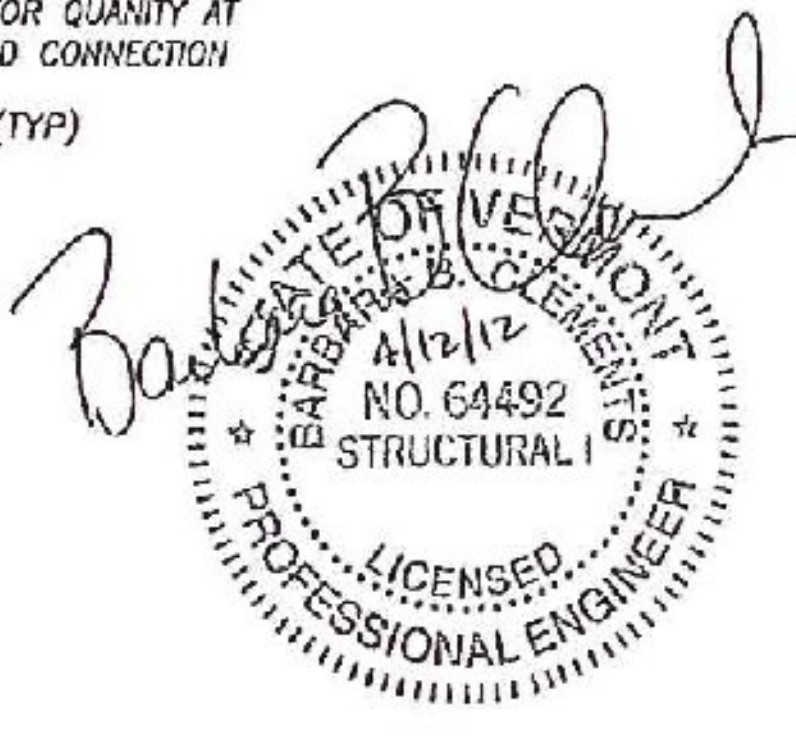
**SECTION A-A**  
TOP CHORD CONNECTION



**SECTION B-B**  
BOTTOM CHORD CONNECTION



**END CAP DETAIL**



**TYP BASE DETAIL**  
(FOR 6 ANCHOR BOLTS)

NO.	REVISIONS	DATE	BY	CHECKED
1	FOR APPROVAL, REVISE AS QTY, AS SIZE, GUSSET QTY, AND BASE PL TH	4/5/12	JEFF	RNW

STATE: Vermont  
PROJECT: Barre City  
PROJ No: FECC F 026-1(34) C/2  
COUNTY: Washington  
ROUTE: US-302

SUBJECT: BOX TRUSS CANTILEVER SIGN SUPPORTS  
WALPAR STANDARD DESIGN

FOR: F.R. Lafayette, Inc.

DRAWN BY: JEFF DATE: 7/27/11  
CHECKED BY: RNW DATE: 8/16/11

RELEASE FOR CONSTRUCTION:  DWG NO: C1181-D2