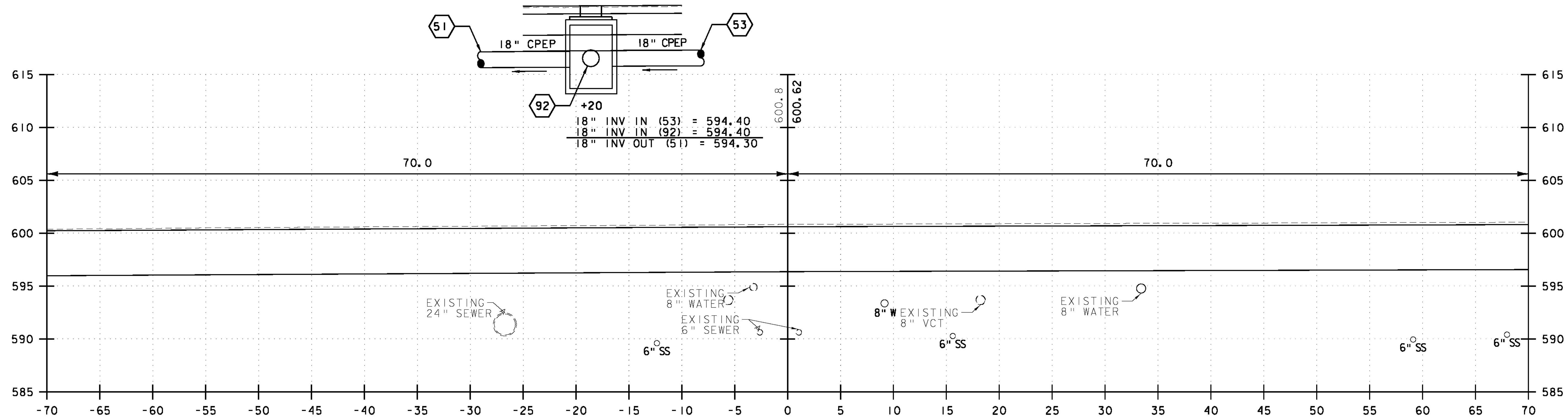


90+25



90+00



**VHB** Vanasse Hangen Brustlin, Inc.

PEARL STREET	
PROJECT NAME:	BARRE CITY
PROJECT NUMBER:	FEGC F 026-I(34) C/2
FILE NAME:	85b010_xs2_Cut_C2
PROJECT LEADER:	G. BAKOS
DESIGNED BY:	DMP / MDS
CROSS SECTIONS	
PLOT DATE:	3/9/2011
DRAWN BY:	DMP / JAR
CHECKED BY:	
SHEET	315 OF 339