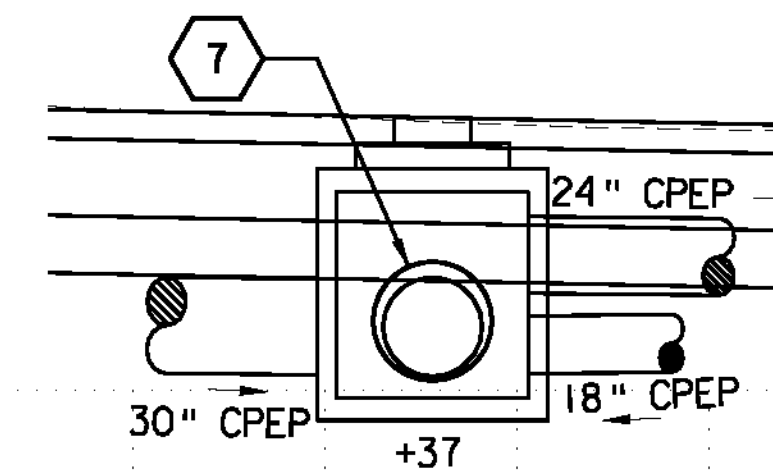
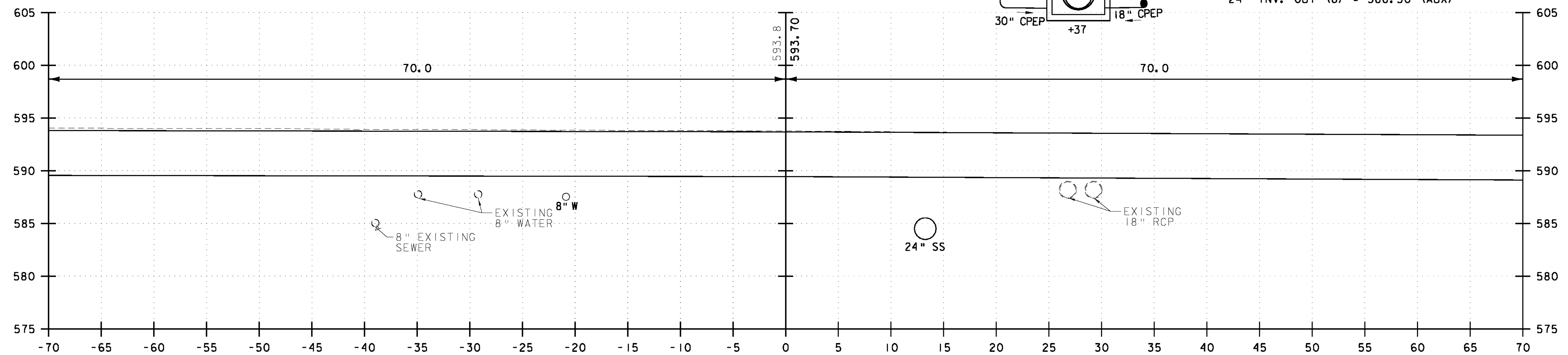


10+50



30" INV. IN (9)	= 586.17
30" INV. IN (8)	= 586.17
18" INV. IN (4)	= 586.20
36" INV. OUT (7)	= 586.12
24" INV. OUT (6)	= 588.30 (AUX)



10+00



**VHB** Vanasse Hangen Brustlin, Inc.

ROUTE 62	
PROJECT NAME:	BARRE CITY
PROJECT NUMBER:	FEGC F 026-I(34) C/2
FILE NAME:	85b010_xs2_Cut_C2
PROJECT LEADER:	G. BAKOS
DESIGNED BY:	DMP / MDS
CROSS SECTIONS	
PLOT DATE:	3/9/2011
DRAWN BY:	DMP / JAR
CHECKED BY:	
SHEET	276 OF 339