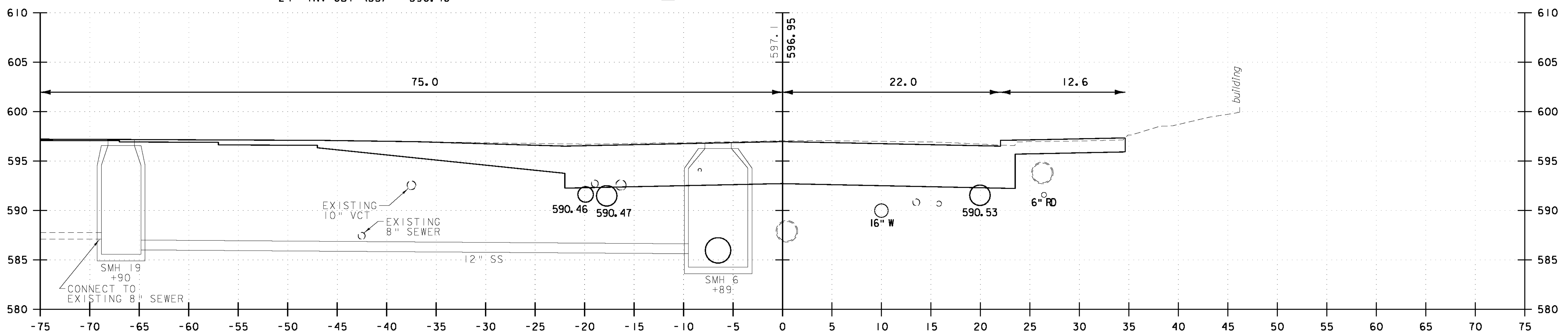
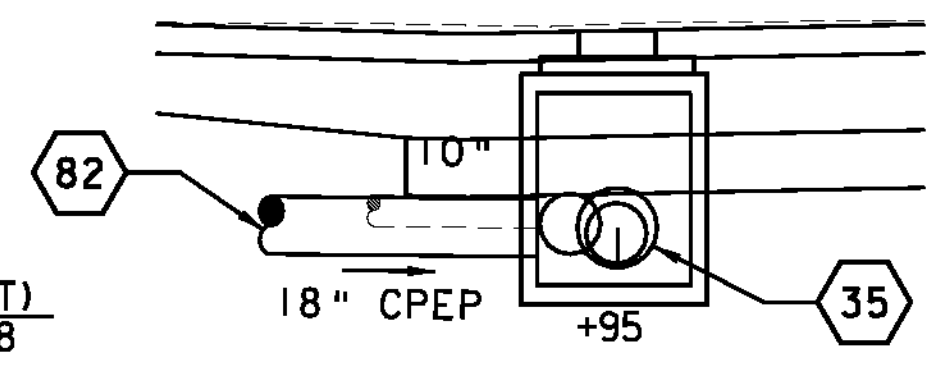
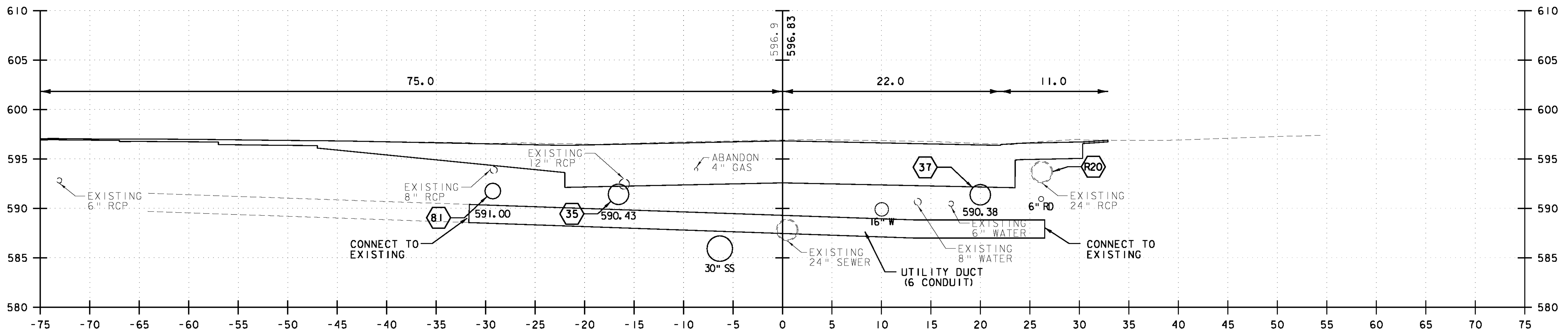


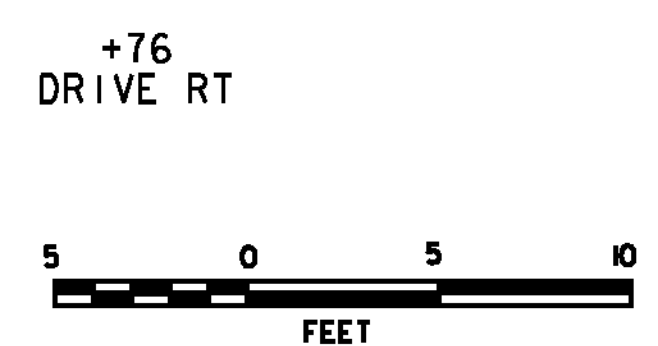
18" INV IN (36) = 590.58
 18" INV IN (81) = 590.83
 18" INV IN (82) = 590.73
 10" INV IN = 591.5 (EXIST)
 24" INV OUT (35) = 590.48



122+92



122+77



NORTH MAIN STREET (US 302)	
PROJECT NAME:	BARRE CITY
PROJECT NUMBER:	FEGC F 026-1(34) C/2
FILE NAME:	85b010_xsl_Cut_C2
PROJECT LEADER:	G. BAKOS
DESIGNED BY:	DMP / MDS
CROSS SECTIONS	
PLOT DATE:	3/9/2011
DRAWN BY:	DMP / JAR
CHECKED BY:	
SHEET	250 OF 339