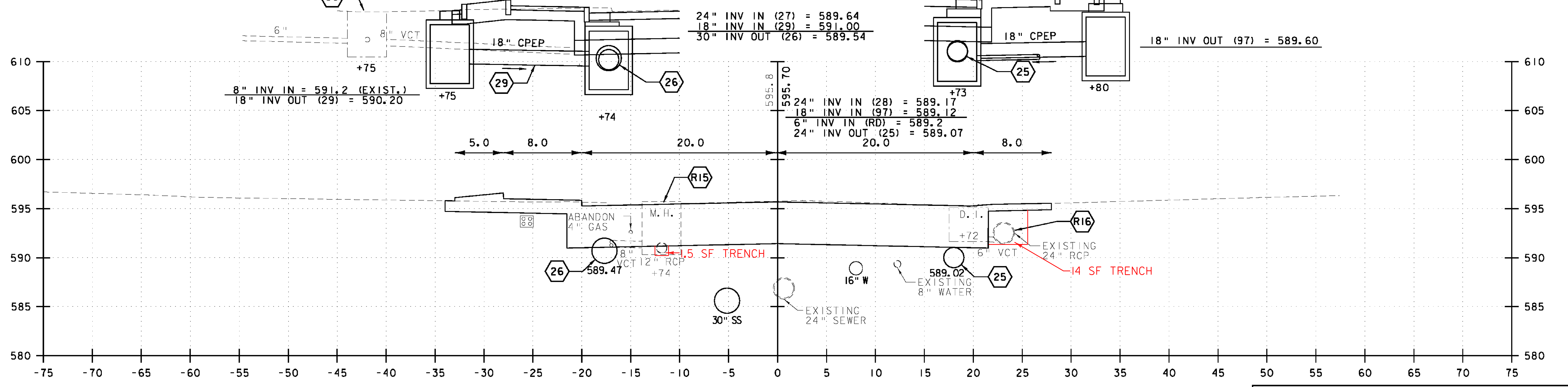


121+00



120+50

SUBBASE ~ 2.00' X 43.0' = 86.0 SF
 SAND BORROW ~ 1.50' X 43.0' = 64.5 SF

NORTH MAIN STREET (US 302)

PROJECT NAME:	BARRE CITY	PLOT DATE:	3/9/2011
PROJECT NUMBER:	FEGC F 026-(134) C/2	DRAWN BY:	DMP / JAR
FILE NAME:	85b010_xsl.Cu+1.C2	CHECKED BY:	
PROJECT LEADER:	G. BAKOS	SHEET	247 OF 339
DESIGNED BY:	DMP / MDS		
CROSS SECTIONS			

