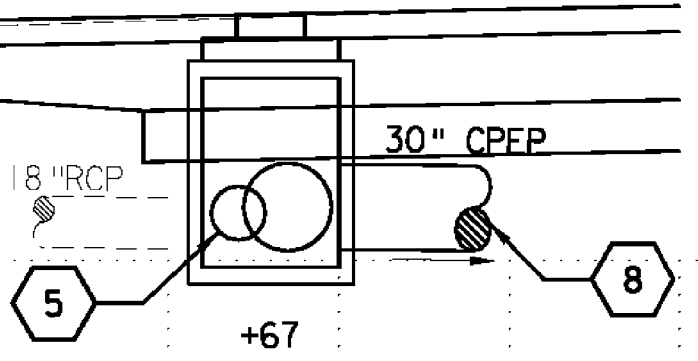
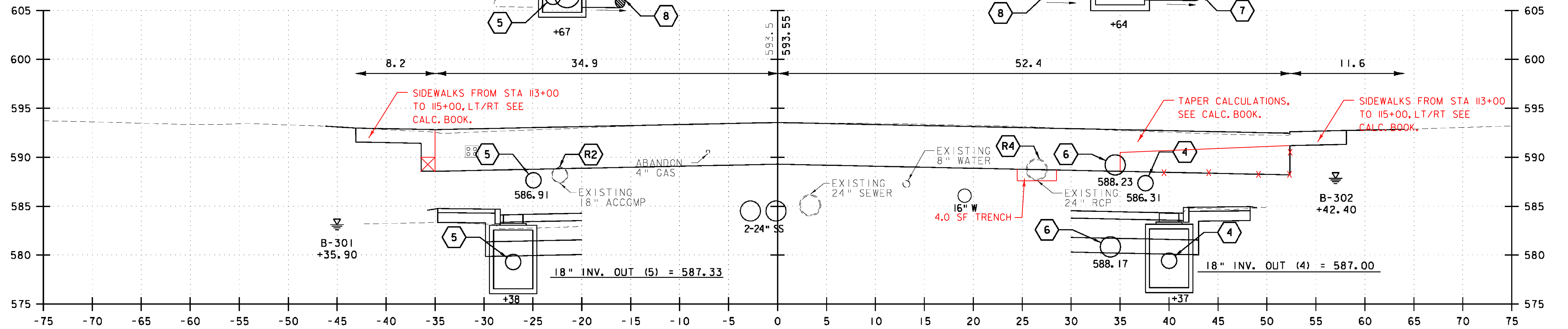
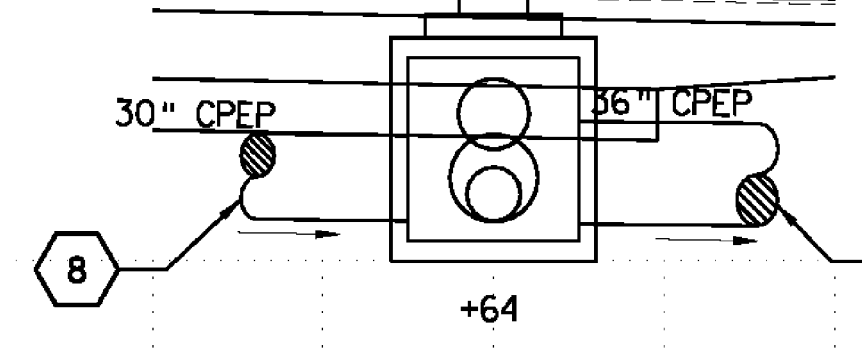


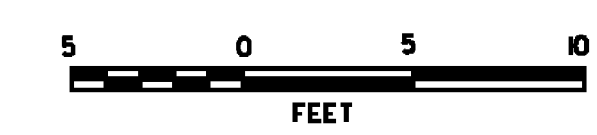
30" INV IN (10) = 586.48
 18" INV IN (5) = 586.80
 18" INV IN (E) = 586.3 (EXIST)
 30" INV OUT (8) = 586.30



30" INV IN (9) = 586.17
 30" INV IN (8) = 586.17
 18" INV IN (4) = 586.20
 36" INV OUT (7) = 586.12
 24" INV OUT (6) = 588.30 (AUX)



113+50 DENSE GRADED ~ 2.00' X 70' = 140 SF
 SAND BORROW ~ 1.50' X 70' = 105 SF



VHB Vanasse Hangen Brustlin, Inc.

NORTH MAIN STREET (US 302)

PROJECT NAME:	BARRE CITY	PLOT DATE:	3/9/2011
PROJECT NUMBER:	FEGC F 026-(134) C/2	DRAWN BY:	DMP / JAR
FILE NAME:	85b010_xsl.Cu+1.C2	CHECKED BY:	
PROJECT LEADER:	G. BAKOS	CROSS SECTIONS	SHEET 234 OF 339
DESIGNED BY:	DMP / MDS		