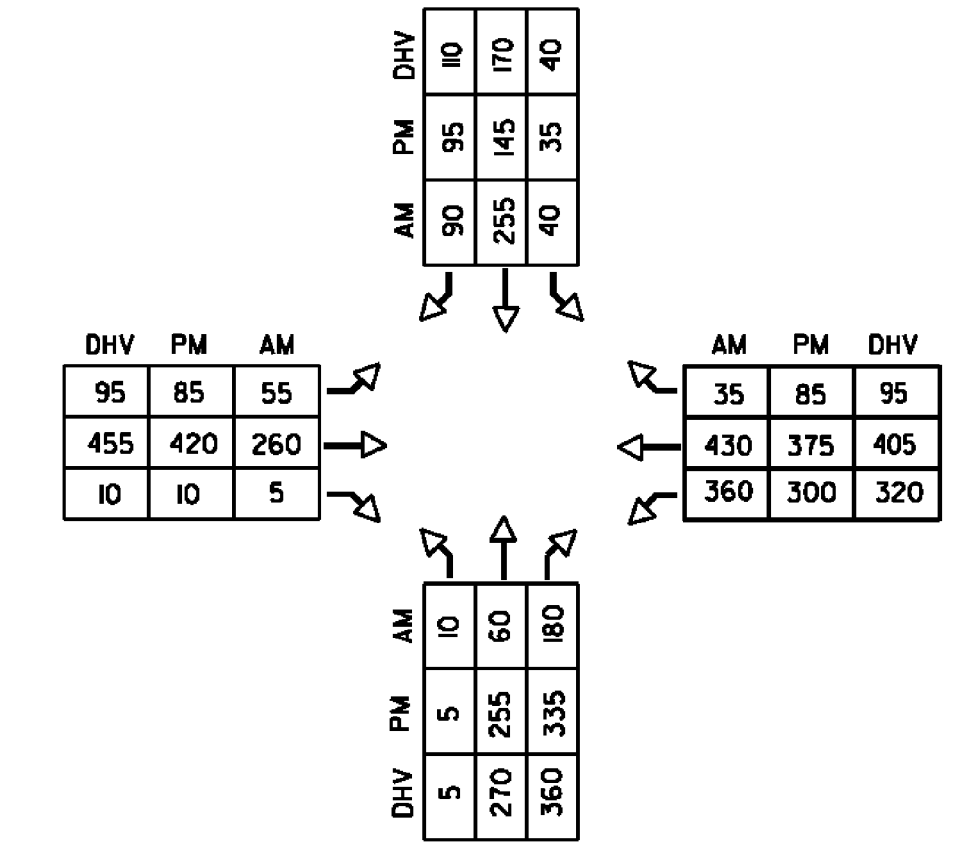


**2012 AVERAGE WEEKDAY TRAFFIC DATA**



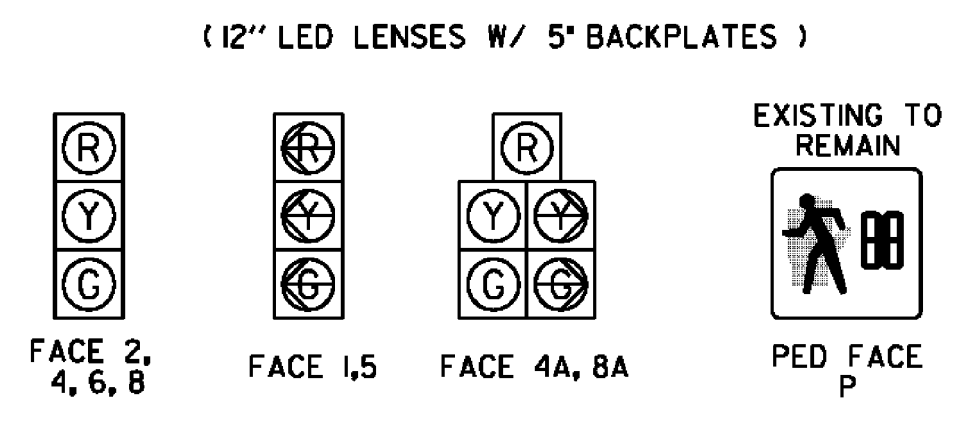
**LIST OF MAJOR EQUIPMENT**

EQUIPMENT ITEM 678.15	QUANTITY
ONE WAY, 3-SECTION, 12-INCH POLYCARBONATE MAST ARM MOUNTED LED TRAFFIC SIGNAL HEAD WITH TUNNEL VISORS AND LOUVERED BACKPLATES WITH ALL PIECES PAINTED FLAT BLACK	8
ONE WAY, 5-SECTION, 12-INCH POLYCARBONATE MAST ARM MOUNTED LED TRAFFIC SIGNAL HEAD WITH TUNNEL VISORS AND LOUVERED BACKPLATES WITH ALL PIECES PAINTED FLAT BLACK	2
ASTRO-BRACKETS	10
REINSTALL OPTICAL DETECTION EQUIPMENT WITH DETECTOR CABLES	-

**WIRED CONDUIT (PVC) AND ELECTRICAL CONDUIT SLEEVE SCHEDULE**

ITEM NUMBER	678.21		678.23		678.30		DESCRIPTION
	ELECTRICAL CONDUIT	WIRED CONDUIT	WIRED CONDUIT	CONDUIT SLEEVE	CONDUIT SLEEVE	CONDUIT SLEEVE	
CABINET TO PB #3	66	98.5	86	118.5	66	84	EX POLE SW, EX POLE SE, RR PREEMPT
PB #3 TO EX POLE SW		10	5				EX POLE SW
PB #3 TO PB #2	68	97.0	112	103	68	90	EX POLE SE, RR PREEMPT
PB #2 TO EX POLE SE		15	19				EX POLE SE
CABINET TO PB #1		15	18				EX POLE NE
PB #1 TO EX POLE NE	71		103	112	71	87	EX POLE NE
PB PREEMPT TO PB #2		203	205				RR GATES AND SIGNAL POWER
SUB-TOTALS	205	195	346	198	205	26	
ROUNDING	0	0	4	2	0	0	
TOTALS	205	195	350	200	205	26	

**SIGNAL FACE ARRANGEMENT**



AT THE COMPLETION OF PHASE IE, REINSTALL SALVAGED MAST ARMS AND INSTALL NEW SIGNAL HEADS ON NEW BRACKETS.

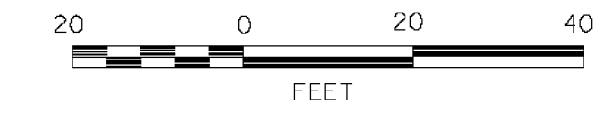
**EQUIPMENT NOTES**

- (A) SEE STANDARDS E-170, E-171A, E-171B, 171C, 173, & 175 FOR ADDITIONAL INFORMATION.
- (B) FOR SIGN DETAILS, SEE SHEETS 85-113.
- (C) SEE SHEETS 172, 174, 176, 178, & 180-191 FOR ADDITIONAL DETAILS FOR TRAFFIC CONTROL, CONSTRUCTION, AND PHASING.

**EXISTING DETECTION SCHEDULE**

OPTICAL VIDEO DETECTORS						
LOOP NO.	LANE	CALL #	SIZE	TYPE & NO. TURNS	DELAY OR PRESENCE	SLOT CHANNEL
1	WBLT	1	6X40	OPTICAL	PRESENCE	2 1
2	EBTH	2	6X40	OPTICAL	PRESENCE	4 2
3	EBRT	2	6X40	OPTICAL	5 SEC DELAY	4 3
4	SBTH	4	6X40	OPTICAL	PRESENCE	6 1
5	SBRT	4	6X40	OPTICAL	5 SEC DELAY	6 2
6	EBLT	5	6X40	OPTICAL	PRESENCE	4 1
7	WBTH	6	6X40	OPTICAL	PRESENCE	2 2
8	WBRT	6	6X40	OPTICAL	5 SEC DELAY	2 3
9	NBLT	8	6X40	OPTICAL	PRESENCE	8 1
10	NBRT	8	6X40	OPTICAL	5 SEC DELAY	8 2

DATUM  
 VERTICAL NAVD 1929  
 HORIZONTAL NAD 27



**VHB** Vanasse Hangen Brustlin, Inc.

**NORTH MAIN ST AND MAPLE AVE / RT 62**

PROJECT NAME: BARRE CITY  
 PROJECT NUMBER: FECC F 026-(134) C/2  
 FILE NAME: z085b010\_TSPSI.dgn  
 PROJECT LEADER: G. BAKOS  
 DESIGNED BY: DMP / MDS  
 TRAFFIC SIGNAL PLAN  
 PLOT DATE: 3/9/2011  
 DRAWN BY: DMP / JAR  
 CHECKED BY:  
 SHEET 165 OF 339