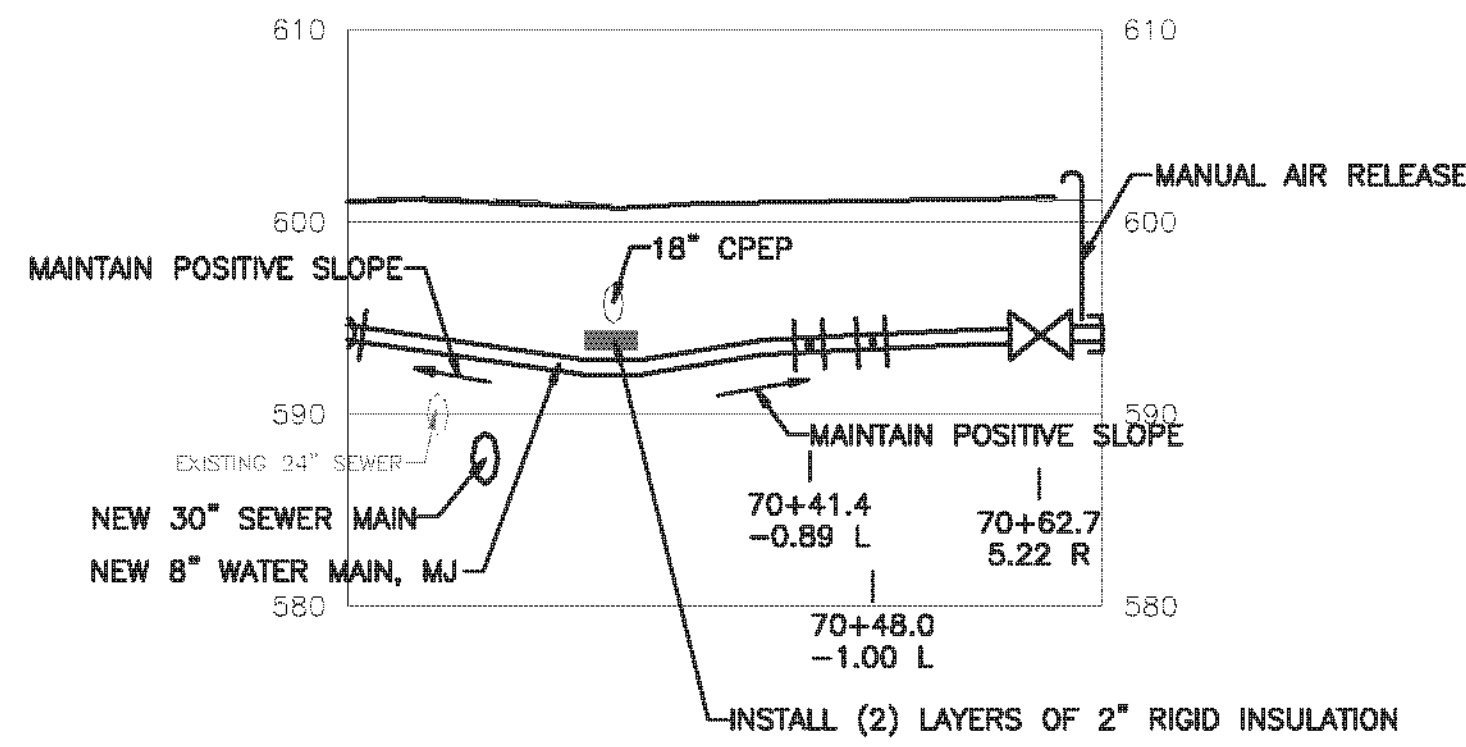
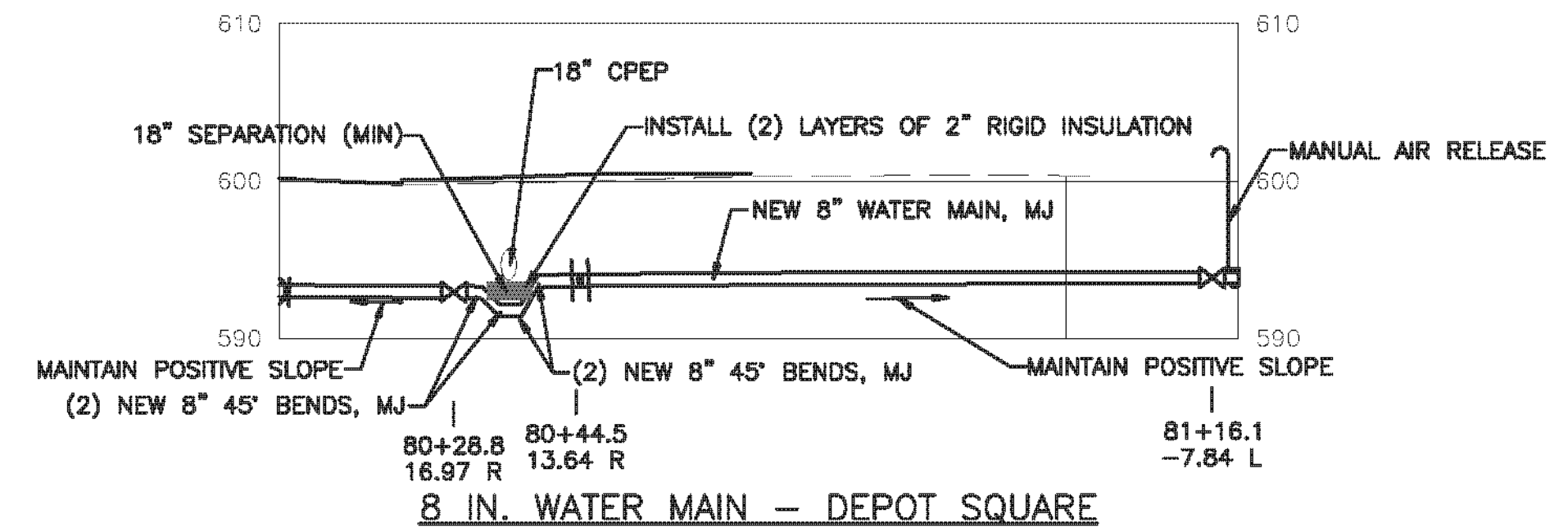


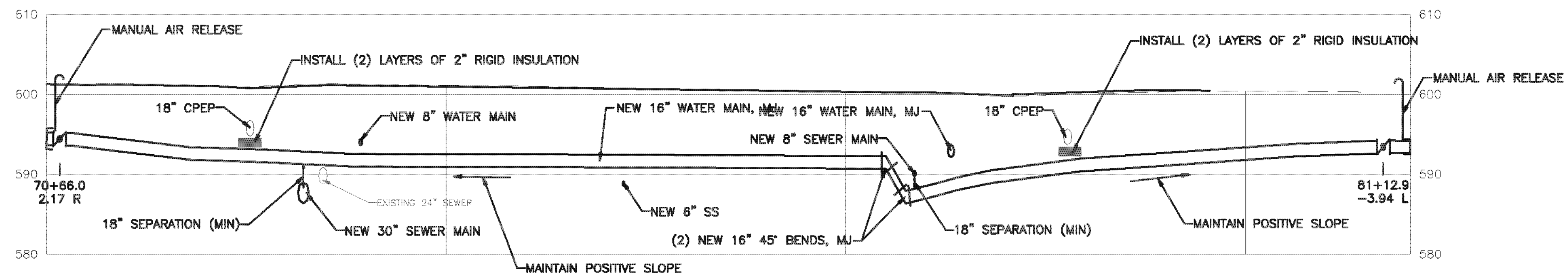
8 IN. WATER MAIN – WEST STREET



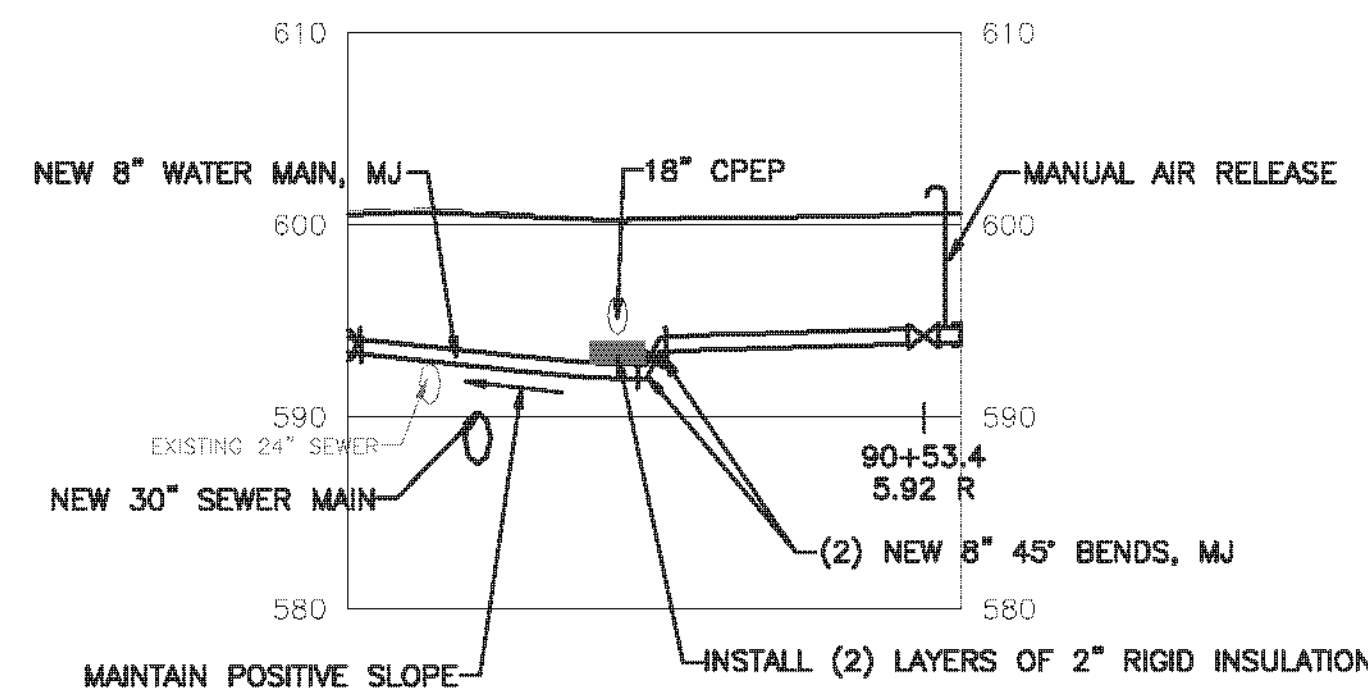
16 IN. WATER MAIN – MERCHANT STREET



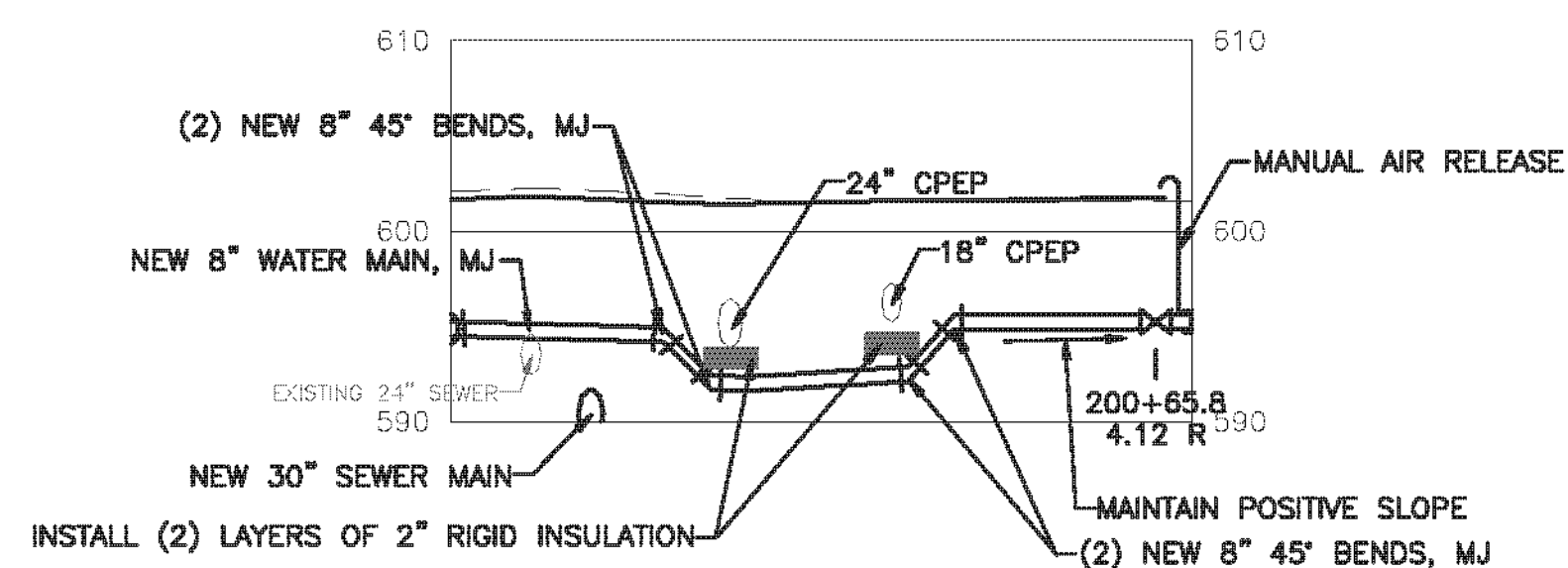
8 IN. WATER MAIN – DEPOT SQUARE



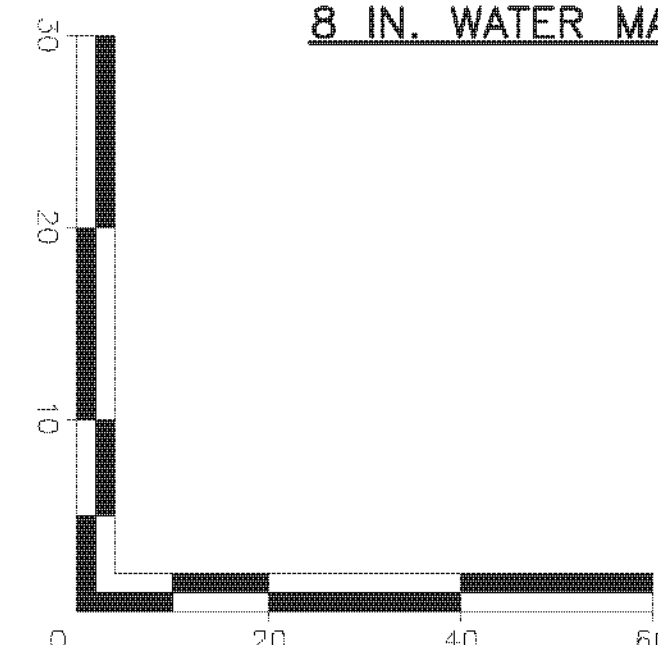
16 IN. HIGH PRESSURE WATER MAIN



8 IN. WATER MAIN – PEARL STREET



8 IN. WATER MAIN – KEITH AVENUE



- NOTES:**
1. SEE SHEET 133 FOR GENERAL NOTES, LEGEND, AND ABBREVIATIONS.
  2. STATIONING SHOWN HEREON IS BASED ON ROAD CENTERLINE AS PER VIRANS REQUIREMENTS AND MAY NOT REFLECT PROPER PIPE LENGTHS.
  3. SEE SHEETS 134-138 FOR PLAN INFORMATION.
  4. SEE SHEETS 150 AND 154 FOR DETAILS.

 DUFRESNE GROUP CONSULTING ENGINEERS *** Dufresne Group is owned by Dufresne & Associates, PC	PROJECT NAME: BARRE CITY PROJECT NUMBER: FEFC F 026-1(34) C/2	PLOT DATE: Feb. 18, 11 DRAWN BY: B.L. BAKER CHECKED BY: C.L. WHITHEAD
	FILE NAME: 717014-PROFILES PROJECT LEADER: R.E. DUFRESNE DESIGNED BY: B.L. BAKER WATER PROFILES	SHEET 153 OF 339