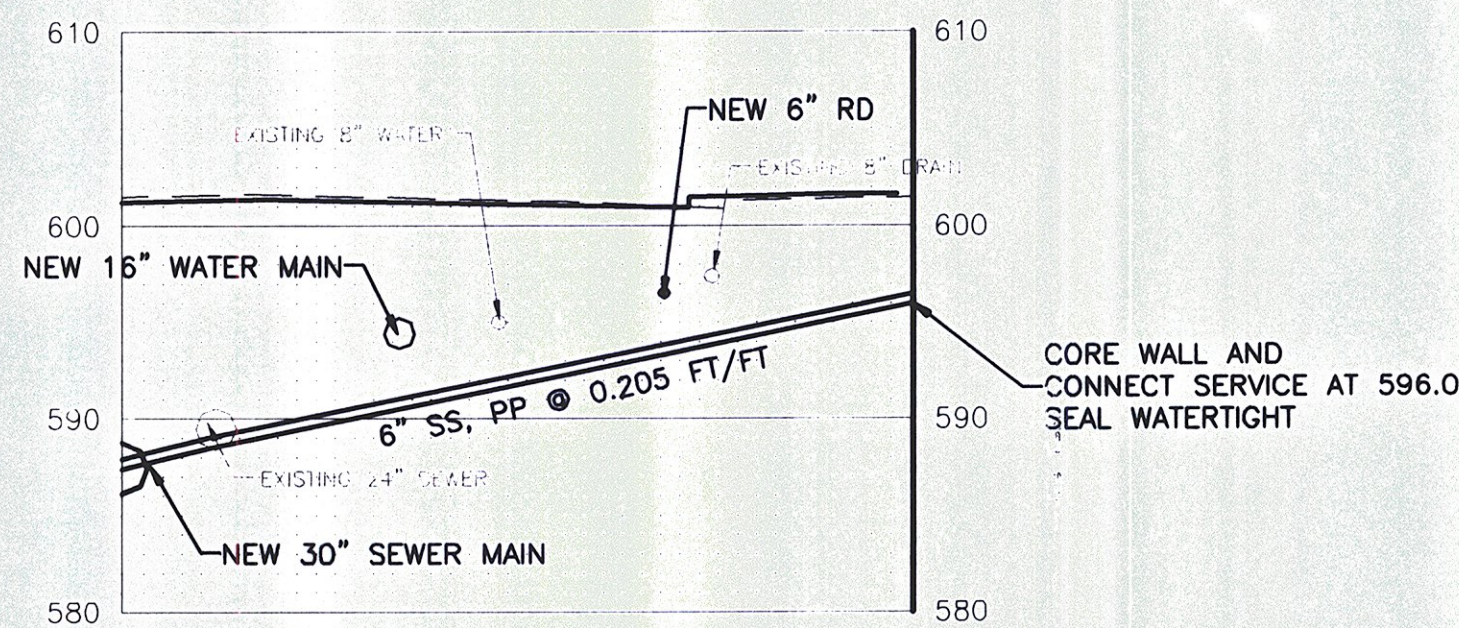
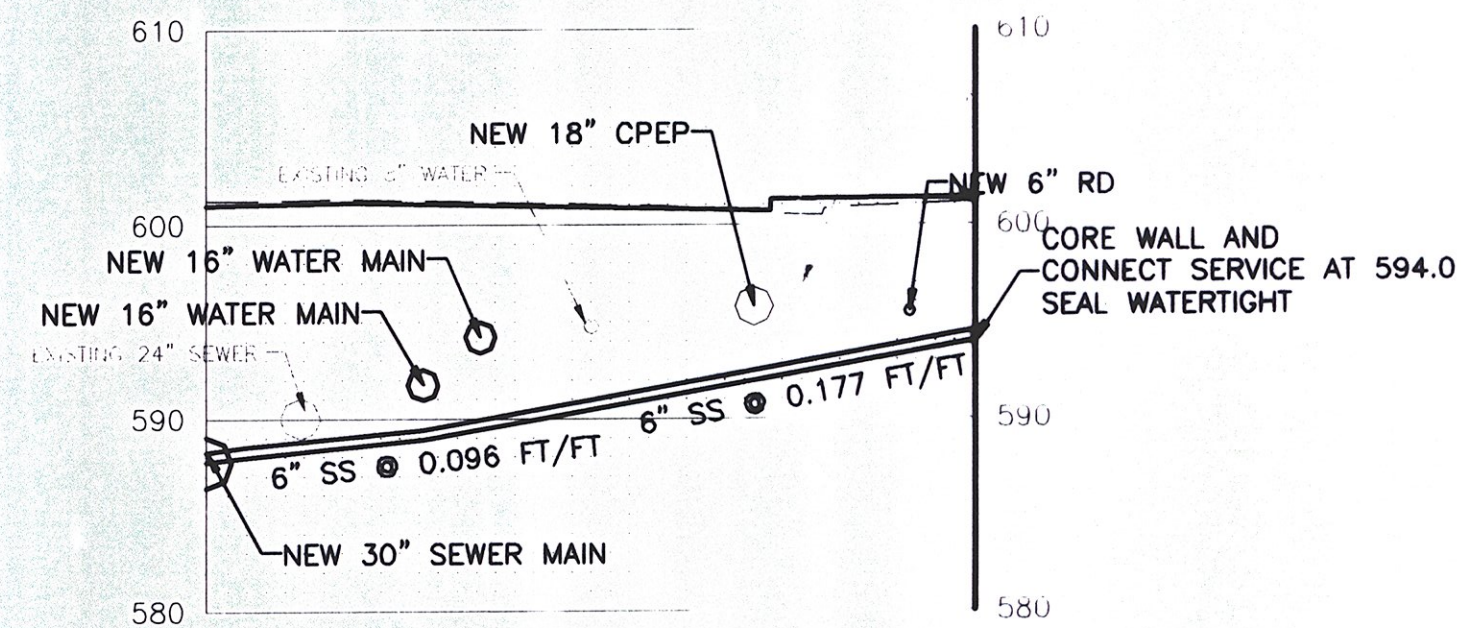


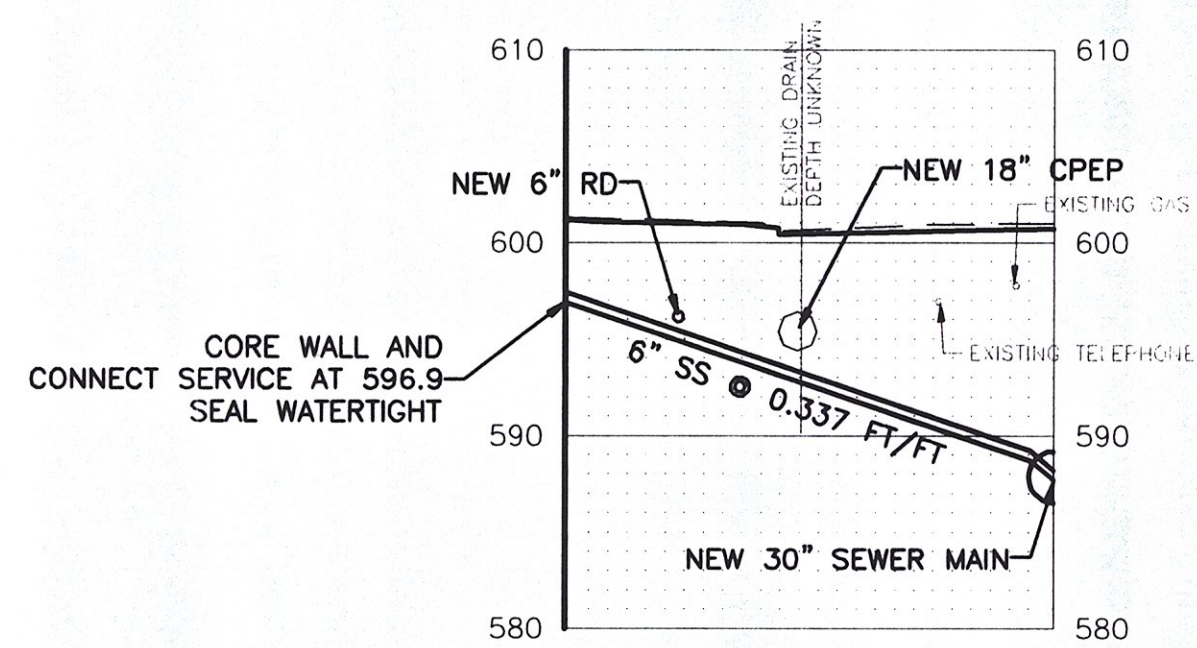
128+23
248 NORTH MAIN STREET



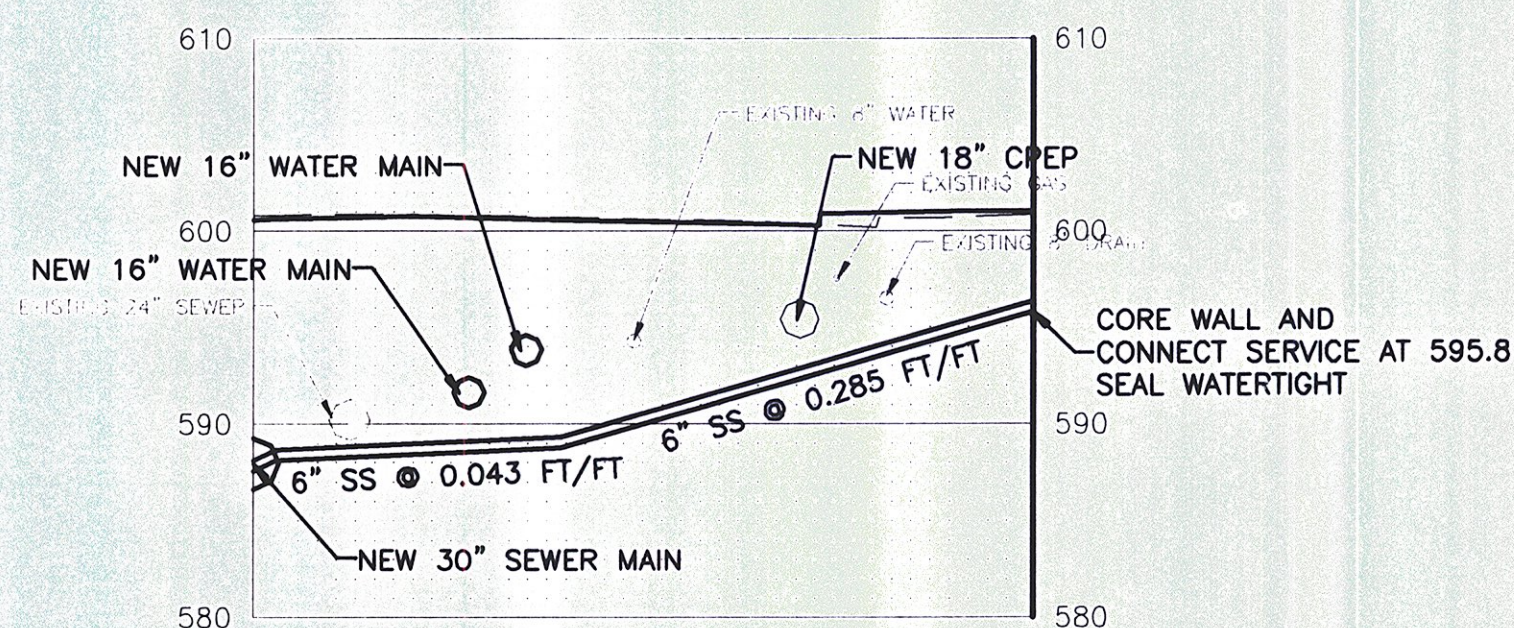
128+26
240 NORTH MAIN STREET



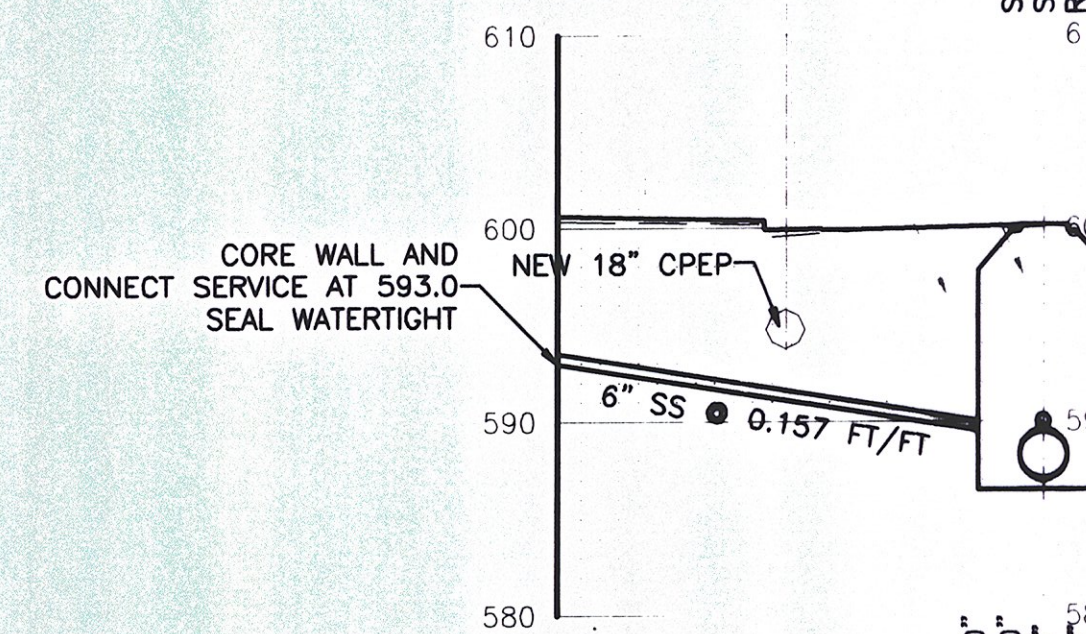
128+84
224-230 NORTH MAIN STREET



129+23
237-241 NORTH MAIN STREET



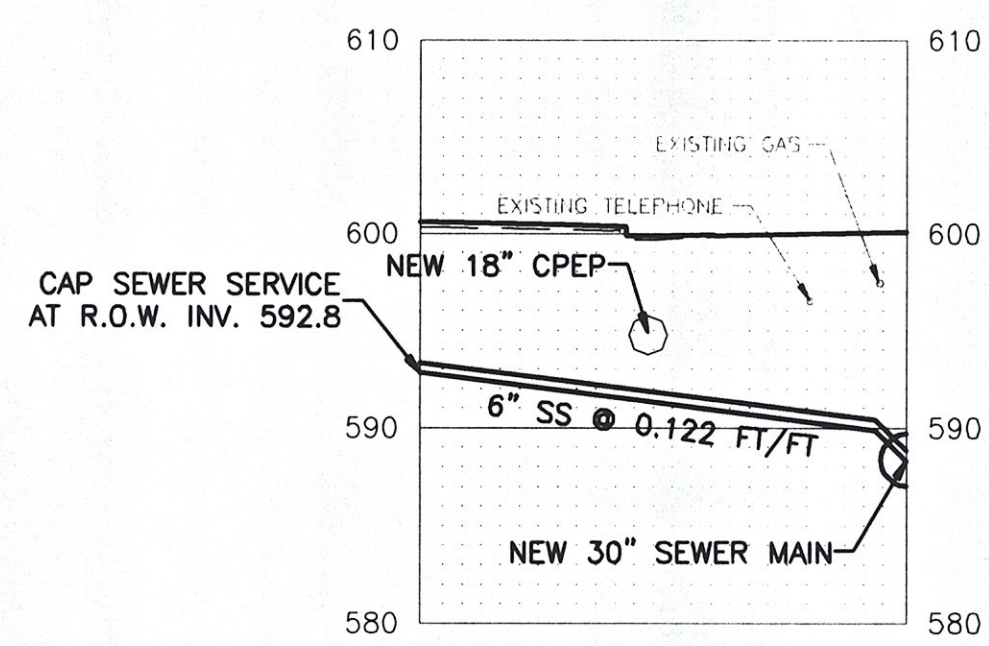
129+44
214 NORTH MAIN STREET



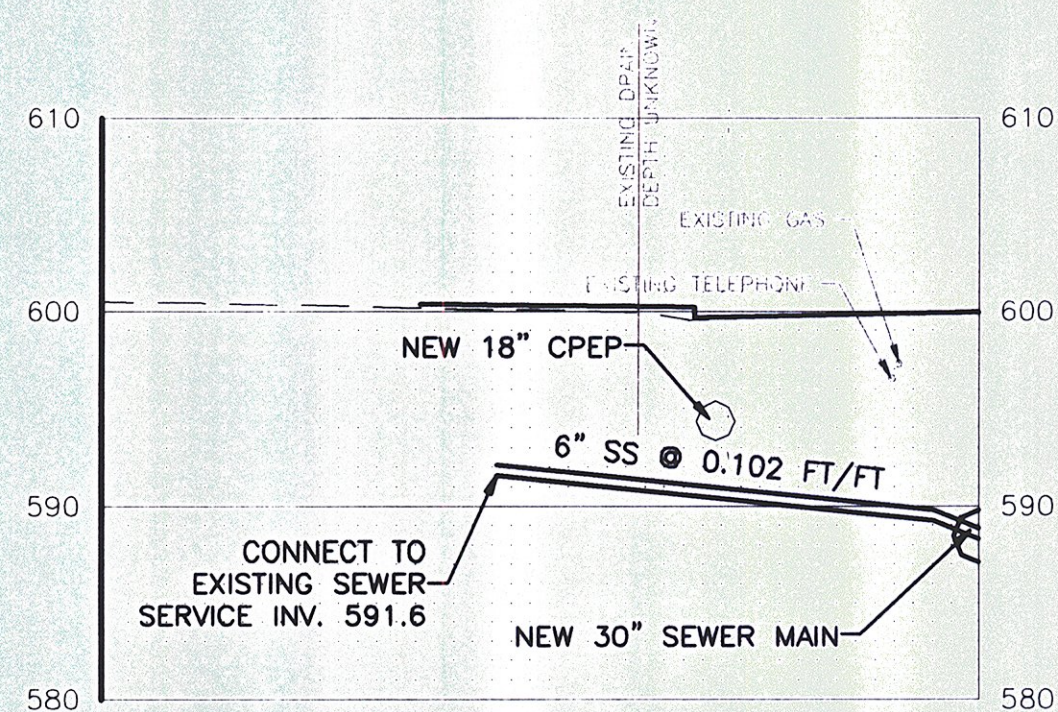
130+16
219 NORTH MAIN STREET

SMH 10
STA: 130+15.50 OFF: -7.38L
RIM: 600.15

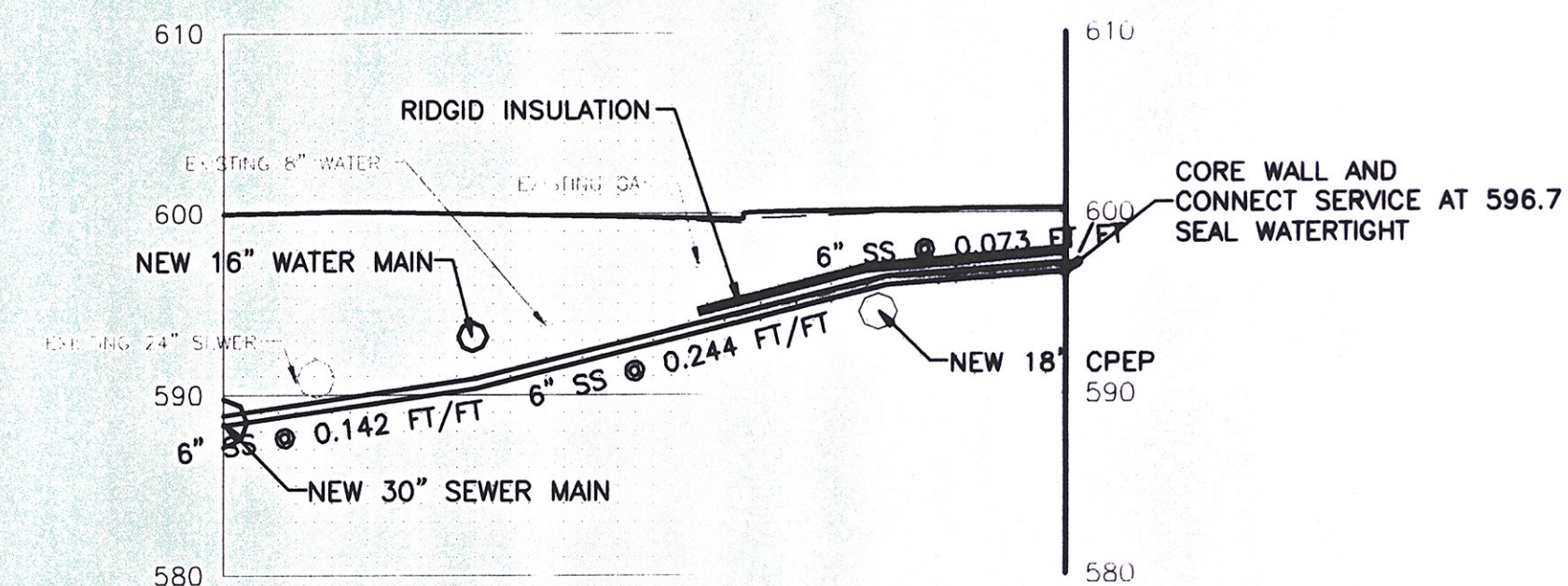
INV. OUT: 587.00 30"
INV. IN: 587.10 30"
INV. IN: 589.70 8"
INV. IN: 589.00 6"



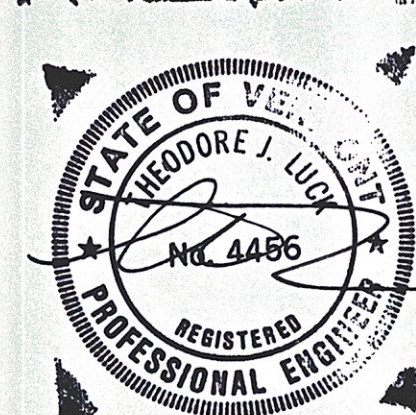
130+24
213 NORTH MAIN STREET



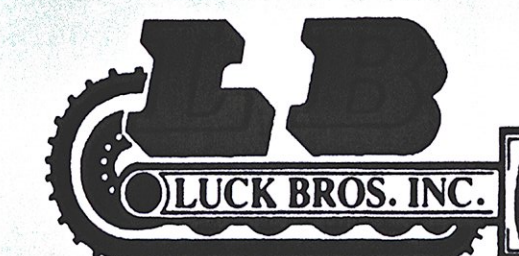
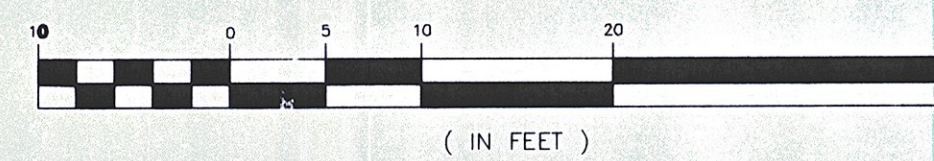
130+75
199-205 NORTH MAIN STREET



130+81
210 NORTH MAIN STREET



GRAPHIC SCALE



PROJECT INFORMATION		NOTES / REVISIONS
PROJECT NAME:	BARRE CITY	ISSUED: 2/7/2012
PROJECT NUMBER:	FEGC F 026-1(34) C/2	
FILE NAME:	SAN PROFILES	
MANAGER:	J. LUCK	
DRAWN BY:	C. KEMPNEY	
PROPOSED REDESIGN SANITARY SEWER PROFILES		
		<i>Sheet 146 revised</i>