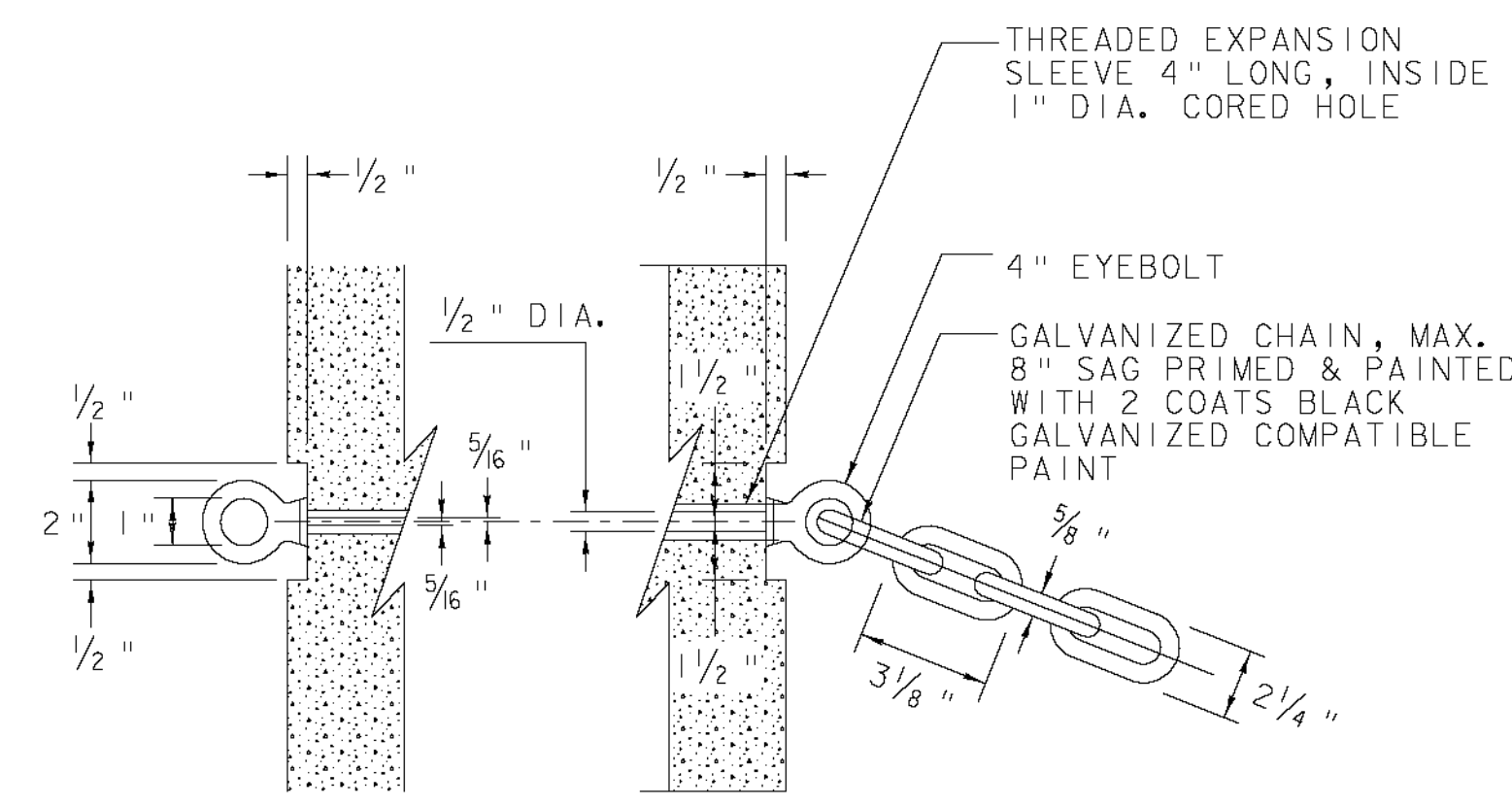
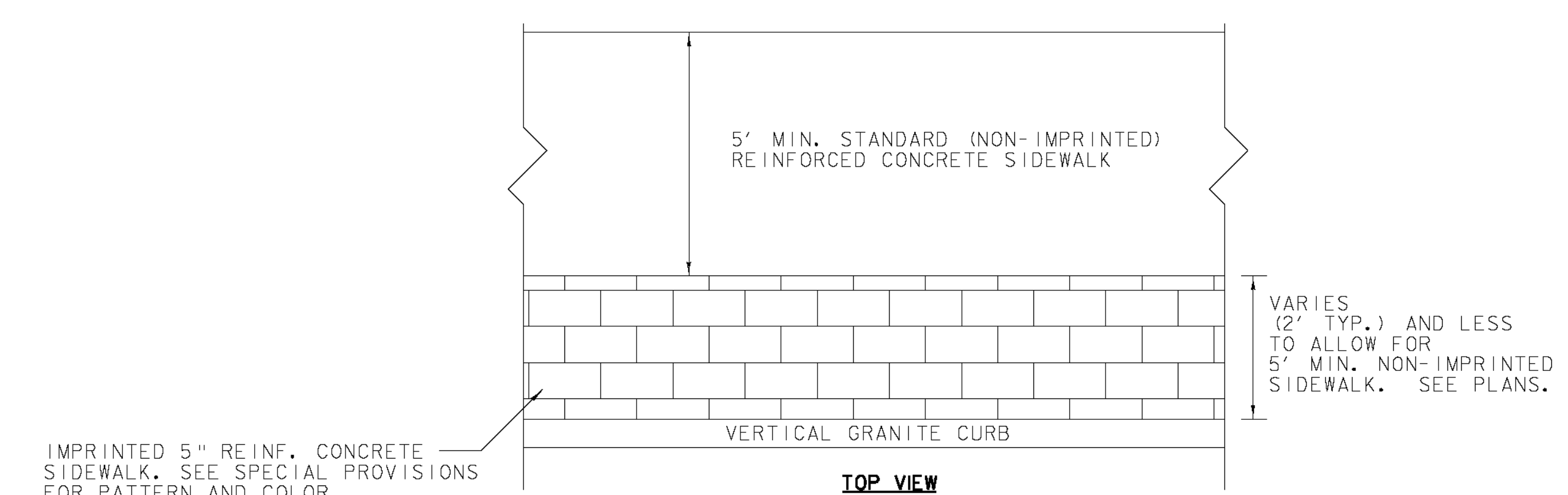


- NOTES:**
- LAYOUT TREE STAKES PARALLEL W/ ROADWAY AS SHOWN IN PLAN VIEW.
  - ADJUST COBBLESTONES FOR HARD WOOD STAKES

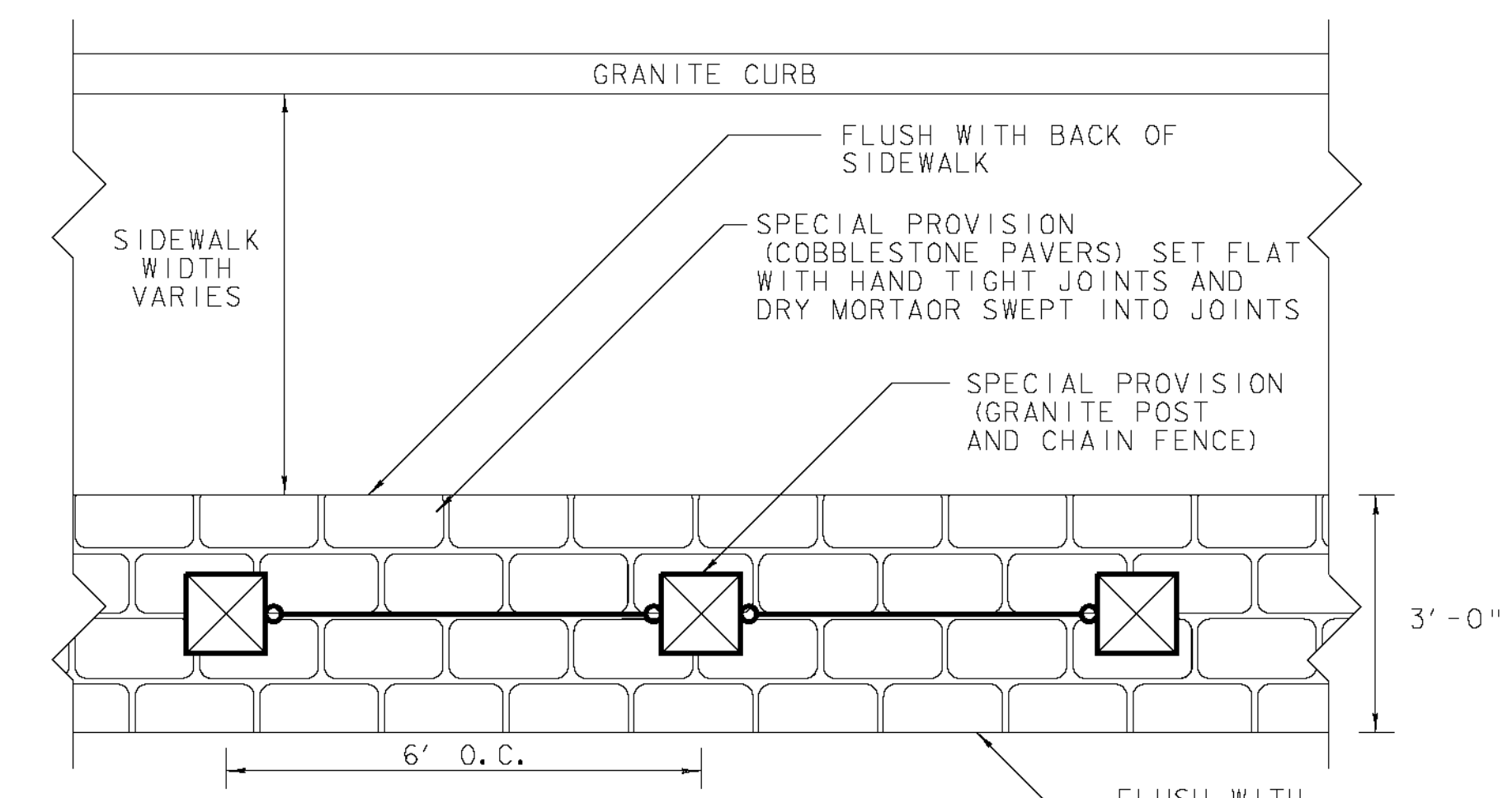


NOTE: END POST WILL HAVE ONLY ONE EYEBOLT TO CONNECT CHAIN

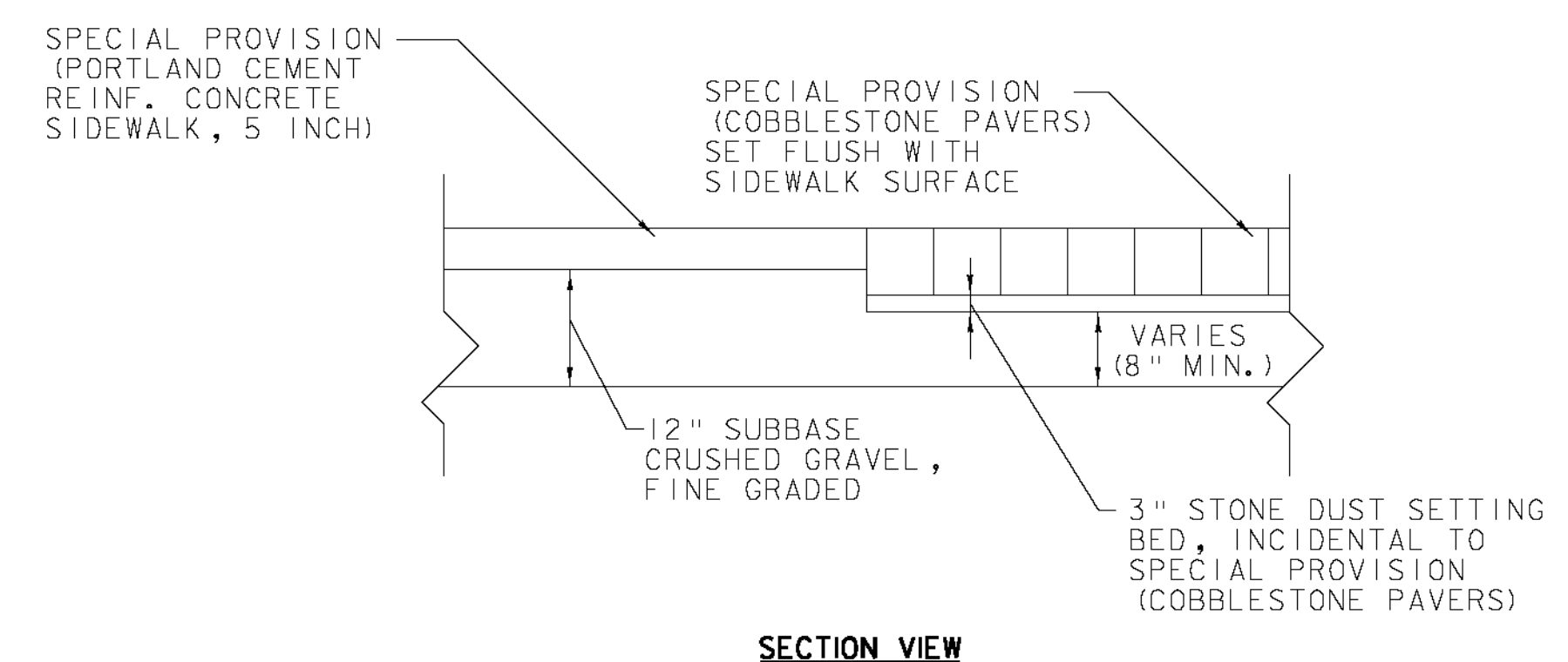
**SPECIAL PROVISION (GRANITE POST AND CHAIN FENCE) SECTION DETAIL**  
N.T.S.



**TYPICAL CONCRETE SIDEWALK TREATMENT**  
SEE PLANS FOR LOCATIONS  
N.T.S.



**GRANITE POST LAYOUT AT PARKING LOTS ON MAIN ST. AS SHOWN ON PLANS**  
N.T.S.



**TYPICAL CONCRETE SIDEWALK / COBBLESTONE MATCH**  
N.T.S.

PROJECT NAME: BARRE CITY	PROJECT NUMBER: FECC F 026-1(34) C/2
FILE NAME: 85b010.LDSDET_C2	PROJECT LEADER: G. BAKOS
DESIGNED BY: DMP / MDS	DRAWN BY: DMP / JAR
LANDSCAPING DETAILS #1	CHECKED BY:
	SHEET 91 OF 339