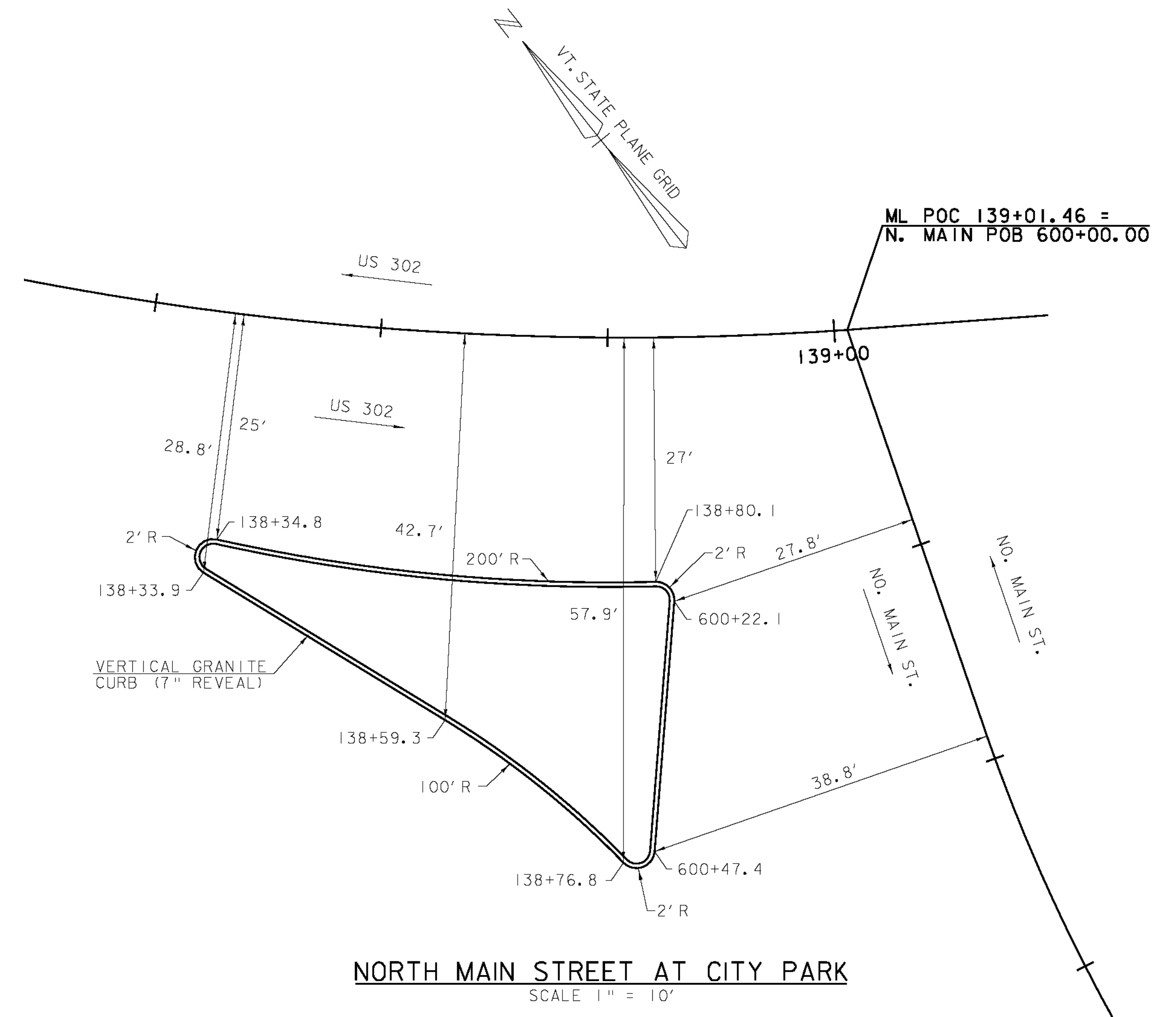
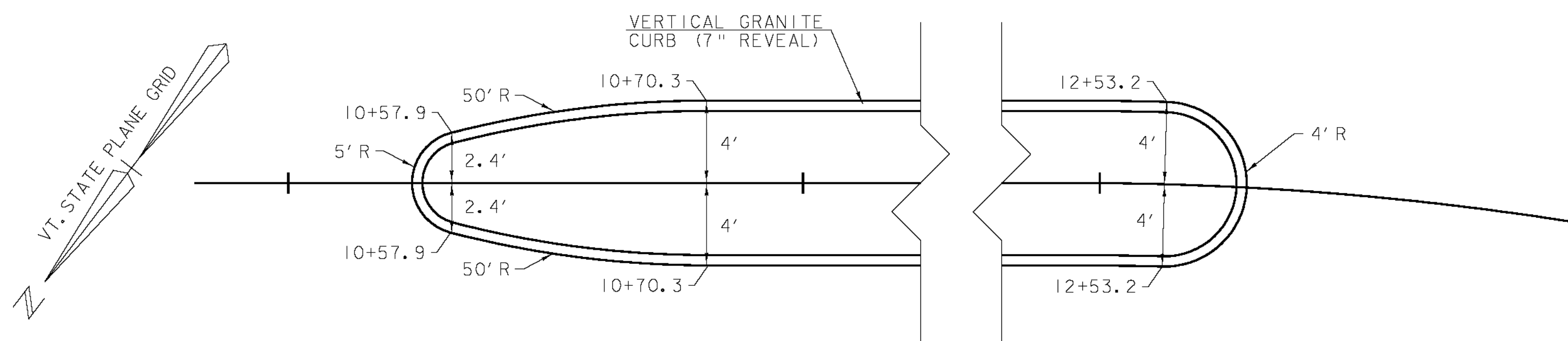


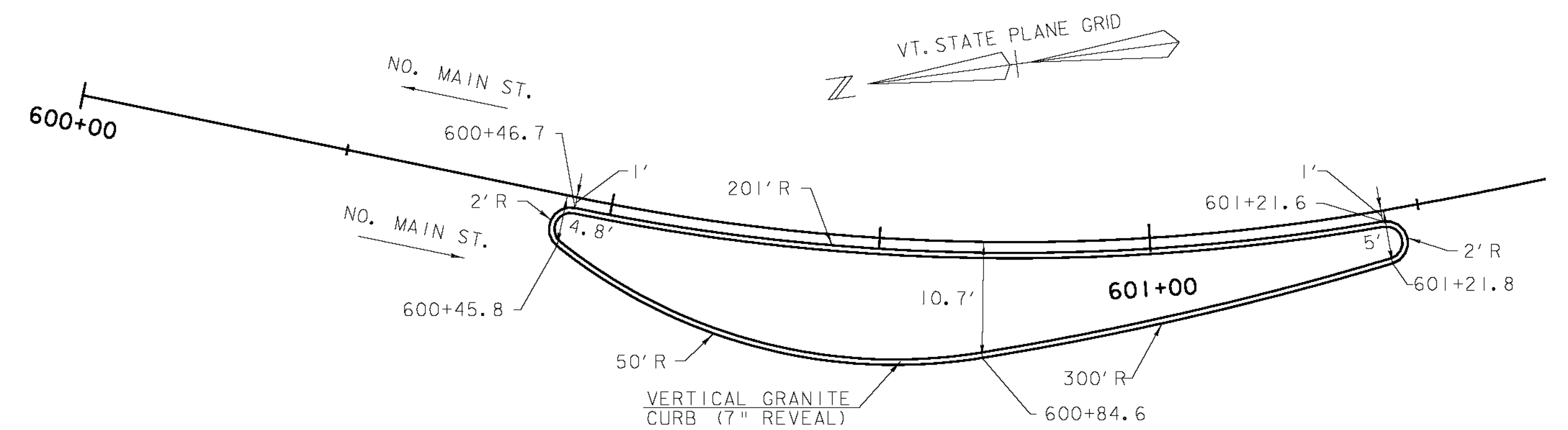
**MAPLE AVENUE**  
SCALE 1" = 10'



**NORTH MAIN STREET AT CITY PARK**  
SCALE 1" = 10'



**VT ROUTE 62**  
SCALE 1" = 5'



**VT 14 AT CITY PARK**  
SCALE 1" = 10'

**CURBED ISLAND DETAILS**

PROJECT NAME: BARRE CITY	PLOT DATE: 3/9/2011
PROJECT NUMBER: FECC F 026-1(34) C/2	DRAWN BY: DMP / JAR
FILE NAME: 85b010_DET_C2	CHECKED BY:
PROJECT LEADER: G. BAKOS	SHEET 44 OF 339
DESIGNED BY: DMP / MDS	
CURBED ISLAND DETAILS	