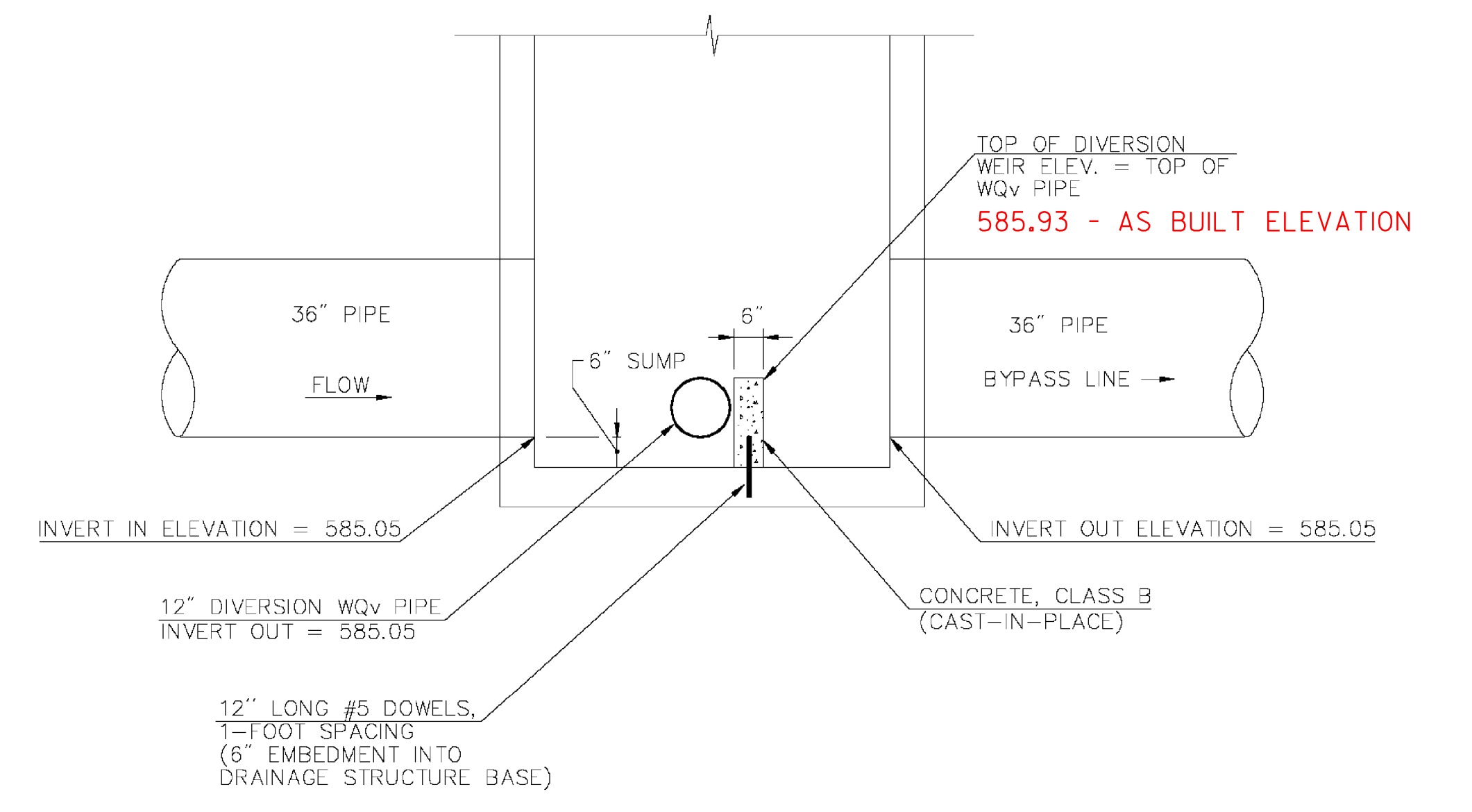
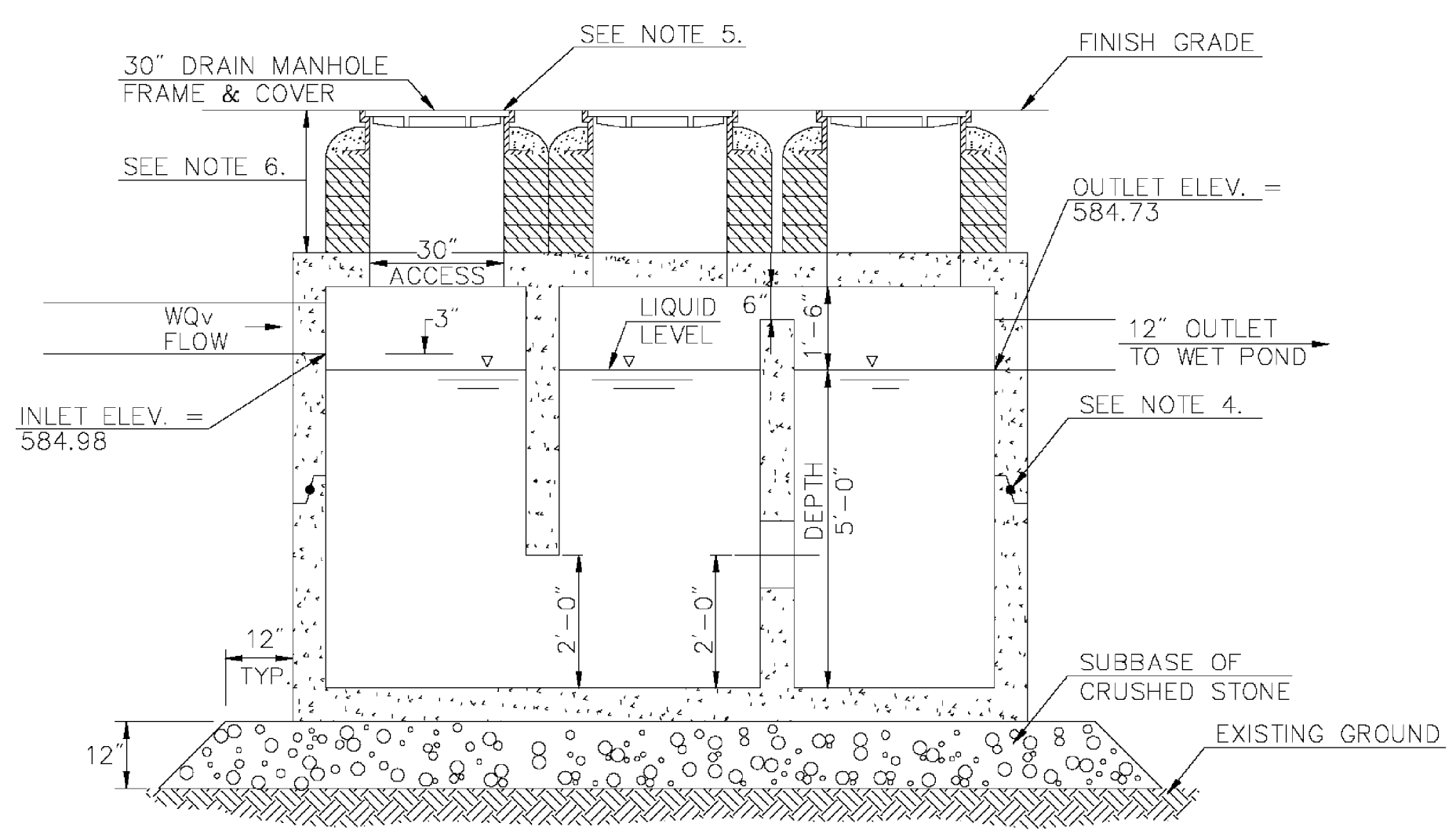


Plan View



Section A-A

SPECIAL PROVISION (PRECAST REINFORCED CONCRETE MANHOLE WITH CAST IRON COVER AND DIVERSION WEIR) (6' DIA.)



Section B-B

Special Provision (Off-Line Particle Separator)
N.T.S.

Notes:

1. PARTICLE SEPARATOR SHALL BE A PRECAST TANK WITH PRECAST BAFFLES AS SHOWN.
2. STRUCTURES SHALL BE DESIGNED FOR HS-20 LOADING.
3. PROVIDE "V" KNOCKOUTS FOR PIPES WITH 2" MAX. CLEARANCE TO OUTSIDE OF PIPE. MORTAR ALL PIPE CONNECTIONS.
4. JOINT SEALANT BETWEEN ALL SECTIONS SHALL BE PREFORMED BUTYL RUBBER
5. DRAIN MANHOLE FRAME AND COVER SHALL BE SET IN FULL MORTAR BED. ADJUST TO GRADE WITH EITHER GRADE RINGS OR A SYNTHETIC RISER WITH ADHESIVE
6. PRECAST CONCRETE RISERS SHALL BE USED TO BRING MANHOLE FRAMES AND COVERS TO FINISHED GRADE WHEN DEPTH TO TOP OF STRUCTURE EXCEEDS 24 INCHES.



PROJECT NAME: BARRE CITY	PLOT DATE: 3/21/2011
PROJECT NUMBER: FEGC F 026-1(34) C/2	DRAWN BY: DMP / JAR
FILE NAME: z85b010.DDET_C2.dgn	CHECKED BY:
PROJECT LEADER: G. BAKOS	SHEET 8 OF 339
DESIGNED BY: DMP / MDS	
DRAINAGE DETAILS #1	