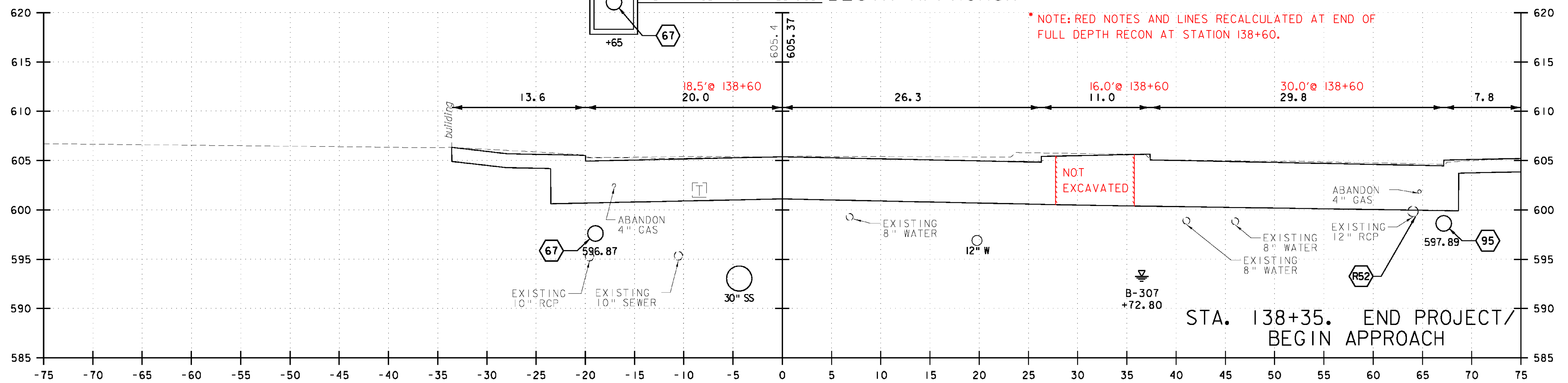


139+00

STA. 138+60. END PROJECT/
BEGIN APPROACH

18" INV OUT (67) = 597.00

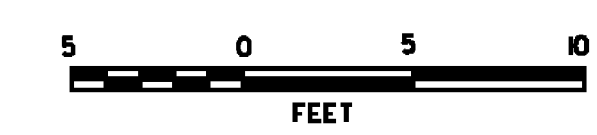
* NOTE: RED NOTES AND LINES RECALCULATED AT END OF
FULL DEPTH RECON AT STATION 138+60.



138+50.60

SAND BORROW @ 138+60 ~ 1.50' X 80.8' = 121.2 SF
SUBBASE @ 138+60 ~ 2.00' X 80.8' = 161.6 SF

STA. 138+35. END PROJECT/
BEGIN APPROACH



VHB Vanasse Hangen Brustlin, Inc.

NORTH MAIN STREET (US 302)

PROJECT NAME:	BARRE CITY	PLOT DATE:	3/9/2011
PROJECT NUMBER:	FEGC F 026-(134) C/2	DRAWN BY:	DMP / JAR
FILE NAME:	85b010_xsl.Cu+1.C2	CHECKED BY:	
PROJECT LEADER:	G. BAKOS	CROSS SECTIONS	SHEET 273 OF 339
DESIGNED BY:	DMP / MDS		