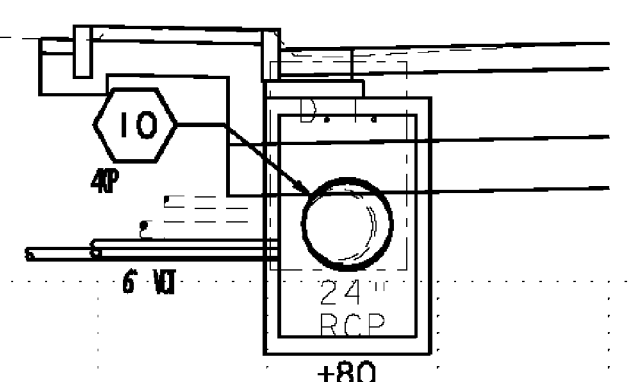
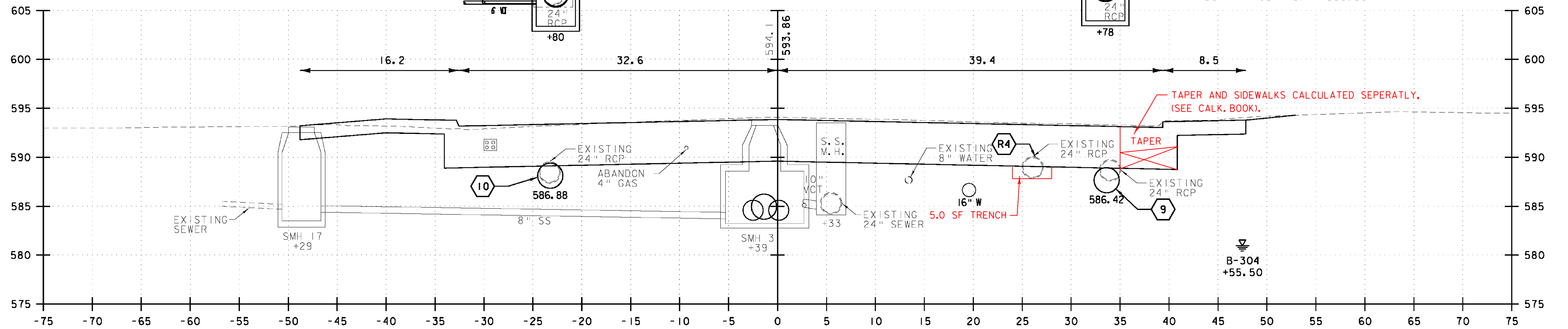
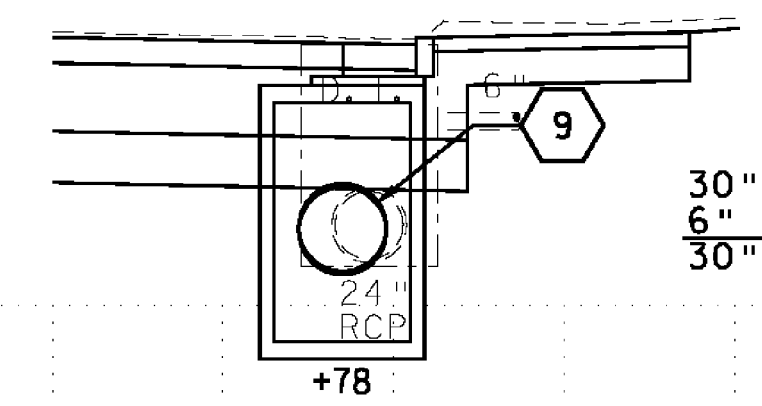


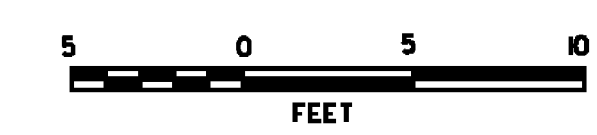
30" INV IN (12) = 587.12  
 6" INV IN = 587.1 (RD)  
 4" INV IN = 588.1 (RD)  
 30" INV OUT (10) = 587.02



30" INV IN (11) = 586.60  
 6" INV IN = 590.6 (EXIST)  
 30" INV OUT (9) = 586.50



114+50 DENSE GRADED ~ 2.00' X 69' = 138.0 SF  
 SAND BORROW ~ 1.50' X 69' = 103.5 SF



**VHB** Vanasse Hangen Brustlin, Inc.

NORTH MAIN STREET (US 302)	
PROJECT NAME:	BARRE CITY
PROJECT NUMBER:	FEGC F 026-(134) C/2
FILE NAME:	85b010_xsl.Cu+1.C2
PROJECT LEADER:	G. BAKOS
DESIGNED BY:	DMP / MDS
CROSS SECTIONS	
PLOT DATE:	3/9/2011
DRAWN BY:	DMP / JAR
CHECKED BY:	
SHEET	236 OF 339