

SECTION VIEW

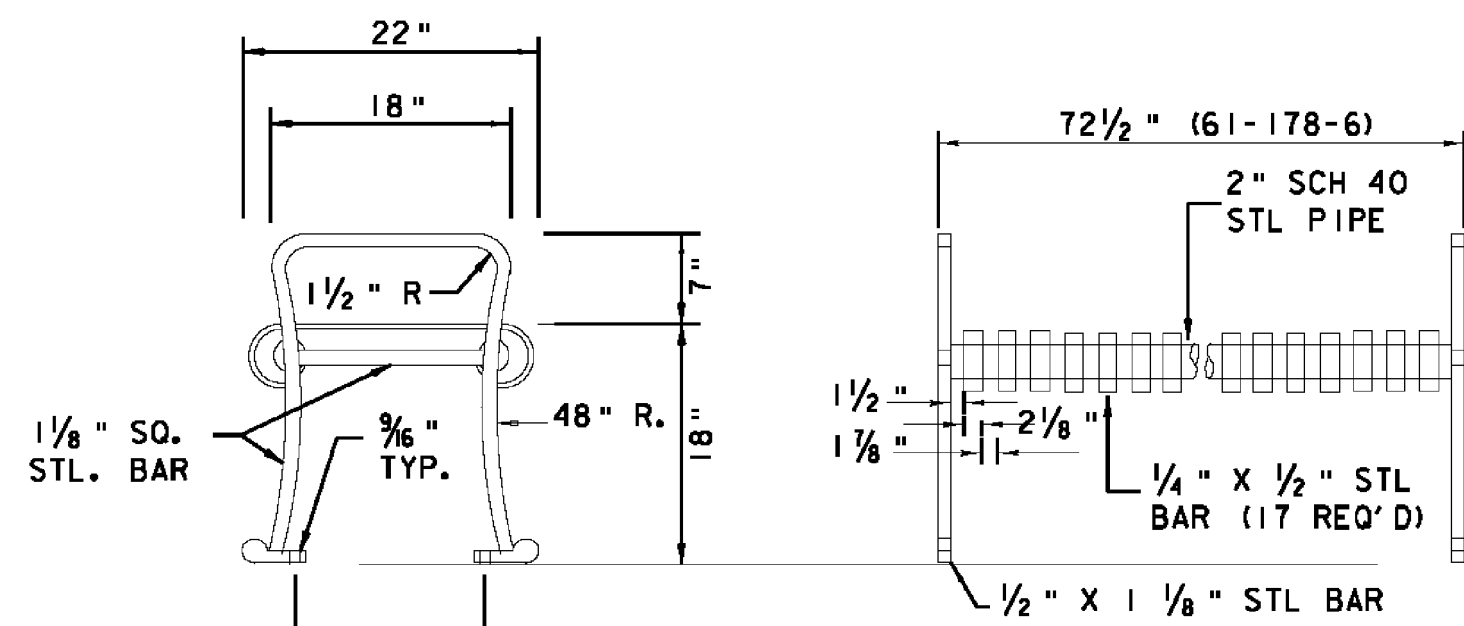


PLAN VIEW

NOTES:

1. BIKE RACK AND HARDWARE FINISHED WITH POLYESTER POWDER COATING - BLACK.
2. SHALL NOT BE MOUNTED WITHIN 24" PARALLEL TO BUILDING, OBJECT, OR ROADWAY.
3. SHALL NOT BE MOUNTED WITHIN 30" PERPENDICULAR TO BUILDING, OBJECT, OR ROADWAY.

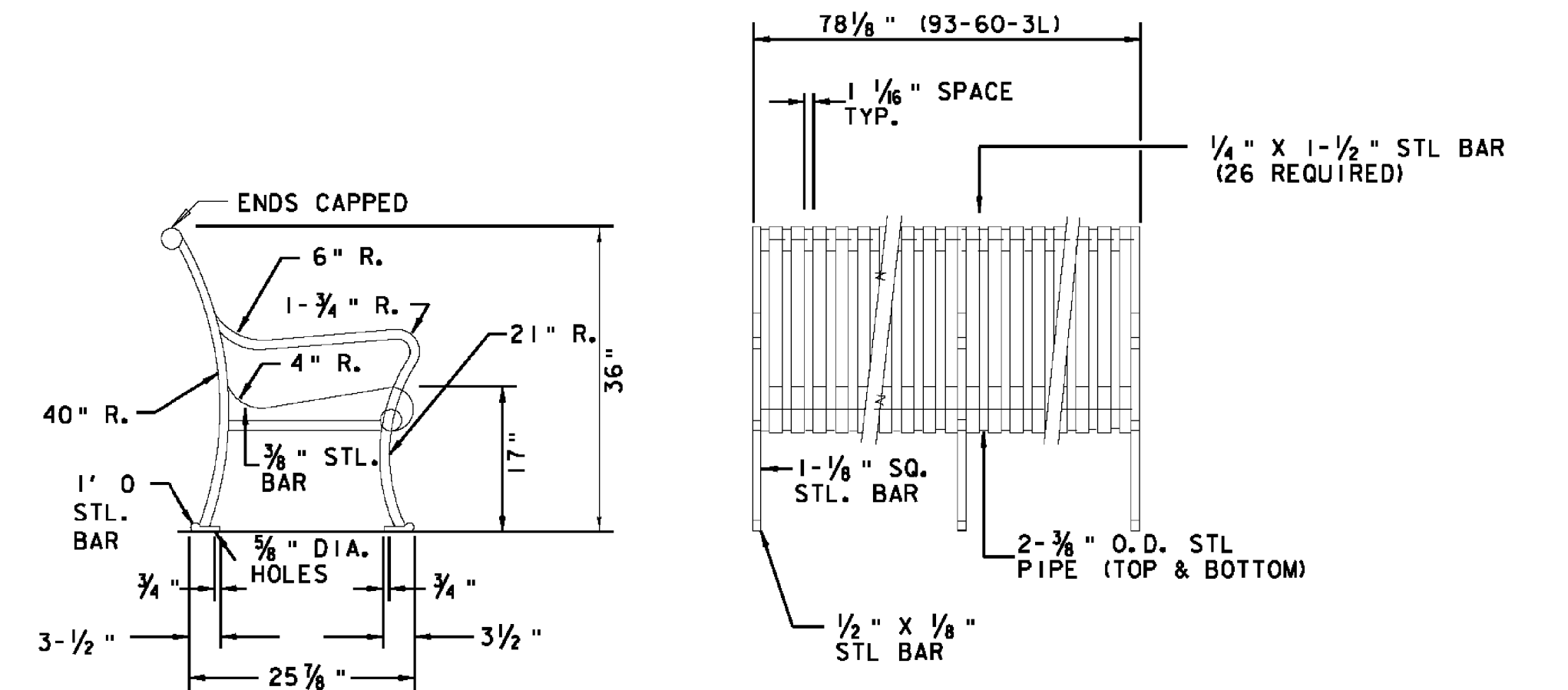
SPECIAL PROVISION (BICYCLE RACK)
N.T.S.



NOTES:

1. BENCH IS WELDED COMPLETELY INTO ONE UNIT AT FACTORY
2. ALL WELDS CONT. THEN GROUND SMOOTH
3. BENCH FINISHED W/ POLYESTER POWDER COATING - BLACK
4. 8" GALV. STEEL ANCHOR BOLTS IN EPOXY GROUT BY INSTALLER, TYP.

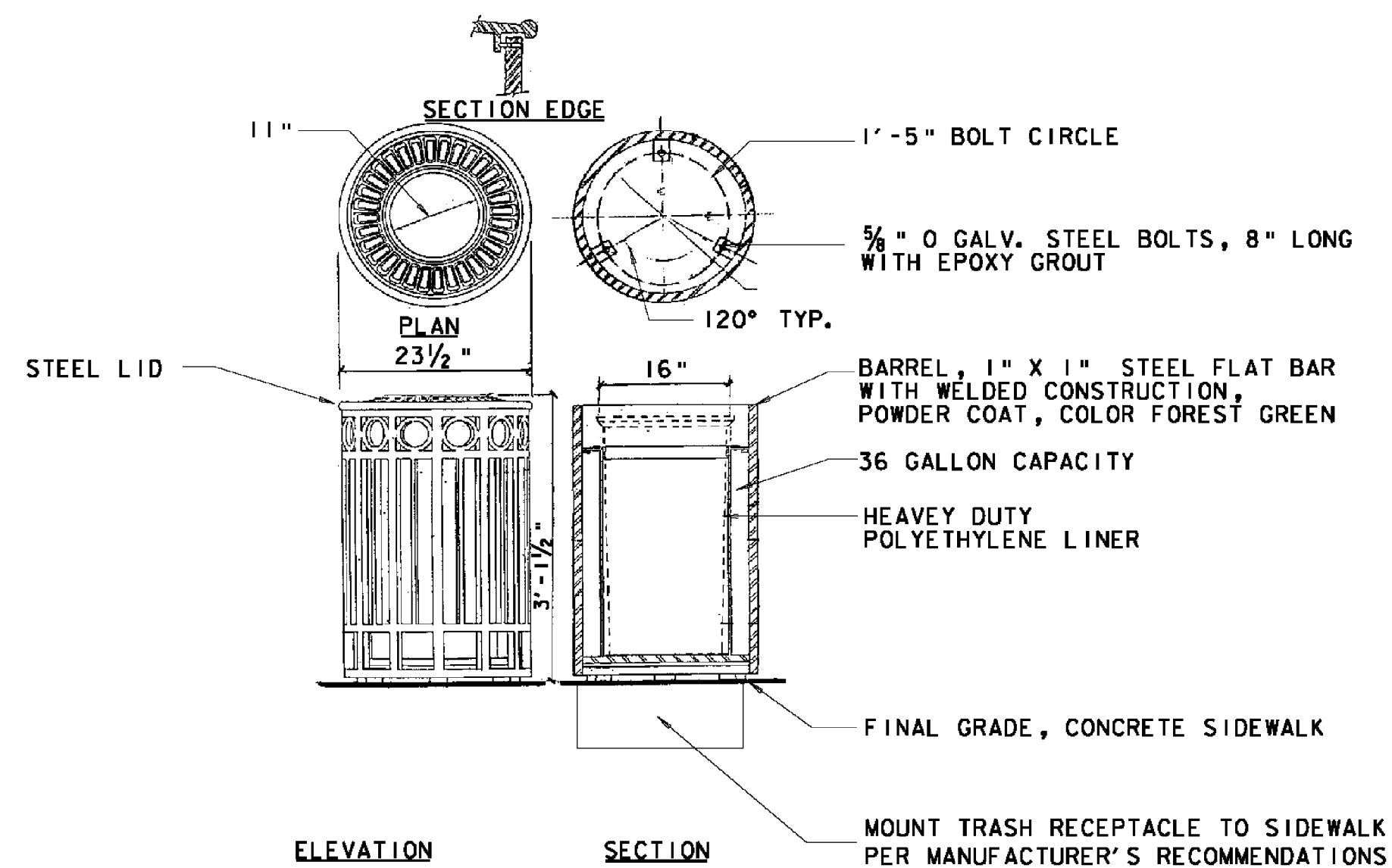
SPECIAL PROVISION (STEEL BENCH WITHOUT BACK)
N.T.S.



NOTES:

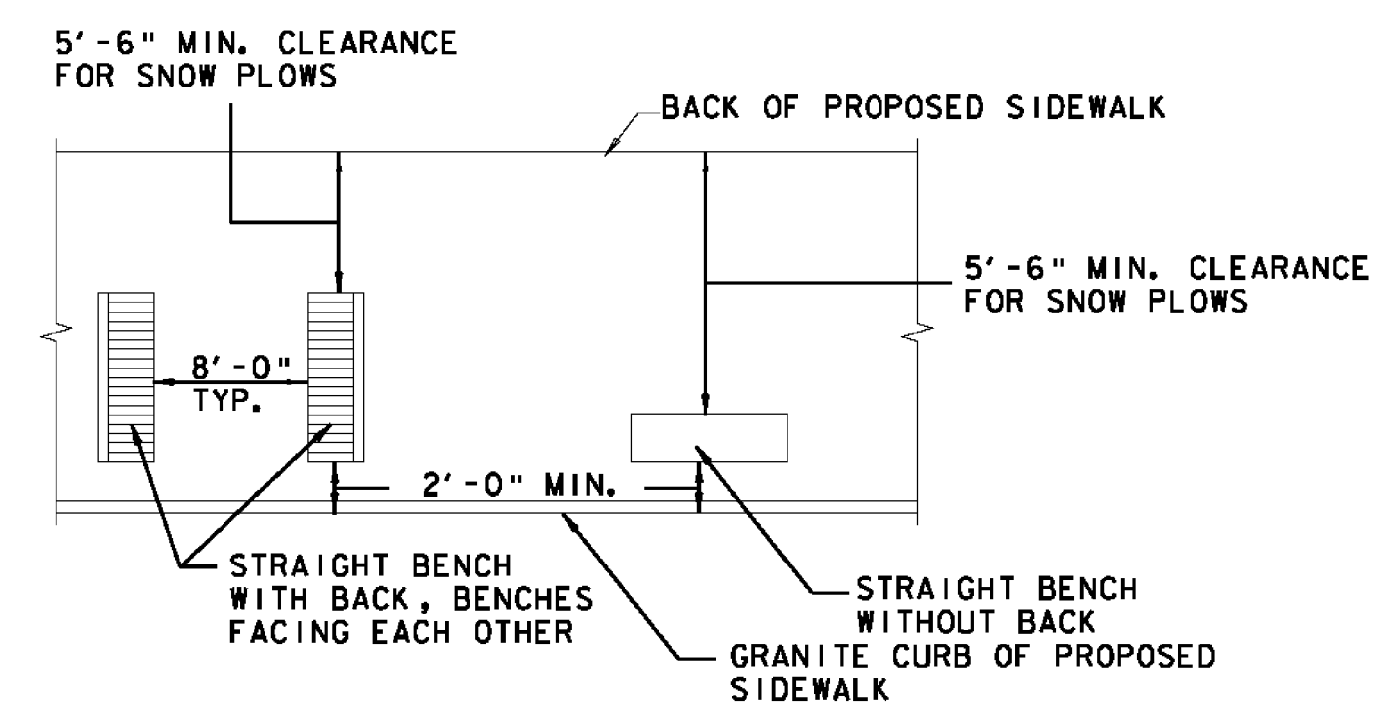
1. BENCH IS WELDED COMPLETELY INTO ONE UNIT AT FACTORY
2. ALL WELDS CONT. THEN GROUND SMOOTH
3. BENCH FINISHED W/ POLYESTER POWDER COATING - BLACK
4. 8" GALV. STEEL ANCHOR BOLTS IN EPOXY GROUT BY INSTALLER, TYP.

SPECIAL PROVISION (STEEL BENCH WITH BACK)
N.T.S.



SPECIAL PROVISION (TRASH RECEPTACLE)
N.T.S.

• RAIN COVERS ADDED VIA CHANGE ORDER



ENLARGED PLAN OF BENCH LOCATIONS
N.T.S.

PROJECT NAME: BARRE CITY
PROJECT NUMBER: FECC F 026-(134) C/2

FILE NAME: 85b010_LDSDET.C2
PROJECT LEADER: G. BAKOS
DESIGNED BY: DMP / MDS
LANDSCAPING DETAILS #3
PLOT DATE: 3/21/2011
DRAWN BY: DMP / JAR
CHECKED BY:
SHEET 93 OF 339