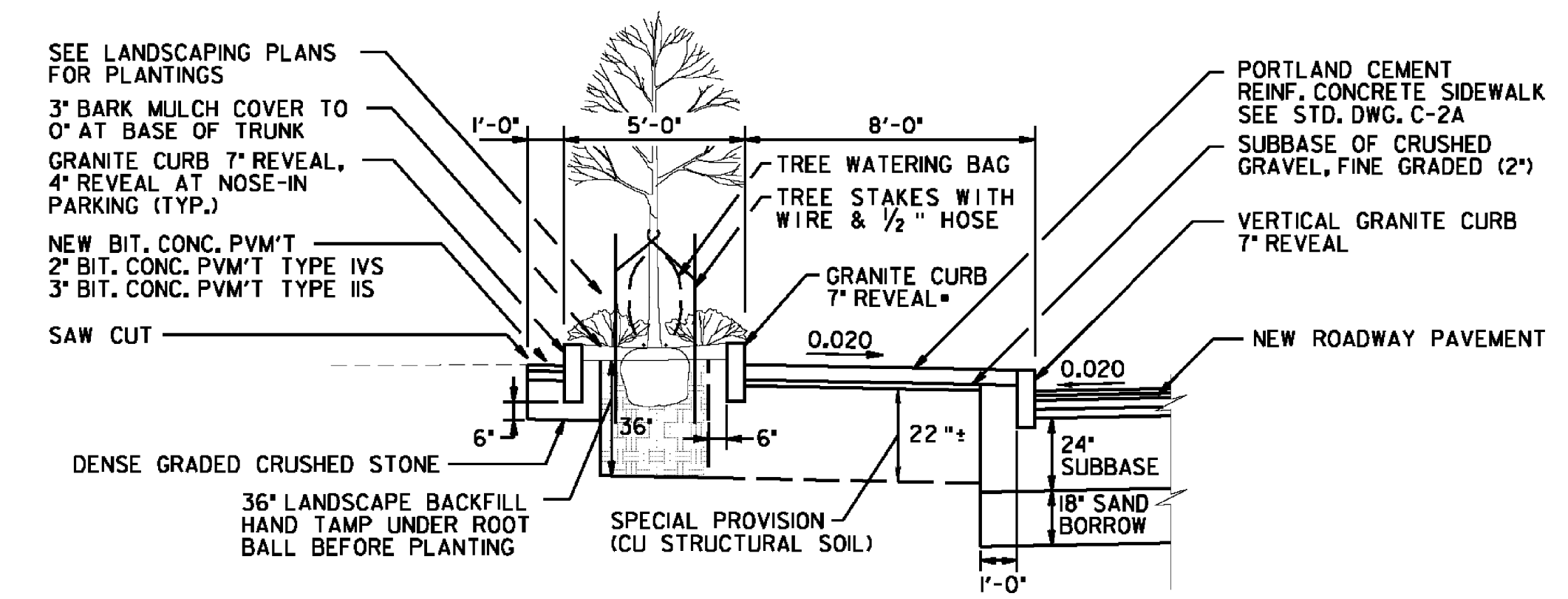
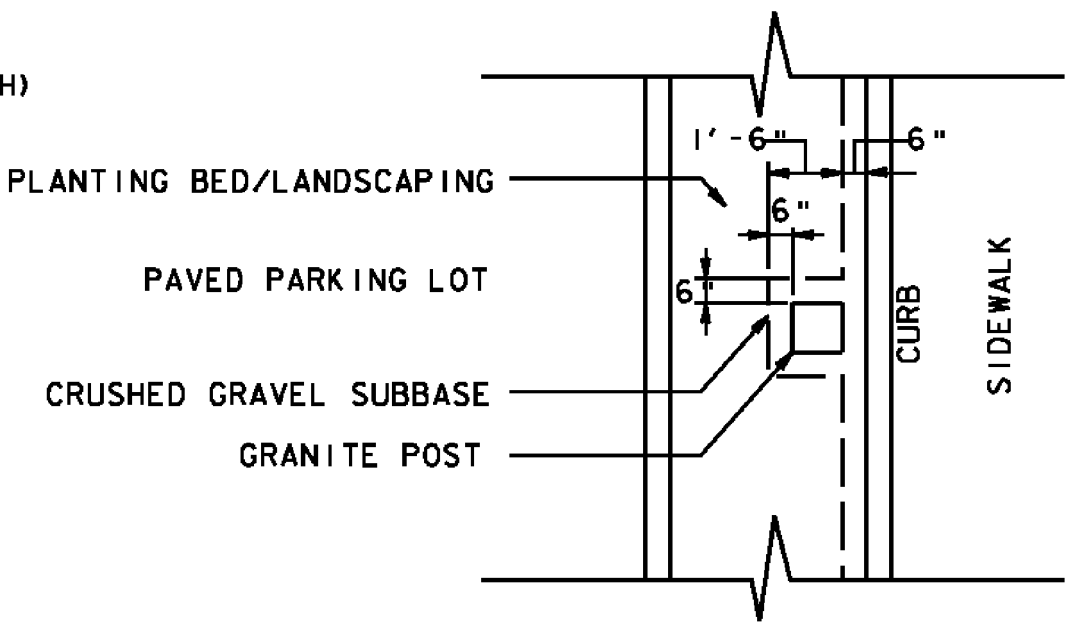


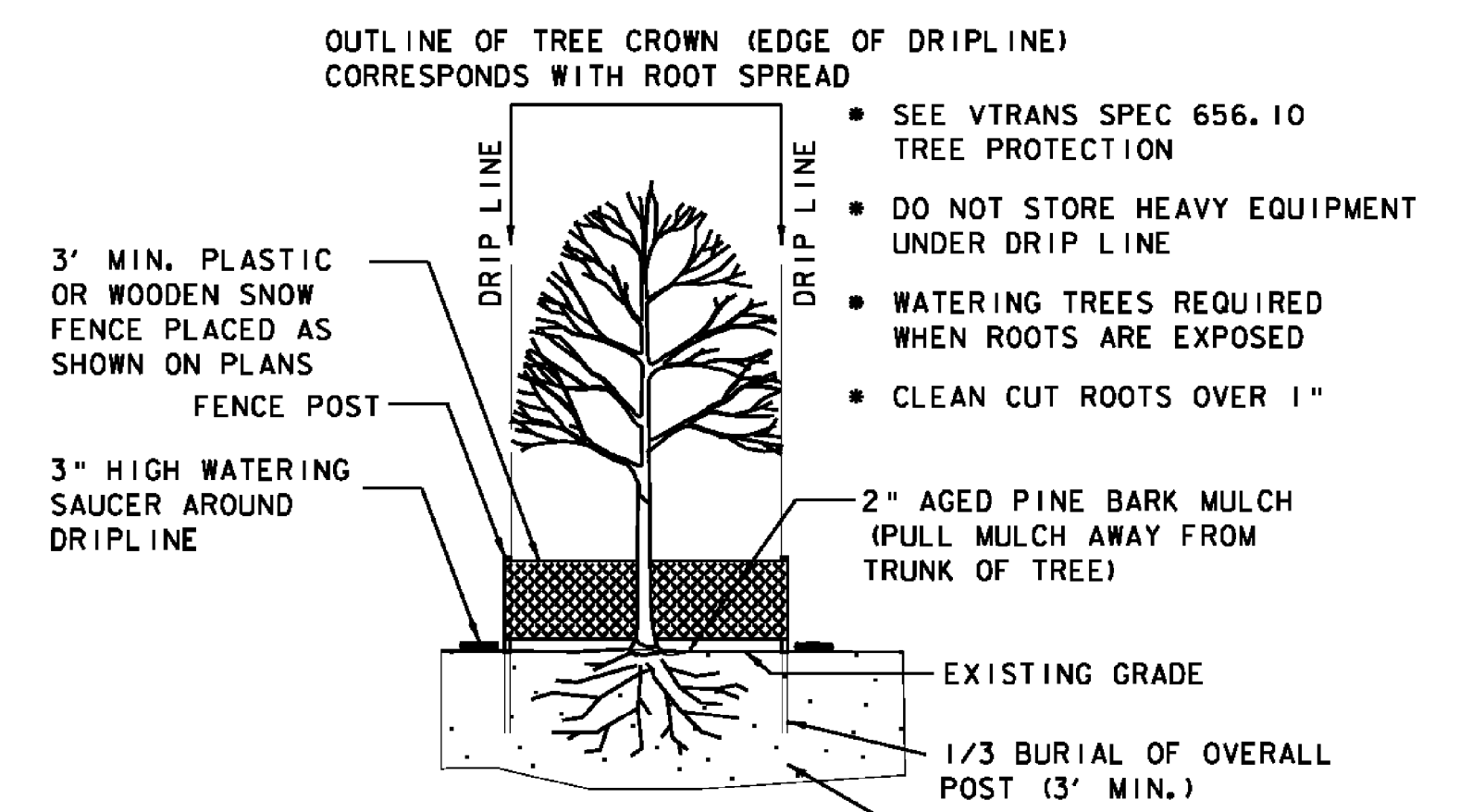
SECTION VIEW
GRANITE POST DETAIL FOR PLANTING BED AT PLAZA
 N.T.S.



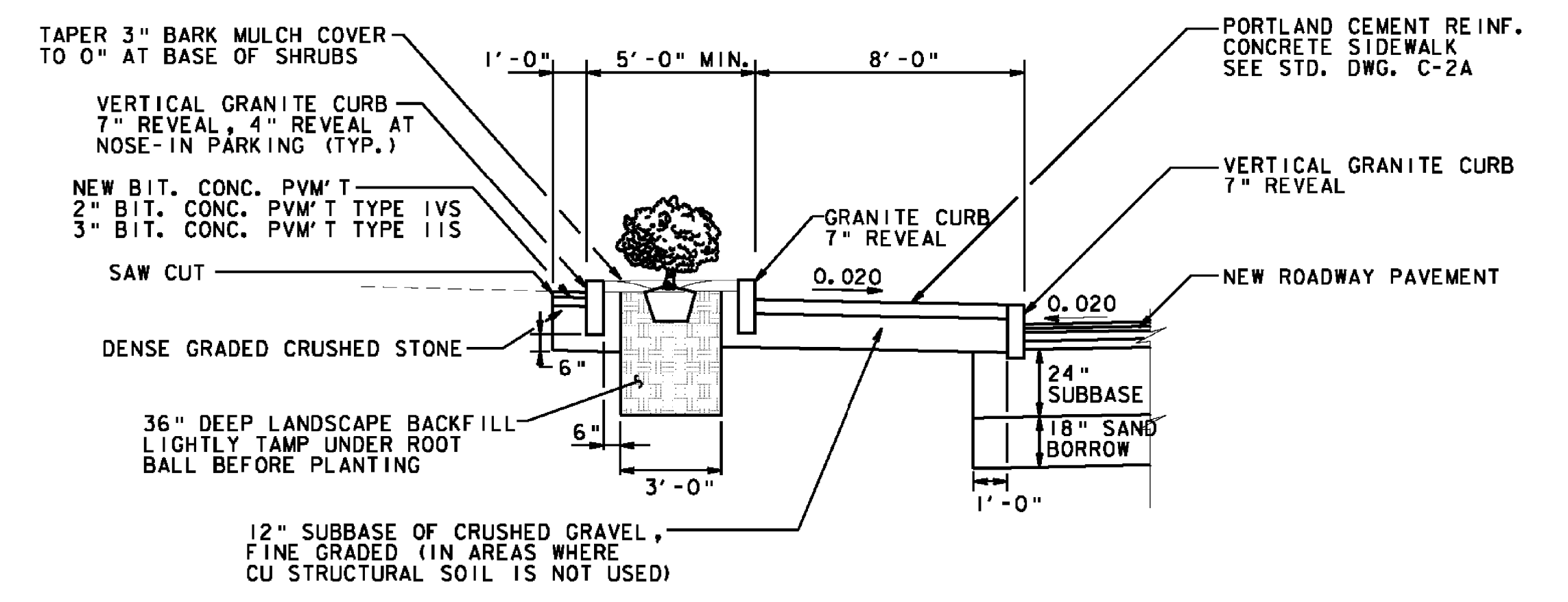
SECTION VIEW
TREE PLANTING BED AT PLAZA WITH CU STRUCTURAL SOIL UNDER SIDEWALK
 N.T.S.



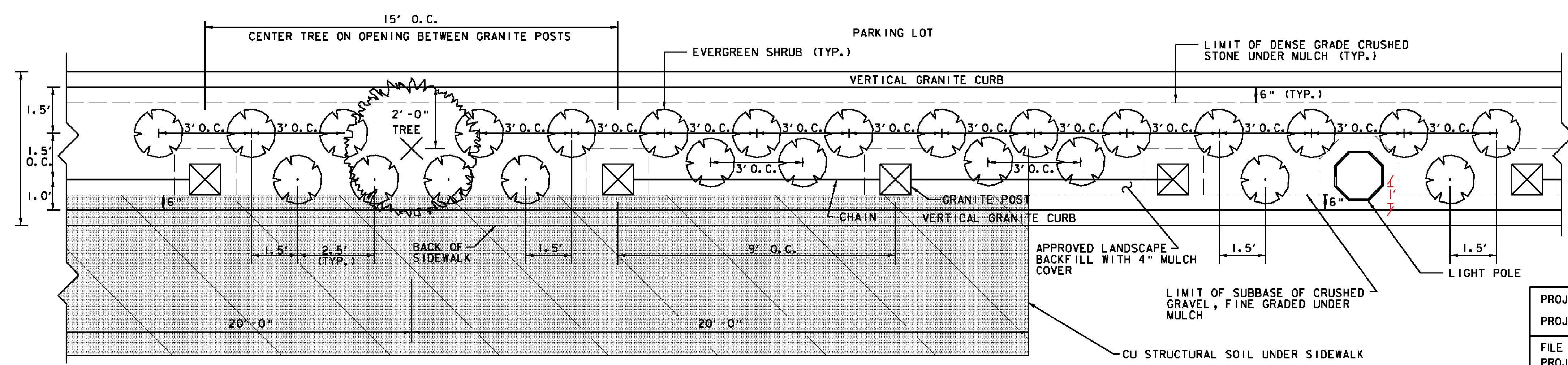
PLAN VIEW
GRANITE POST DETAIL AT PLAZA
 N.T.S.
 STA. 116+76 LT - 122+67 LT



TREE PROTECTION ZONE (TPZ) FOR EXISTING TREES
 SEE LANDSCAPING PLANS FOR LOCATIONS
 N.T.S.



SECTION VIEW
PLANTING BED AT PLAZA WITHOUT CU STRUCTURAL SOIL UNDER SIDEWALK
 N.T.S.



TREES, SHRUBS, AND BOLLARD LAYOUT AT PLAZA
 N.T.S.

PROJECT NAME:	BARRE CITY	PLOT DATE:	3/21/2011
PROJECT NUMBER:	FEGC F 026-(134) C/2	DRAWN BY:	DMP / JAR
FILE NAME:	85b010_LDSDET.C2	DESIGNED BY:	DMP / MDS
PROJECT LEADER:	G. BAKOS	CHECKED BY:	
LANDSCAPING DETAILS #2			SHEET 92 OF 339

