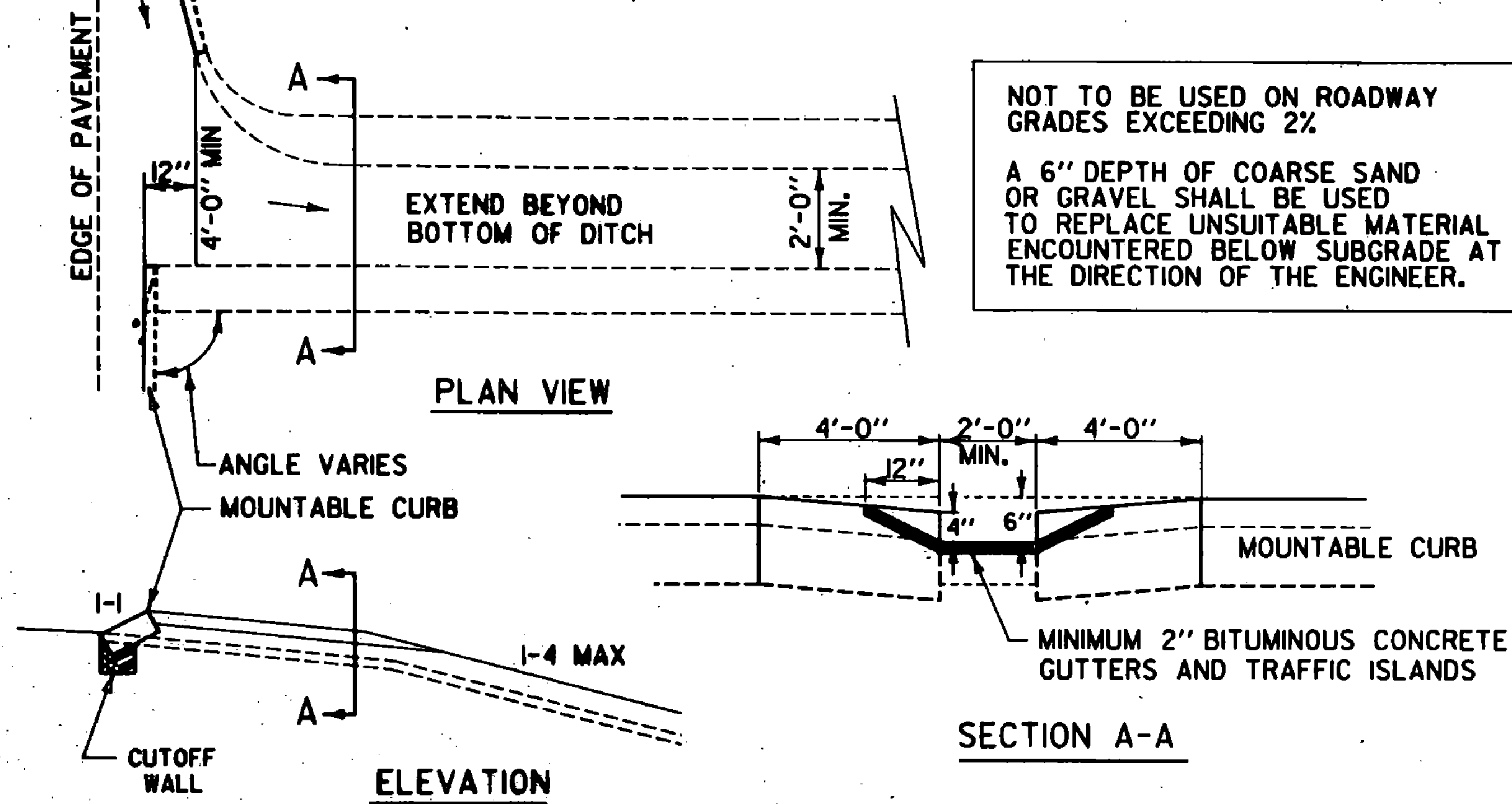
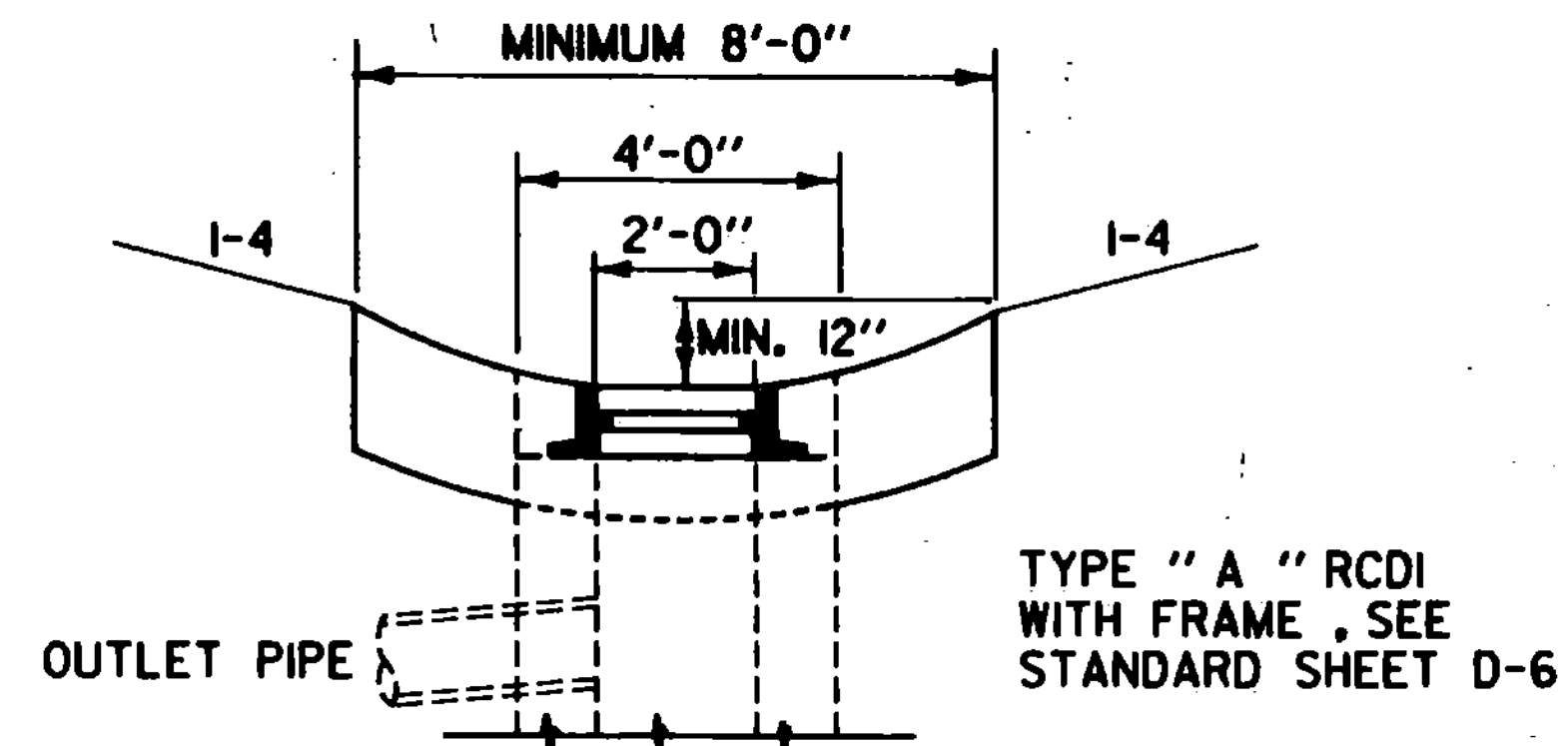


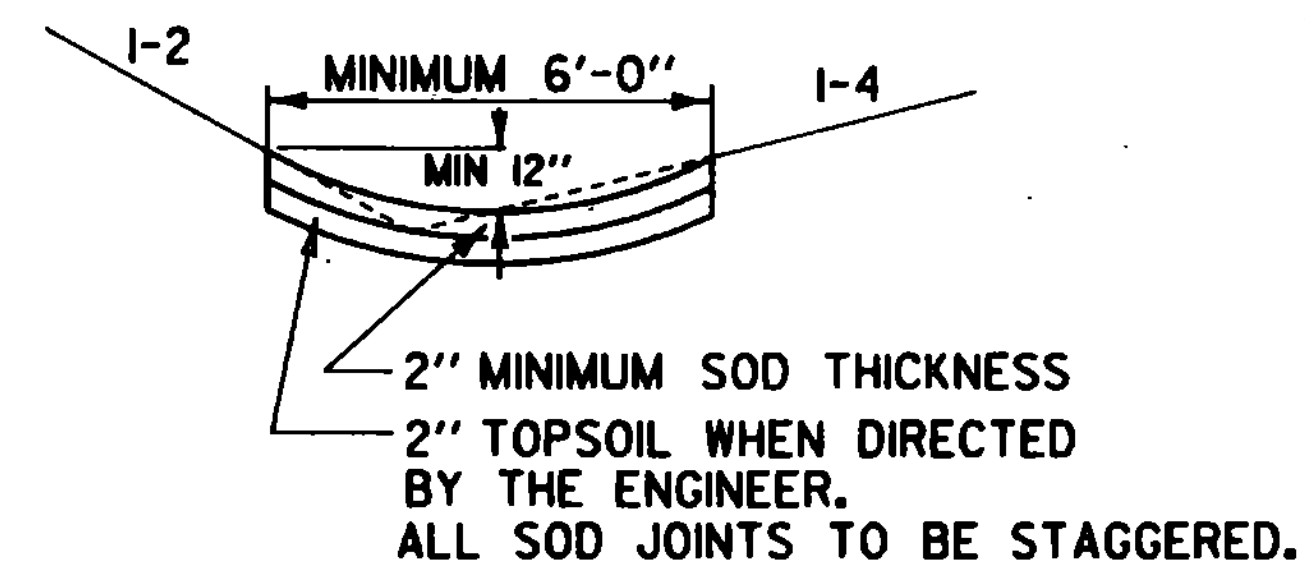
**DETAILS OF CURB DRAINS**



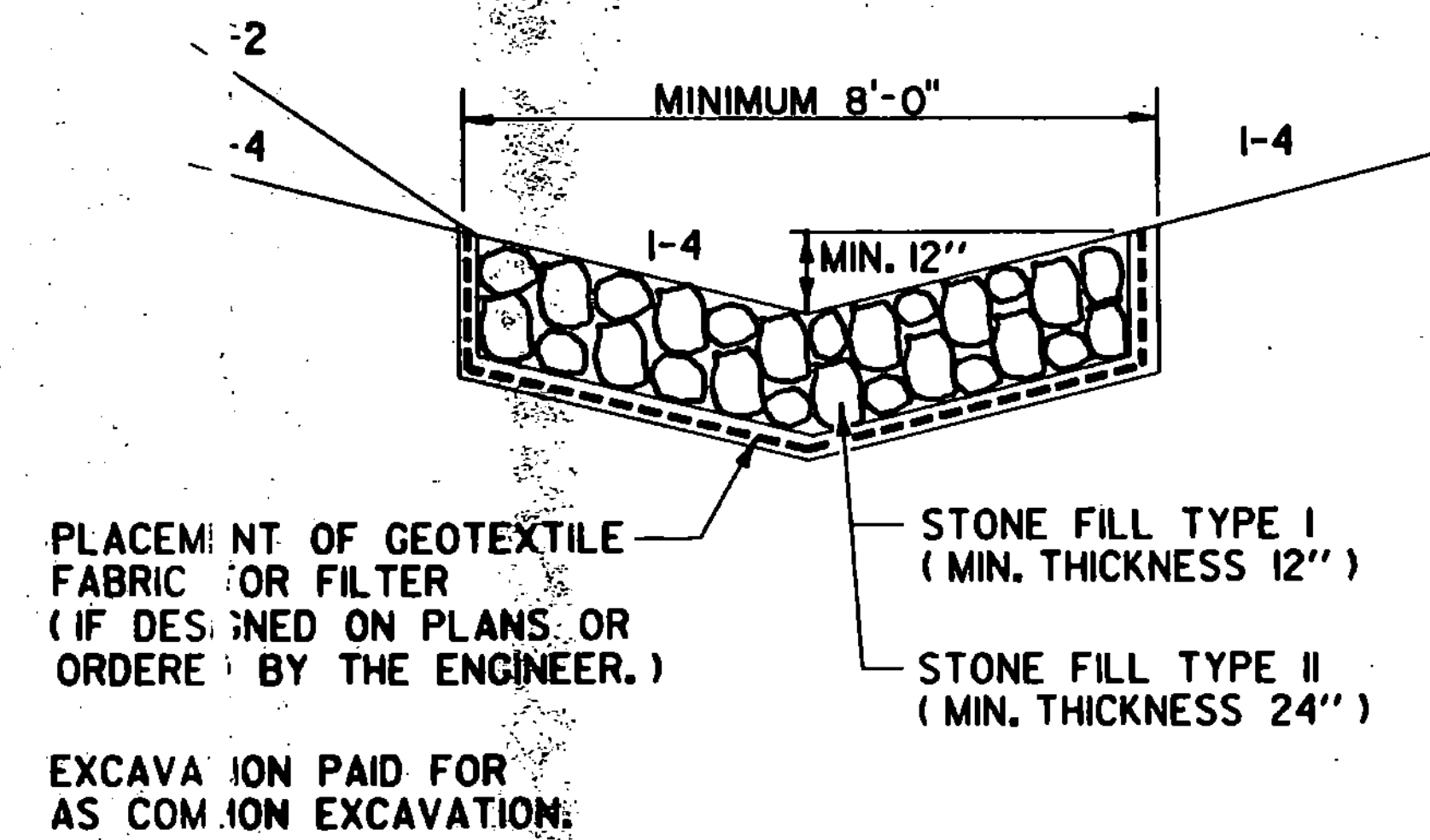
**DROP INLET WITH GRATE IN TREATED GUTTER**



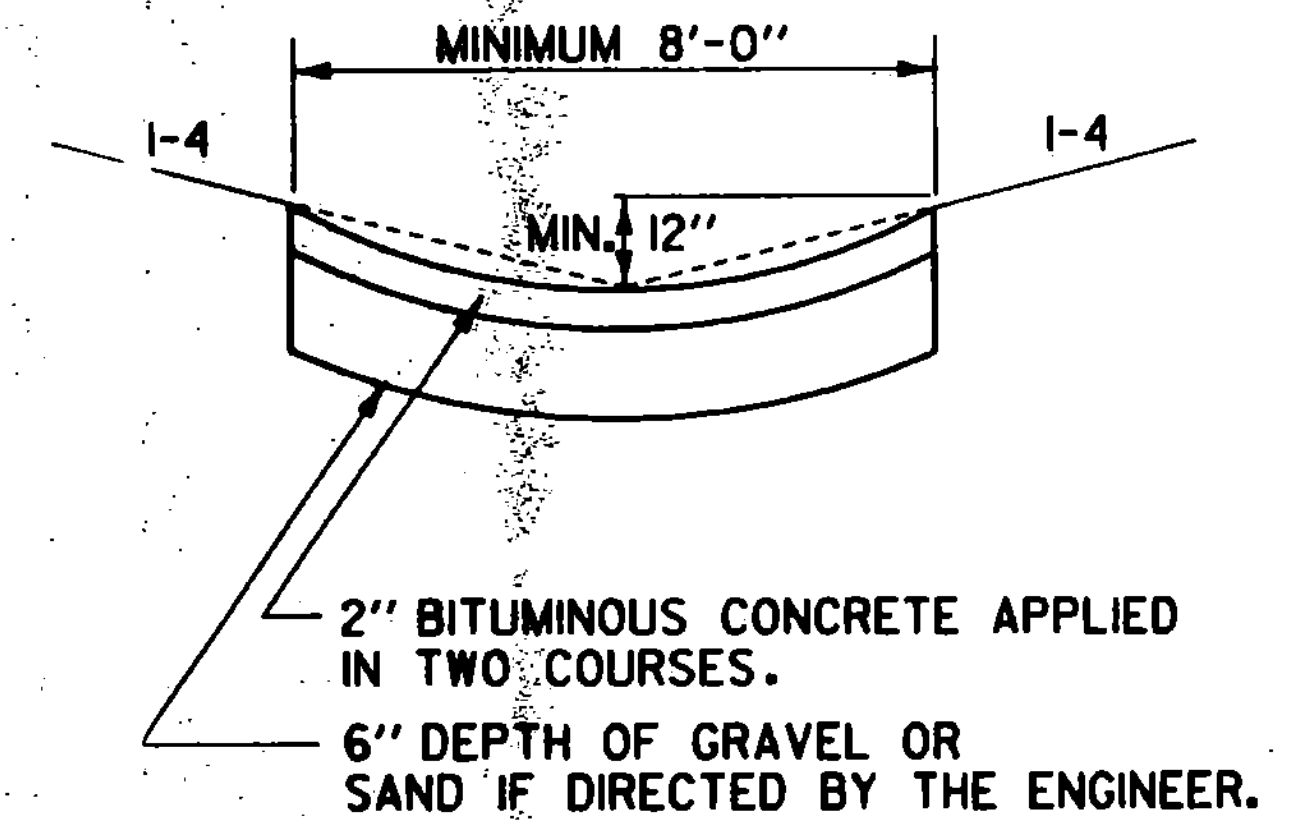
**SODDING**



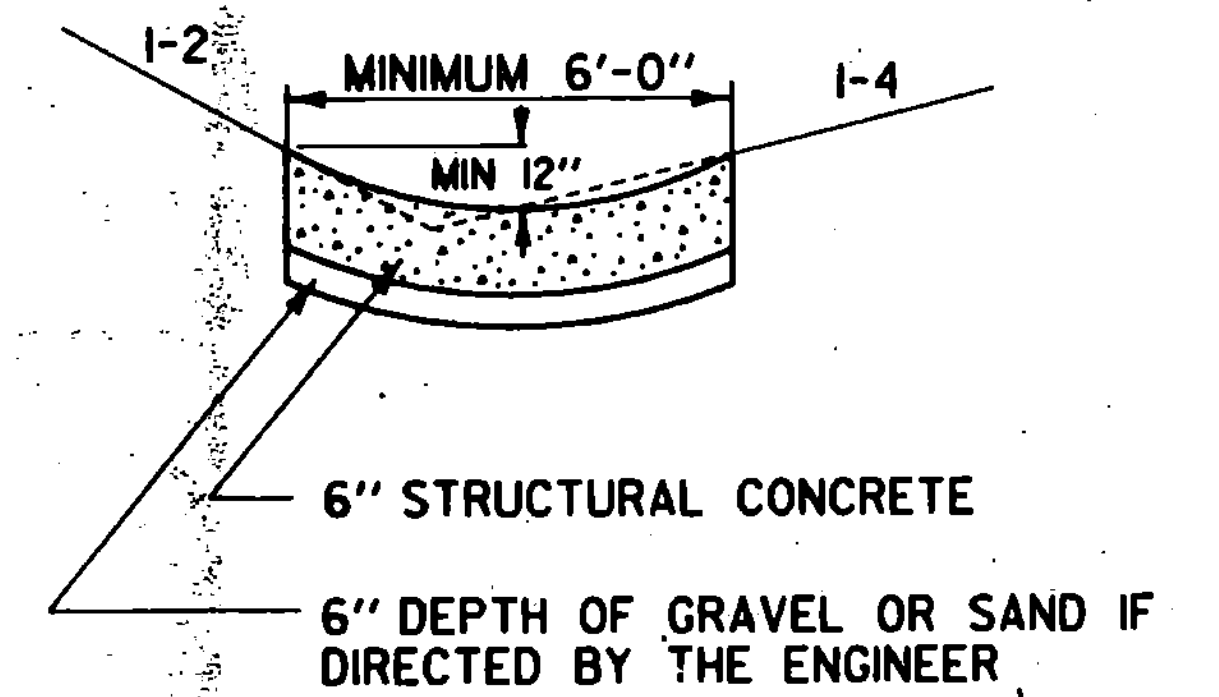
**STONE FILL TYPE I  
 STONE FILL TYPE II**



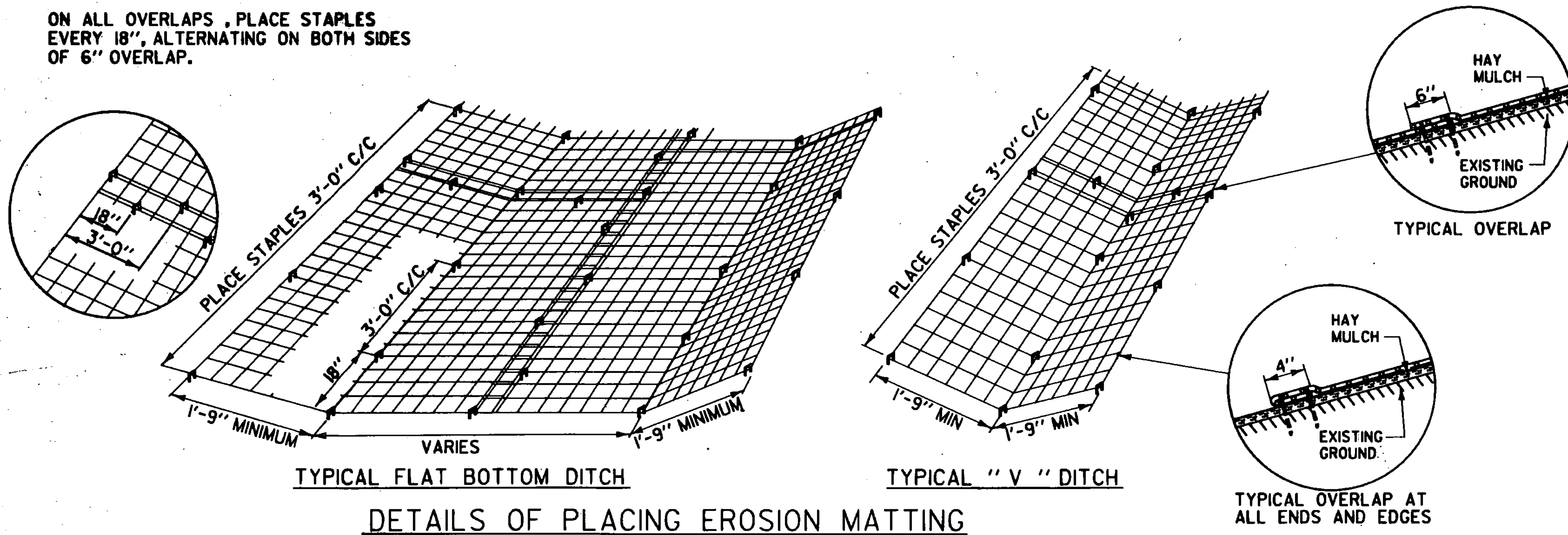
**BITUMINOUS CONCRETE GUTTERS AND TRAFFIC ISLANDS**



**PORTLAND CEMENT CONCRETE GUTTER**



ON ALL OVERLAPS, PLACE STAPLES EVERY 18", ALTERNATING ON BOTH SIDES OF 6" OVERLAP.



REVISIONS AND CORRECTIONS

APPROVED

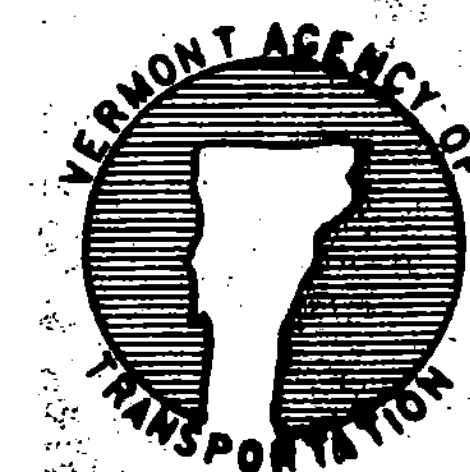
APRIL 2, 1986  
 DATE

CHIEF ENGINEER

CHIEF OF DESIGN

SURVEY AND PLANS ENGINEER

**TREATED GUTTERS**



**STANDARD  
 D-3**