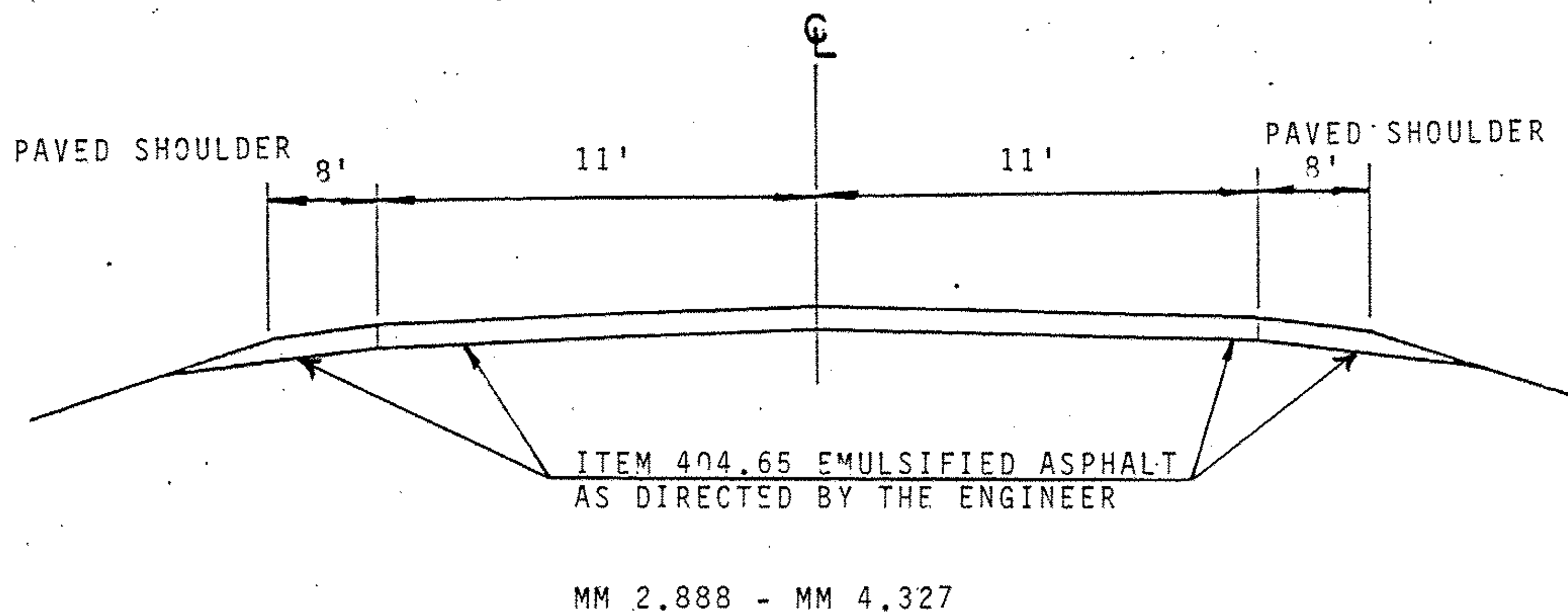


# TYPICAL SECTIONS & DESIGN DATA

ITEM 406.25 BITUMINOUS CONCRETE PAVEMENT  
Leveling course, Type III or IV (150 tons/mile)  
AS DIRECTED BY THE ENGINEER  
3/4" Wearing course (+1/4") Type IV



TRAFFIC DATA  
1982 ADT = 1560  
V = 50 MPH