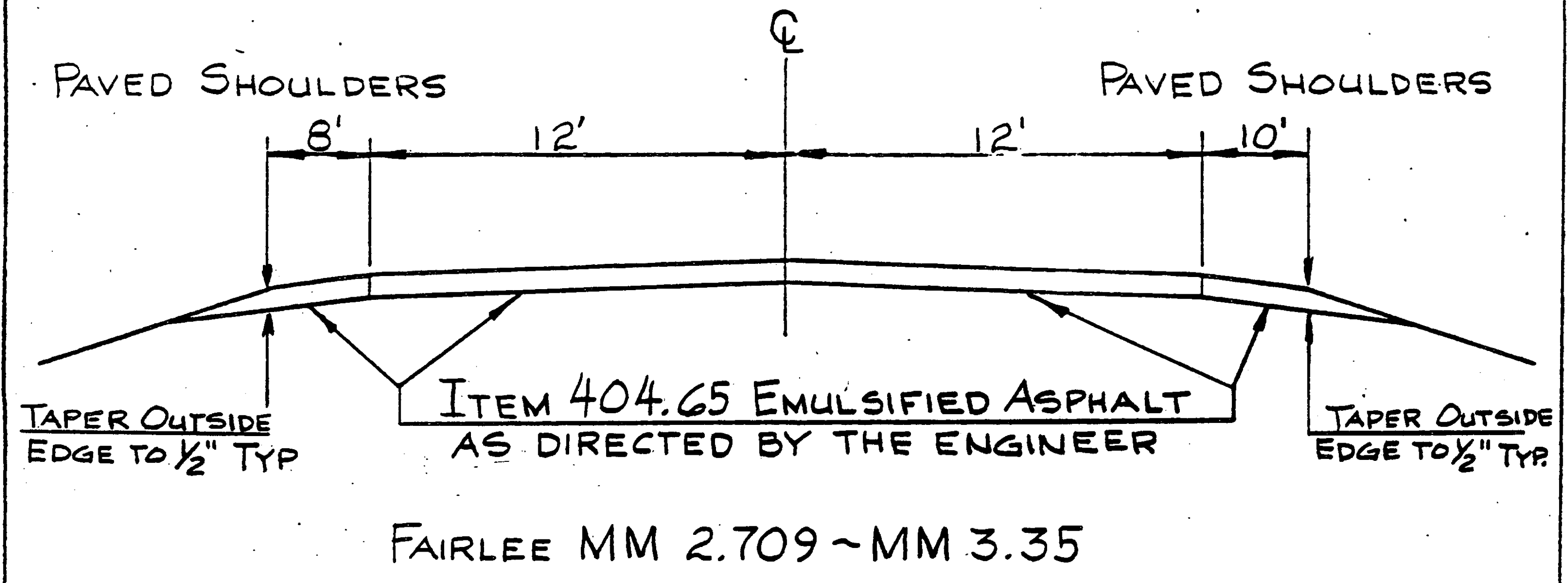


TYPICAL SECTIONS & DESIGN DATA

ITEM 406.25 BITUMINOUS CONCRETE PAVEMENT
 LEVELING COURSE, TYPE III OR IV (24' WIDE @ 164 TON/Mi.)
 AS DIRECTED BY THE ENGINEER
 1" WEARING COURSE ($\pm 1/4$ ") TYPE III



ITEM 406.25 BITUMINOUS CONCRETE PAVEMENT
 LEVELING COURSE, TYPE III OR IV (24' WIDE @ 164 TON/Mi.)
 AS DIRECTED BY THE ENGINEER
 1" WEARING COURSE ($\pm 1/4$ ") TYPE III

