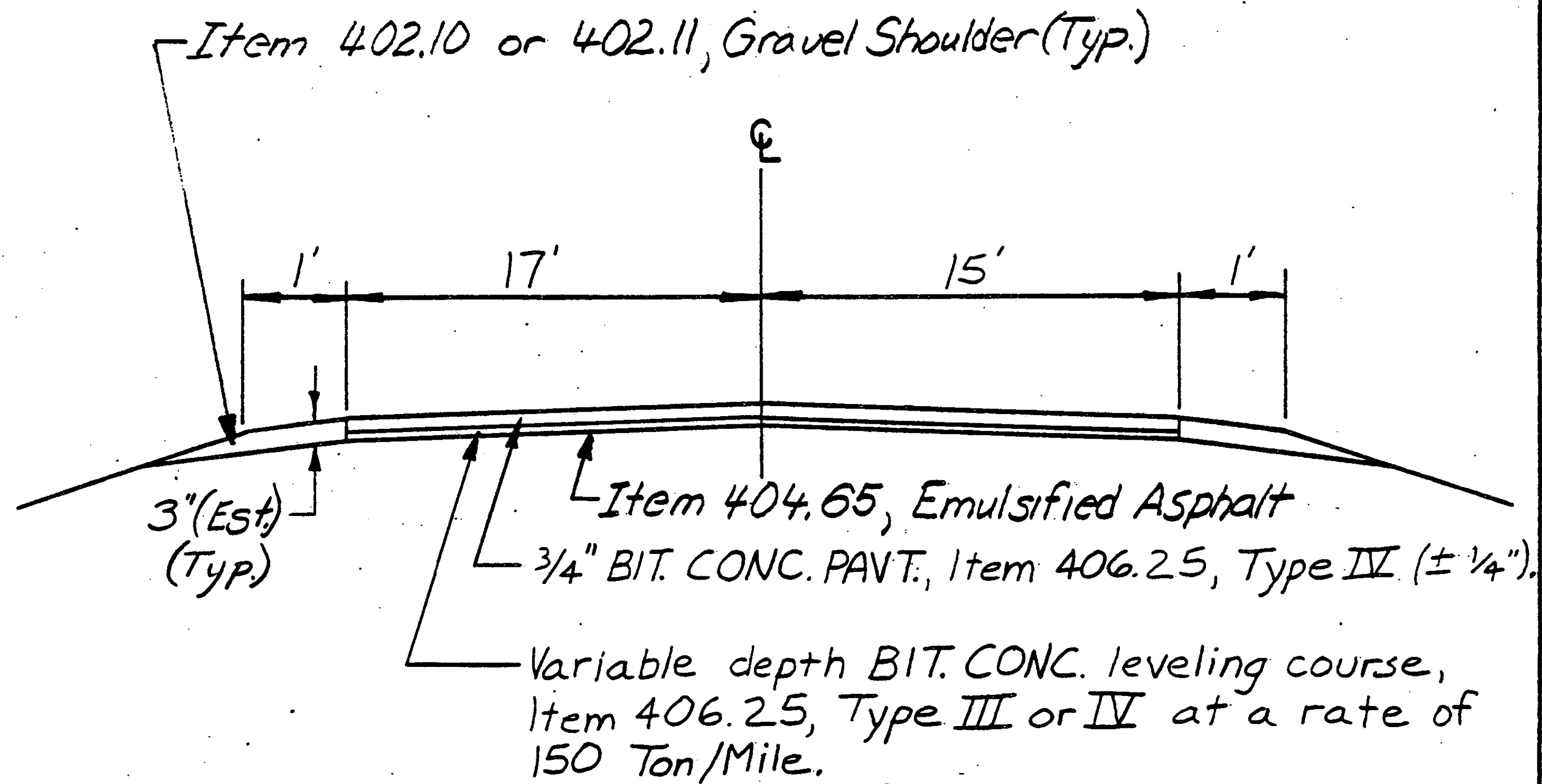
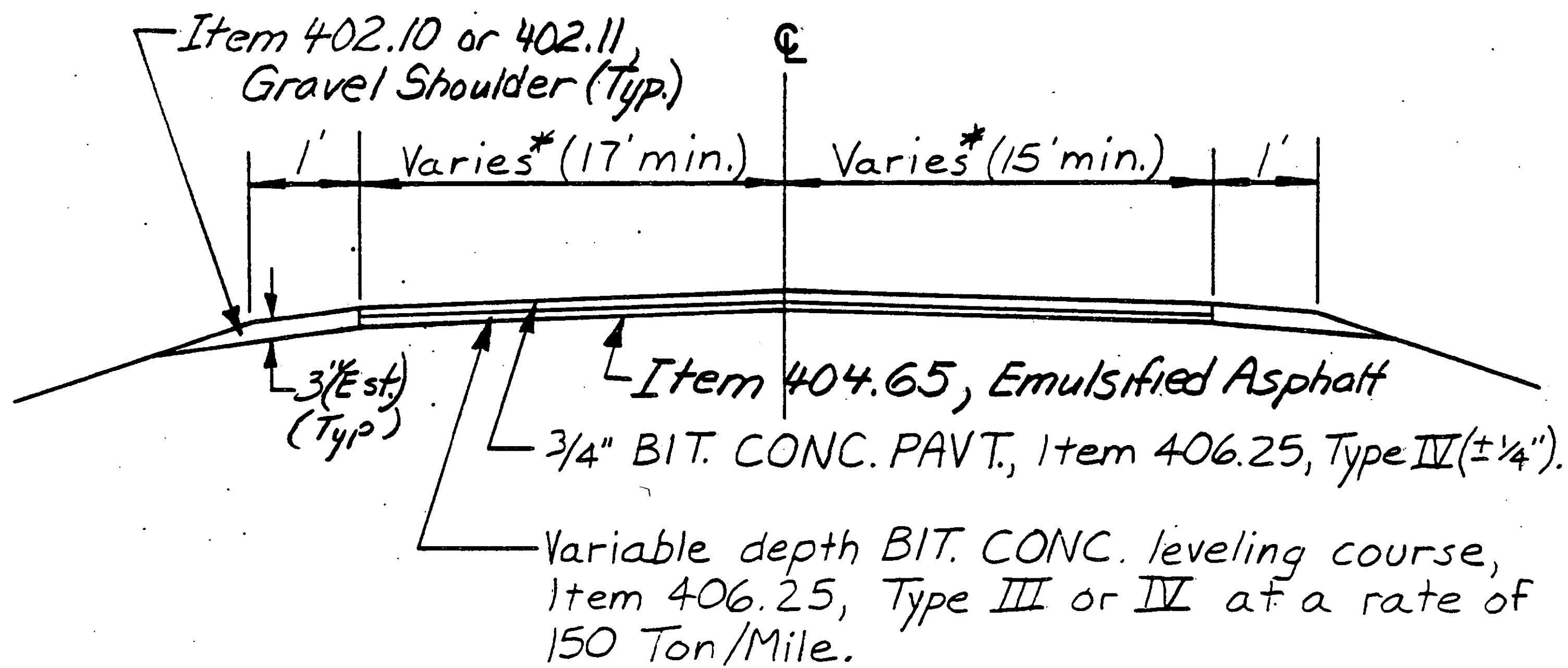


TYPICAL SECTIONS & DESIGN DATA

Not to scale.



TYPICAL SECTION MM 0.025 to MM 0.072



* All currently paved areas to be overlaid.

TYPICAL SECTION MM 0.002 to MM 0.025

PROJECT FAIRLEE

NO. F 040-1(1)S
SHEET 5 OF 23