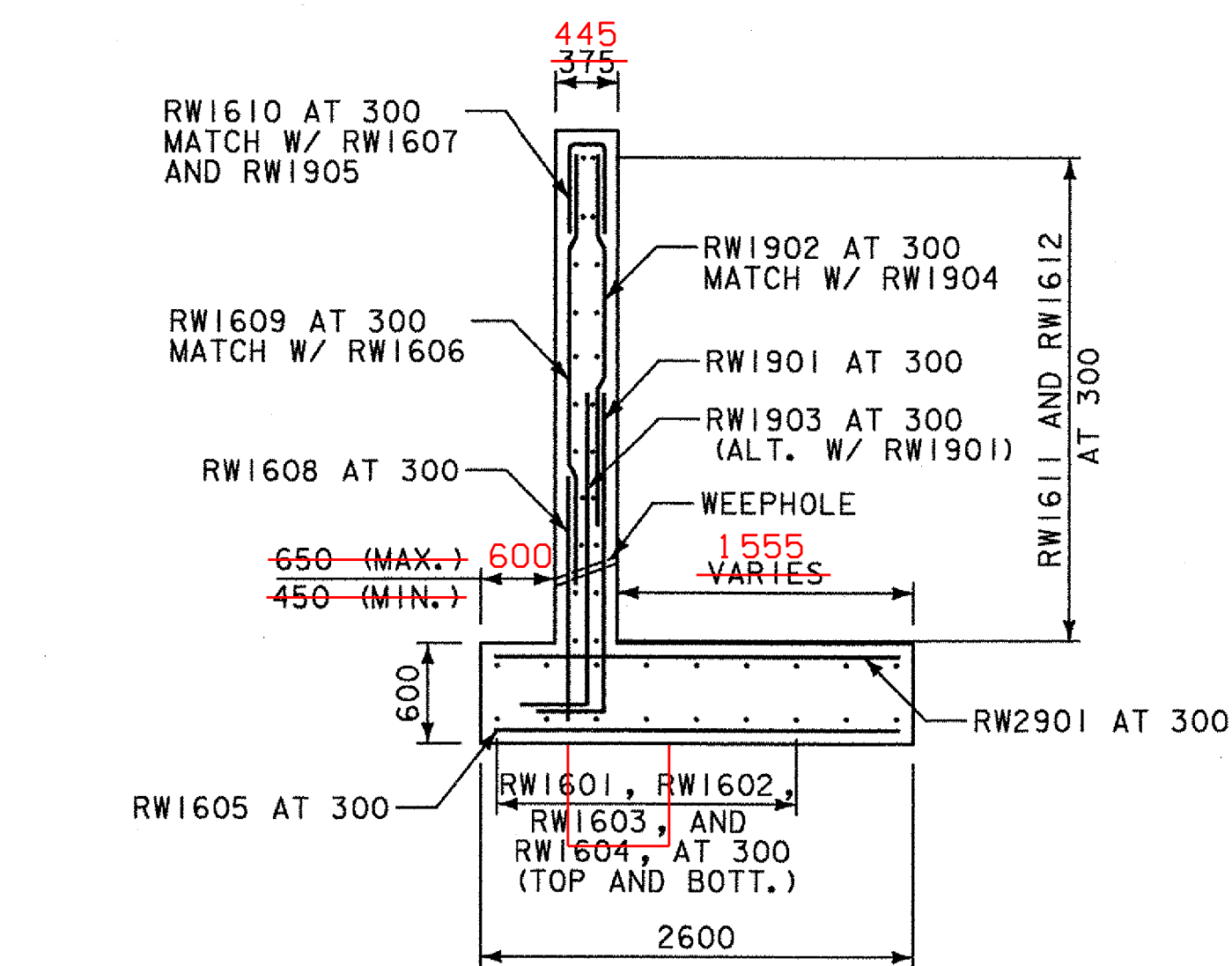
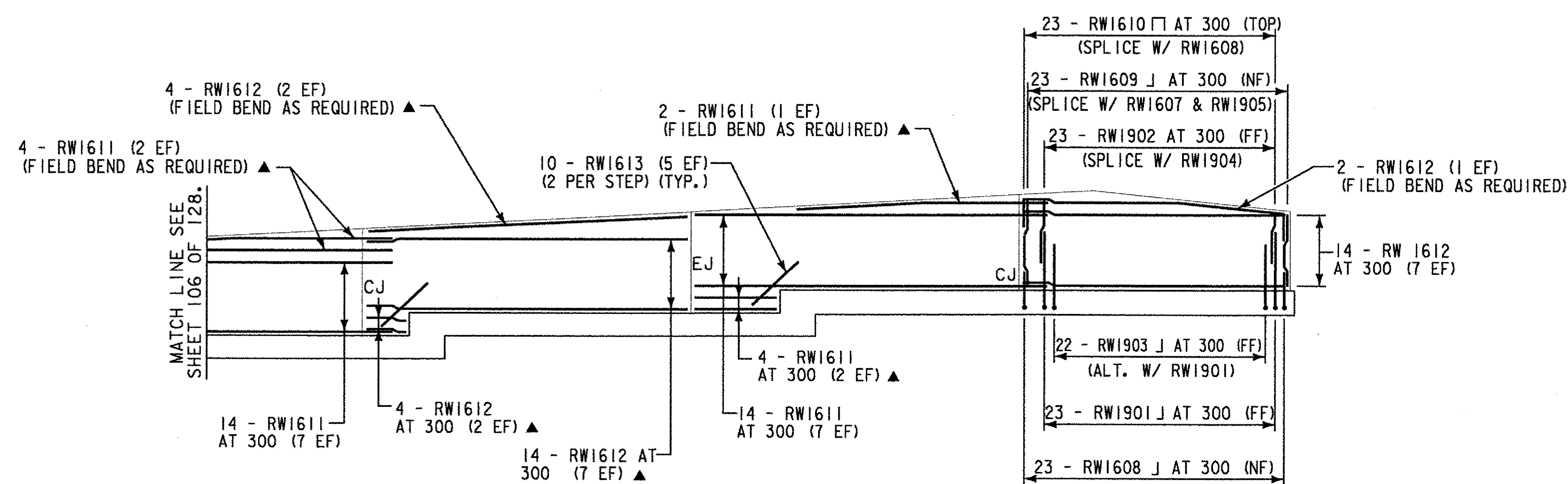


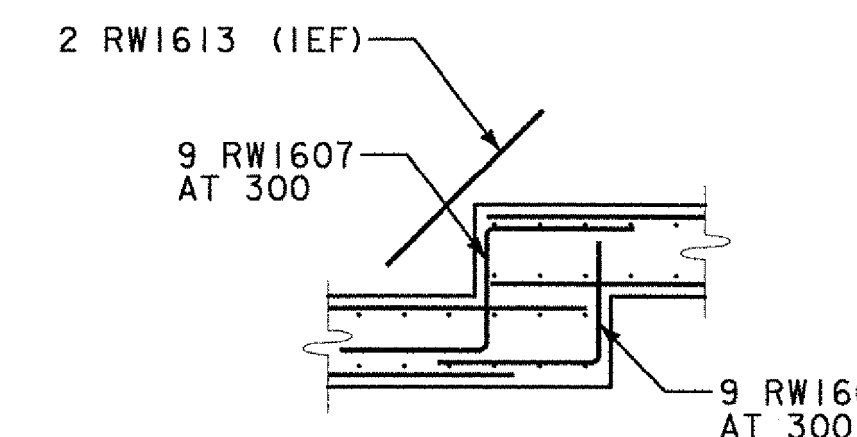
**REINFORCING - CONCRETE
CANTILEVER RETAINING WALL FOOTING**
SCALE 1:100



TYPICAL SECTION - RETAINING WALL
SCALE 1:40



**REINFORCING - CONCRETE
CANTILEVER RETAINING WALL**
SCALE 1:100



TYPICAL FOOTING STEP DETAIL
SCALE 1:40

NOTE

- NF = NEAR FACE
- FF = FAR FACE
- EF = EACH FACE
- ▲ = FIELD CUT
- CJ = CONSTRUCTION JOINT
- EJ = EXPANSION JOINT

**STATE OF VERMONT
AGENCY OF TRANSPORTATION**

Town Of	TUNBRIDGE	Bridge No.	4
Highway No.	VT.110	Log Sta.	
		Surv. Sta.	
VT.110 OVER THE FIRST BRANCH OF WHITE RIVER			
RETAINING WALL REINFORCING DETAILS (2 OF 2)			
Designed By	SRP	Drawn By	MWS
Checked By	Date	Bridge Design Supervisor	
	BTW 3/03	LMM	Date 3/03
PROJECT	TUNBRIDGE	PROJECT NO.	BRS 0169(6)
I.G.C. Info.			
Bridge Sheet No.		Sheet	107 of 128

