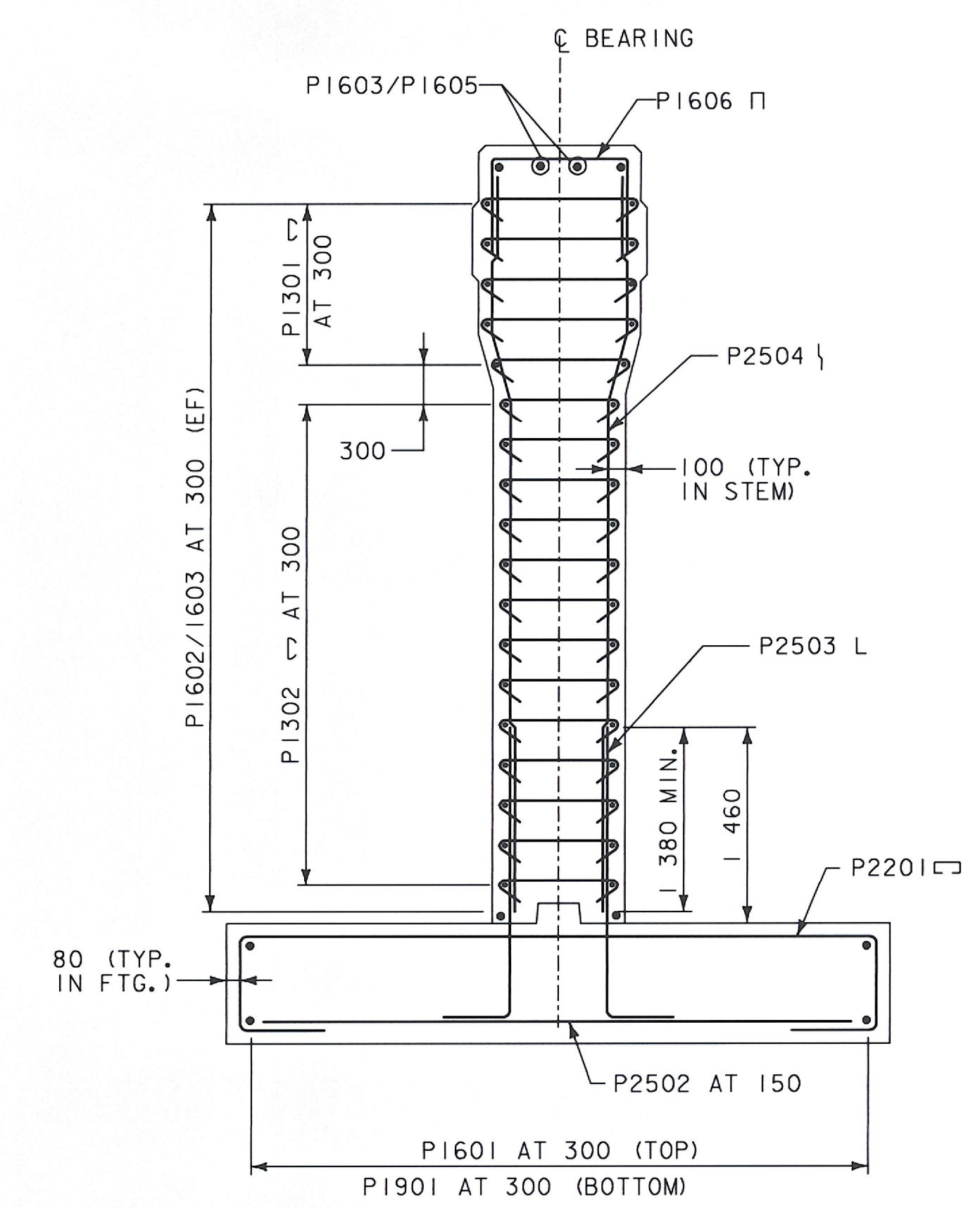
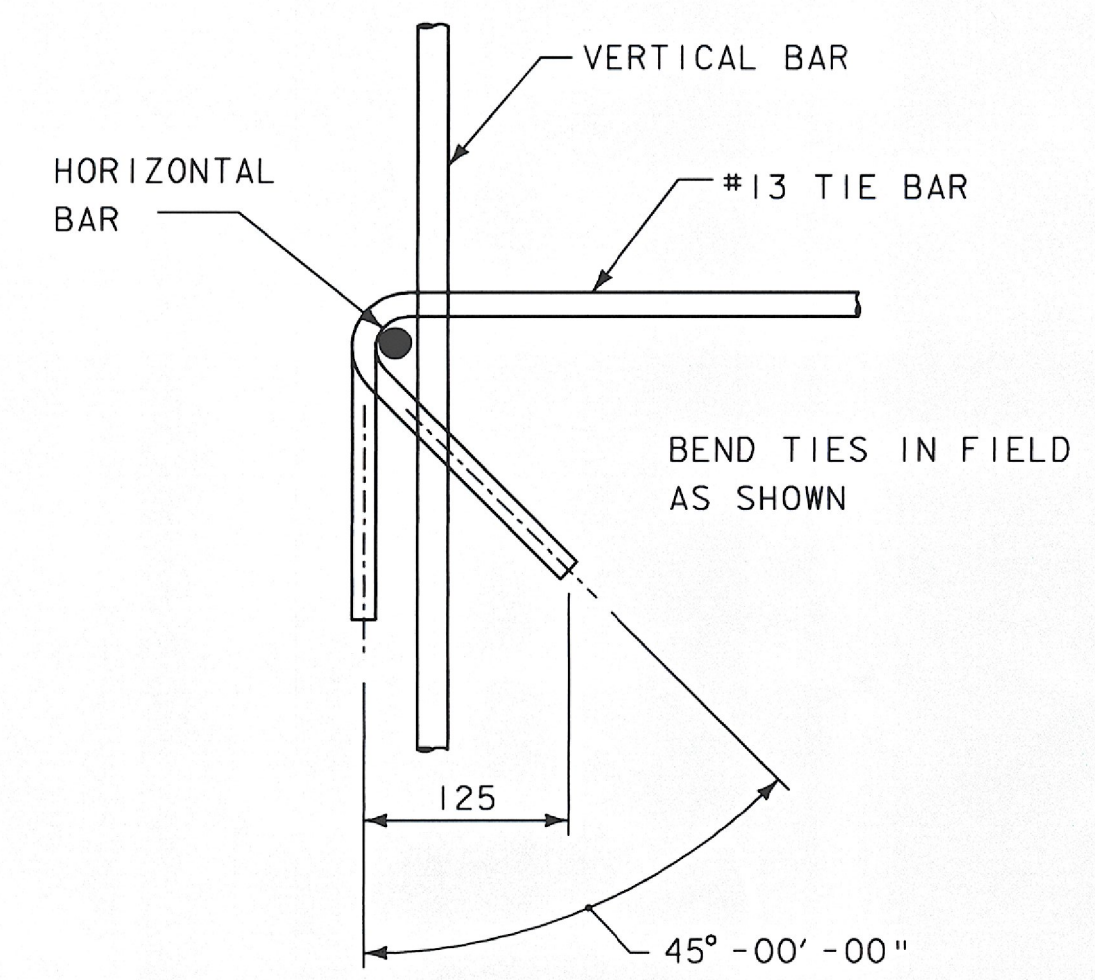


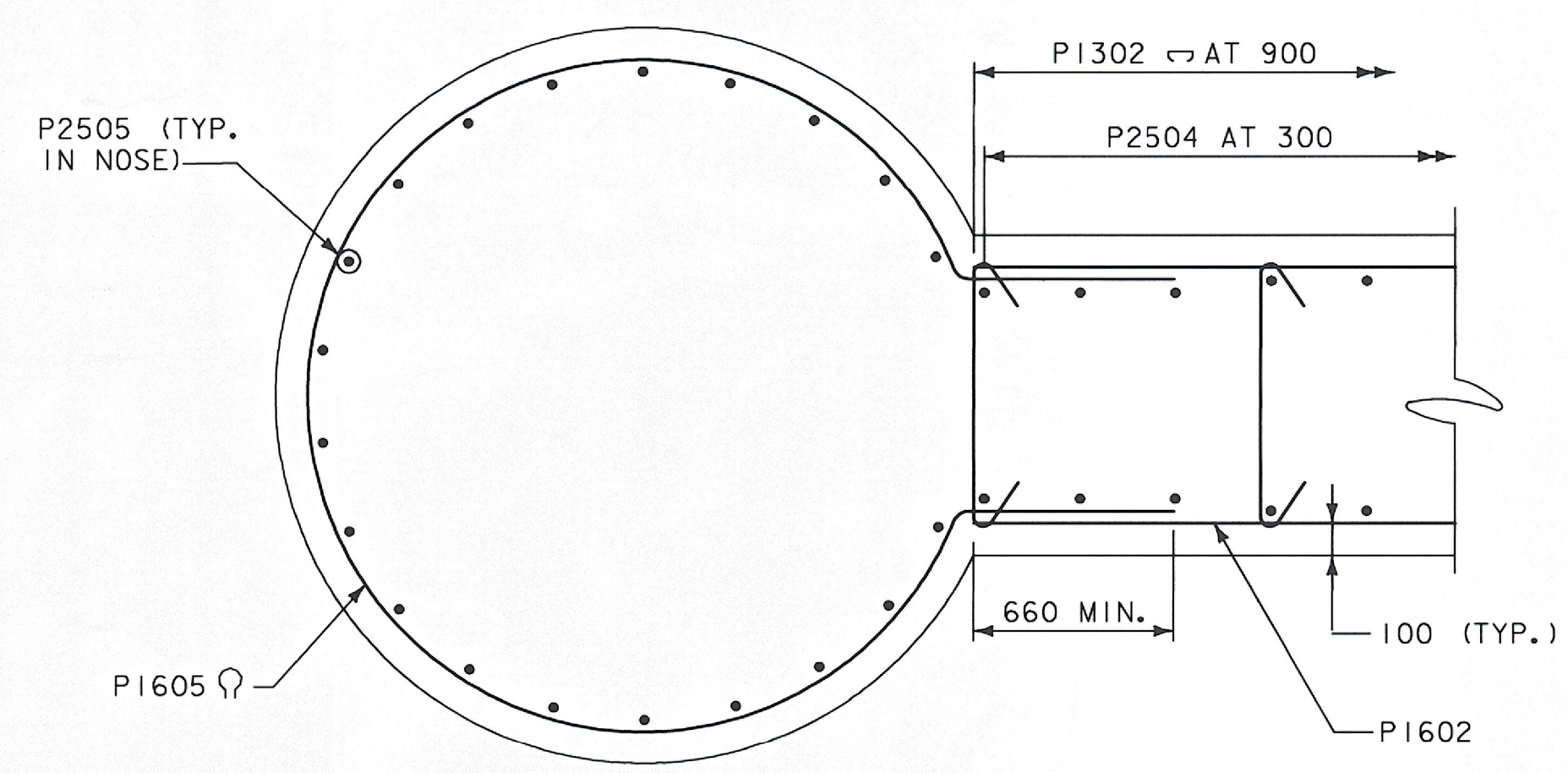
SECTION A-A
SCALE 1:40



SECTION B-B
SCALE 1:40



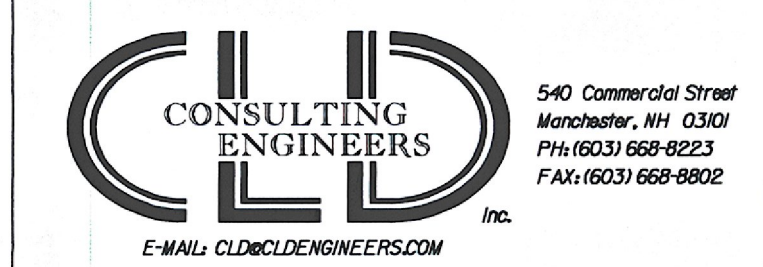
TYPICAL TIE BAR DETAIL
SCALE 1:5



SECTION C-C
SCALE 1:20

NOTE
 NF = NEAR FACE
 FF = FAR FACE
 EF = EACH FACE
 CJ = CONSTRUCTION JOINT
 ▲ = FIELD CUT
 ⊕ = LATERAL TIE
 × = LATERAL TIE

STATE OF VERMONT AGENCY OF TRANSPORTATION			
Town Of	TUNBRIDGE	Bridge No.	4
Highway No.	VT.110	Log Sta.	
		Surv. Sta.	
VT.110 OVER THE FIRST BRANCH OF WHITE RIVER			
PIER DETAILS			
Designed By	JH	Drawn By	MWS
Checked By	BTW	Bridge Design Supervisor	LMM
Date	3/03	Date	3/03
PROJECT	TUNBRIDGE	PROJECT NO.	BRS 0169(6)
I.G.C. Info.			
Bridge Sheet No.		Sheet	101 of 128



se063p.i.er.dgn