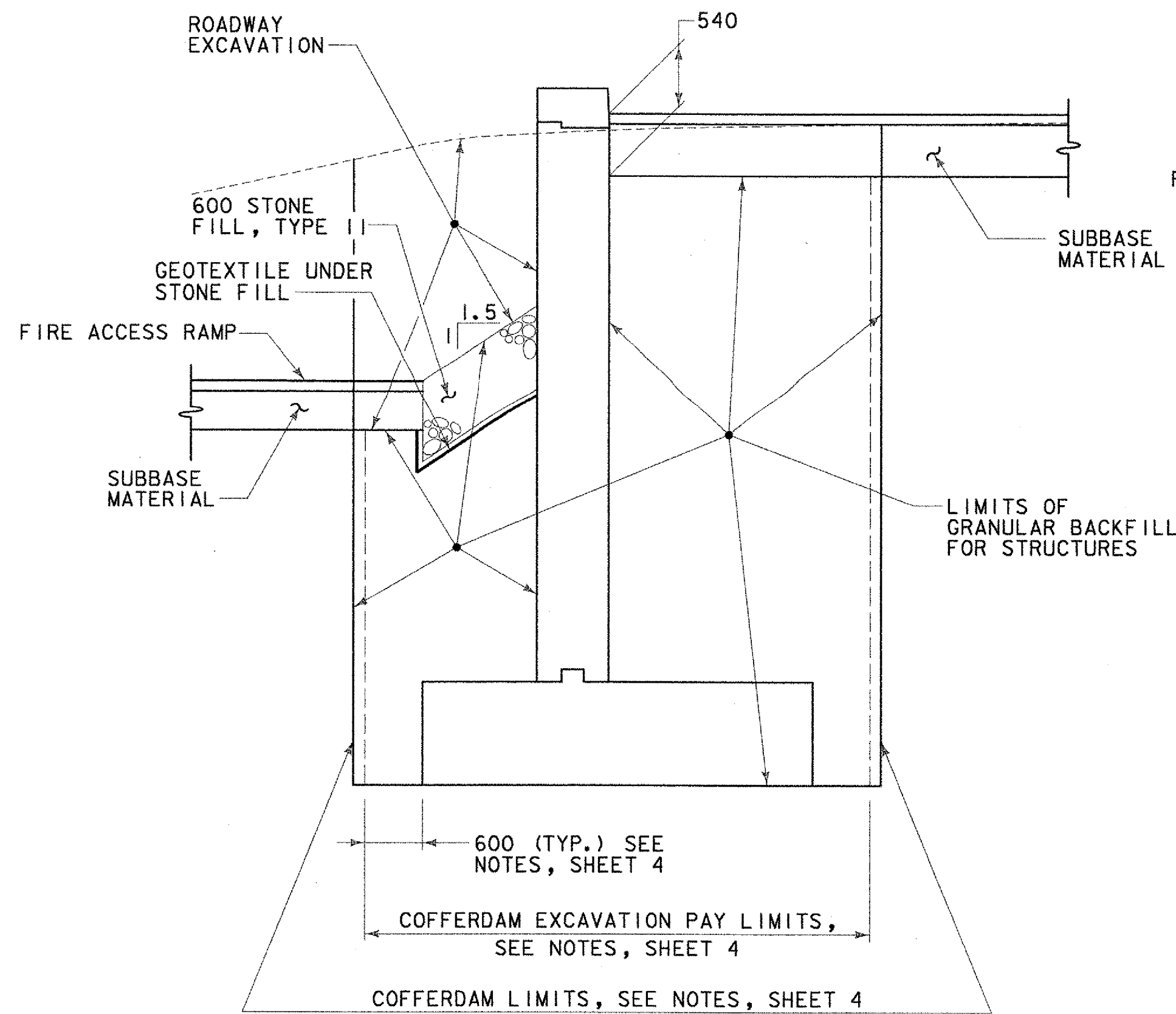
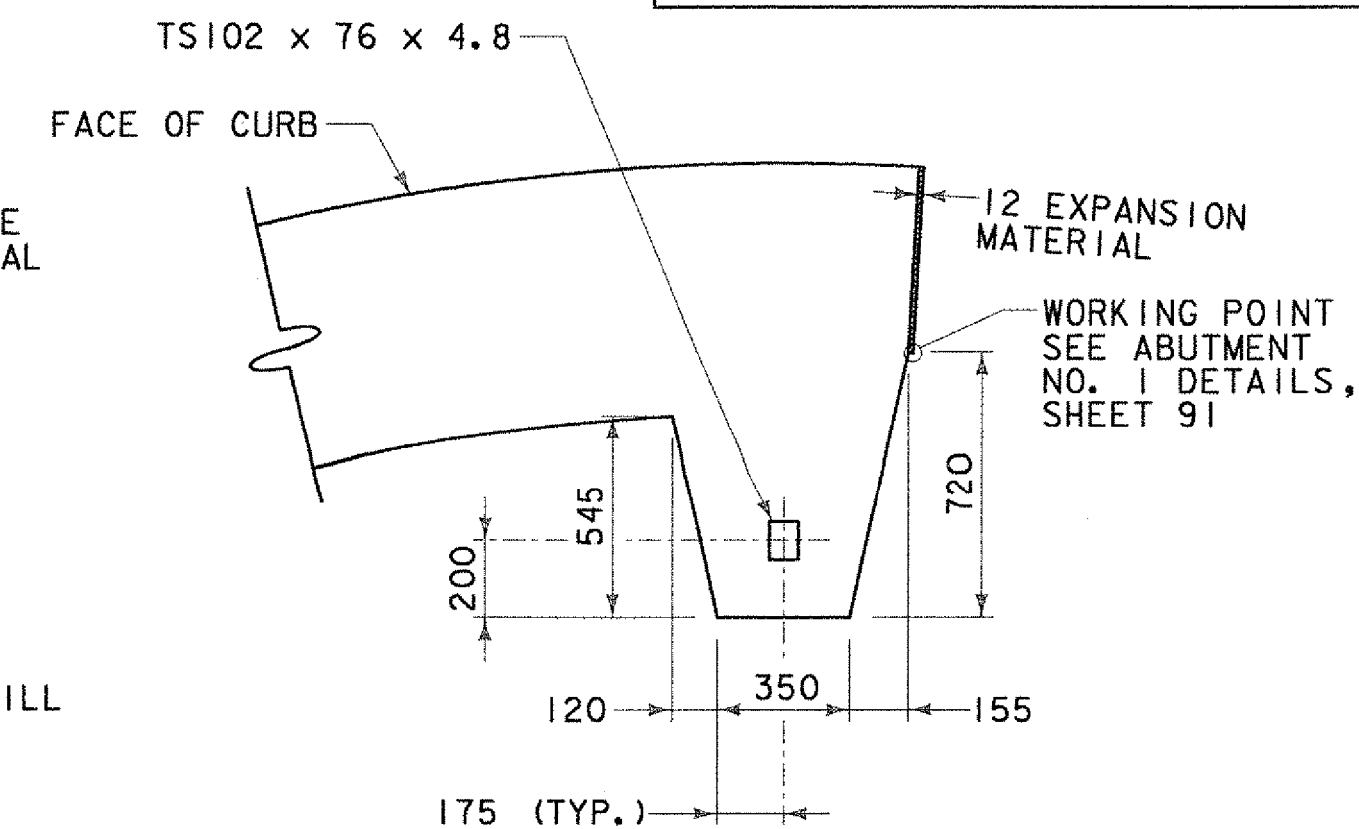


DISTANCE X	A	B
0	0	678
500	132	795
1000	214	867
1500	248	898
2000	235	886
2500	175	833
3000	66	736
3225	0	678

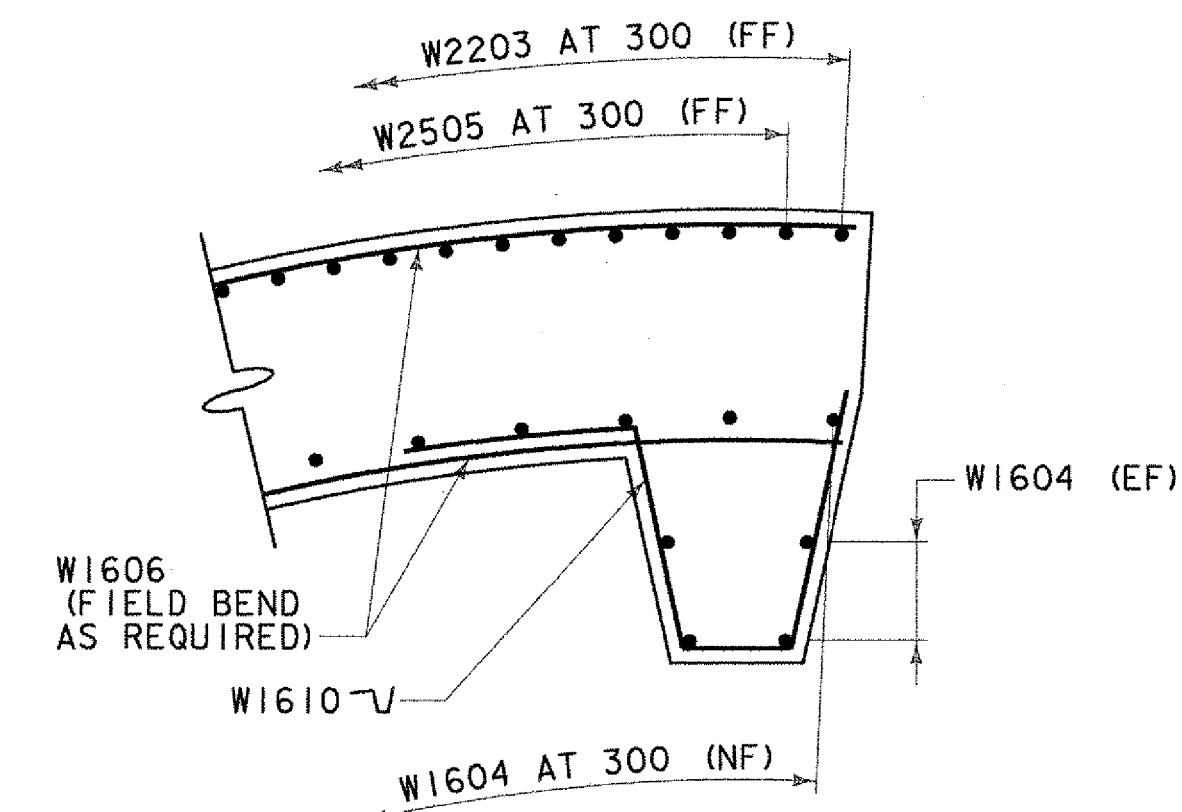
PLAN
SCALE 1:50



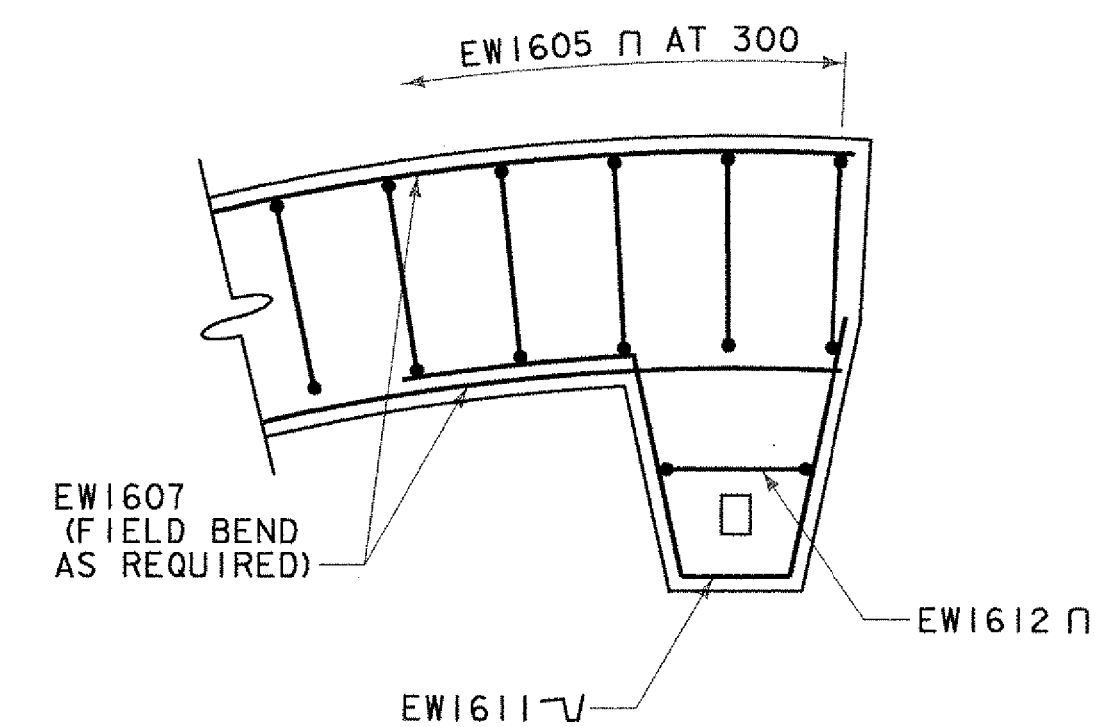
**TYPICAL EARTHWORK SECTION
TH 1 RETAINING WALL**
SCALE 1:40



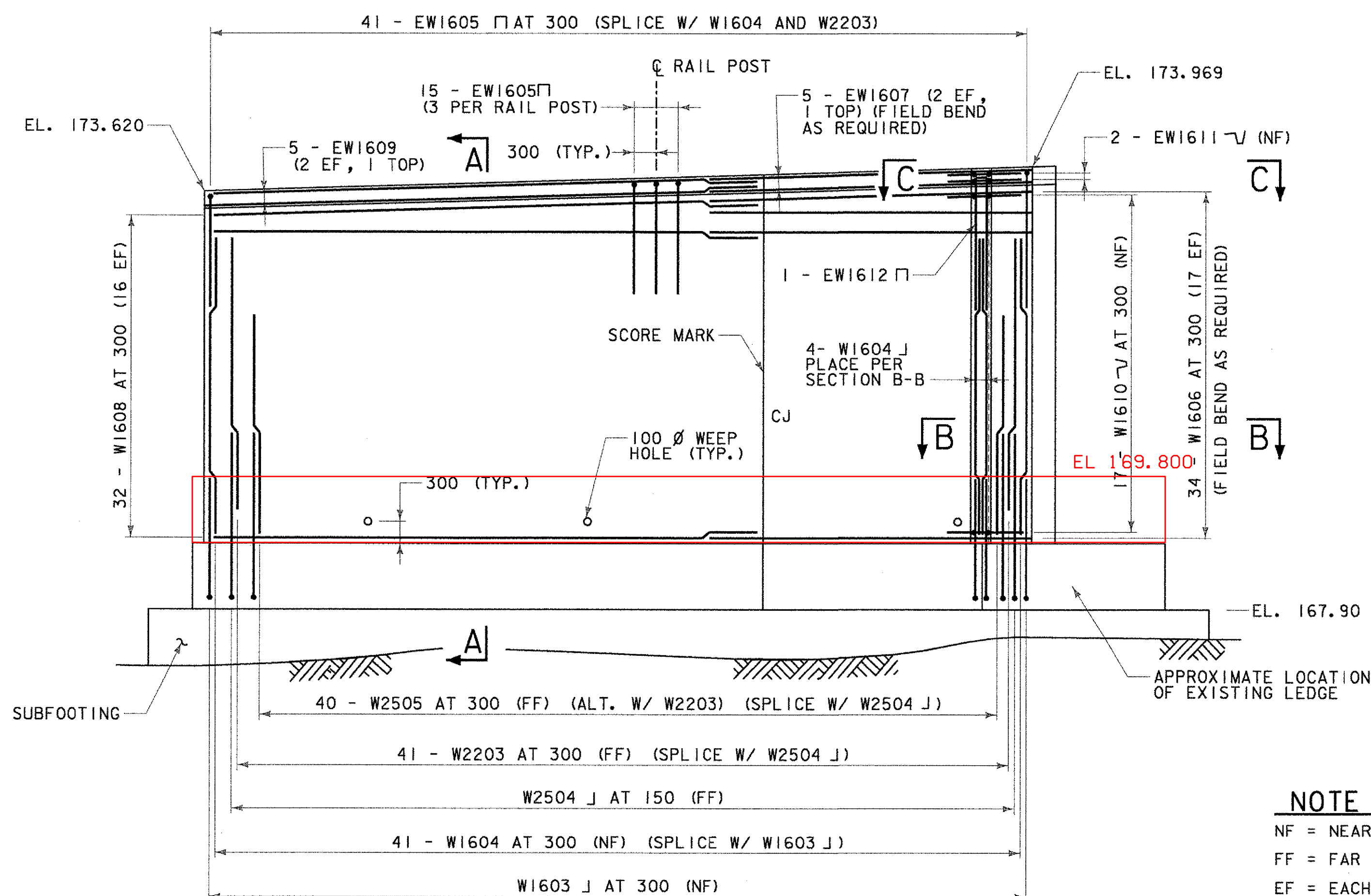
DETAIL A - SIGN SUPPORT
SCALE 1:20



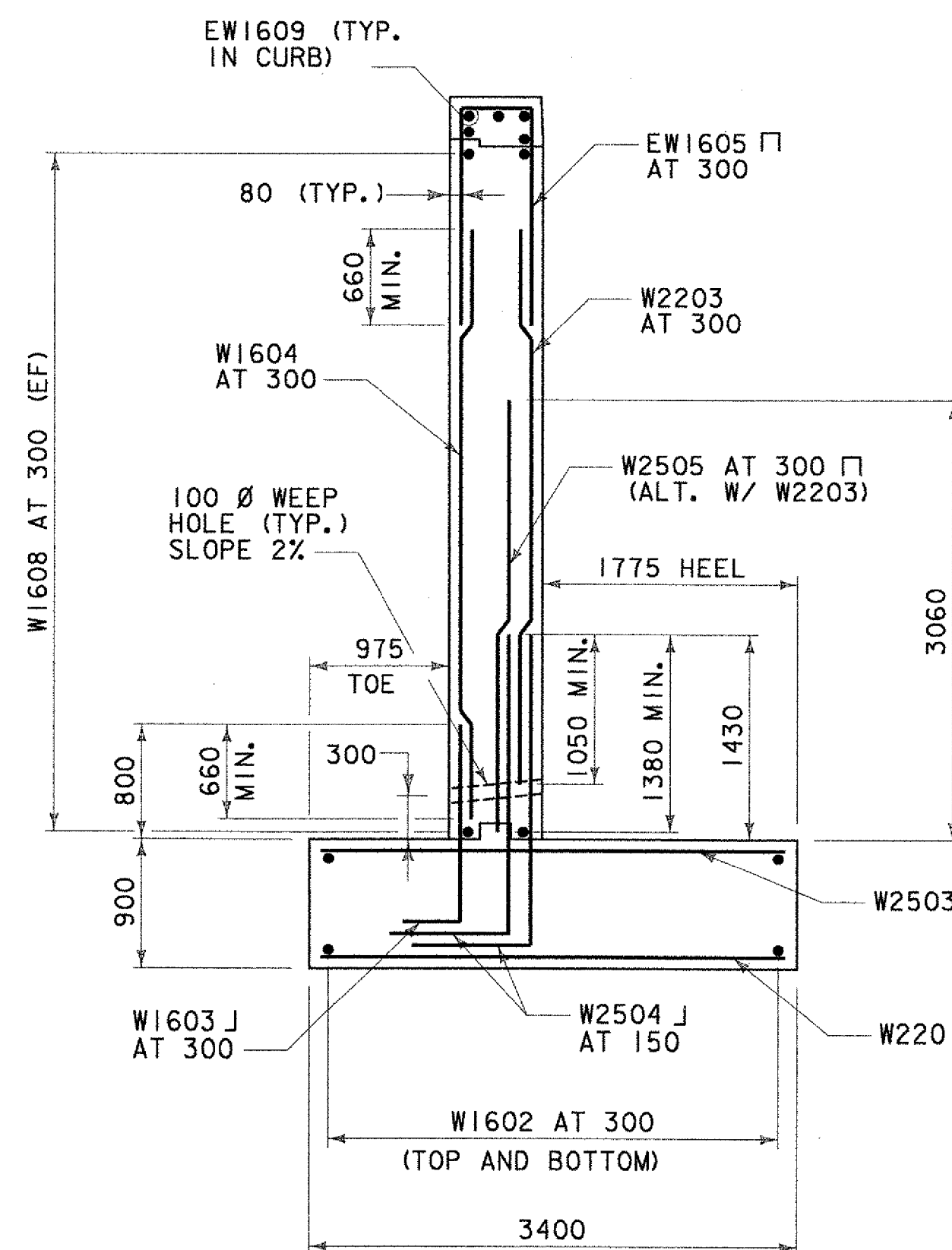
SECTION B-B
SCALE 1:20



SECTION C-C
SCALE 1:20



ELEVATION
SCALE 1:50



SECTION A-A
SCALE 1:40

NOTE
 NF = NEAR FACE
 FF = FAR FACE
 EF = EACH FACE
 ▲ = FIELD CUT
 CJ = CONSTRUCTION JOINT
 * = SEE TYPICAL SECTION FOR LAYOUT

**STATE OF VERMONT
AGENCY OF TRANSPORTATION**

Town Of	TUNBRIDGE	Bridge No.	4
Highway No.	VT.110	Log Sta.	
		Surv. Sta.	
VT.110 OVER THE FIRST BRANCH OF WHITE RIVER			
TH 1 RETAINING WALL DETAILS			
Designed By	JH	Drawn By	MWS
Checked By	RMR	Date	3/03
		Bridge Design Supervisor	LMM
		Date	3/03
PROJECT	TUNBRIDGE	PROJECT NO.	BRS 0169(6)
I.G.C. Info.			
Bridge Sheet No.		Sheet	99 of 128

