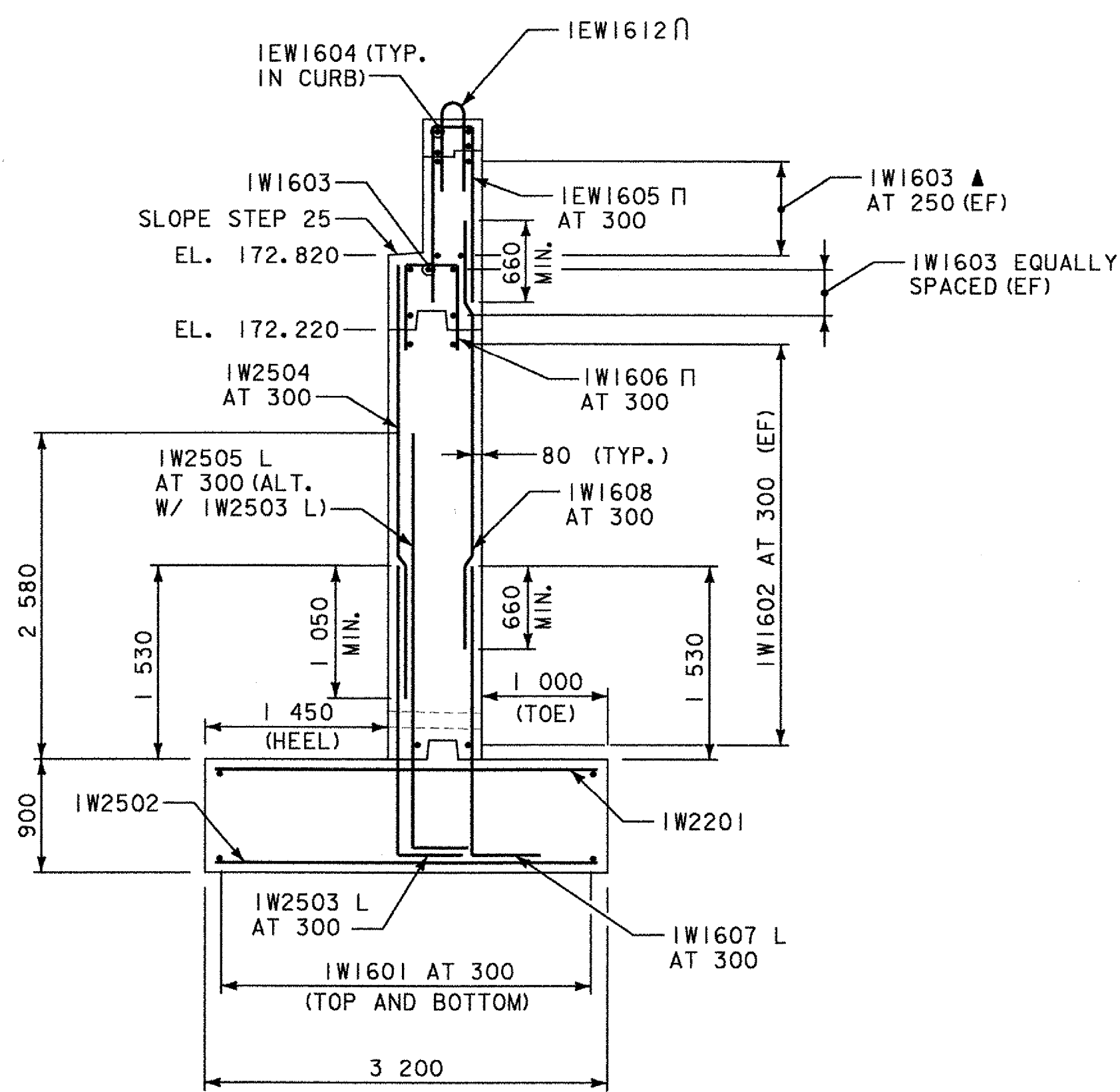
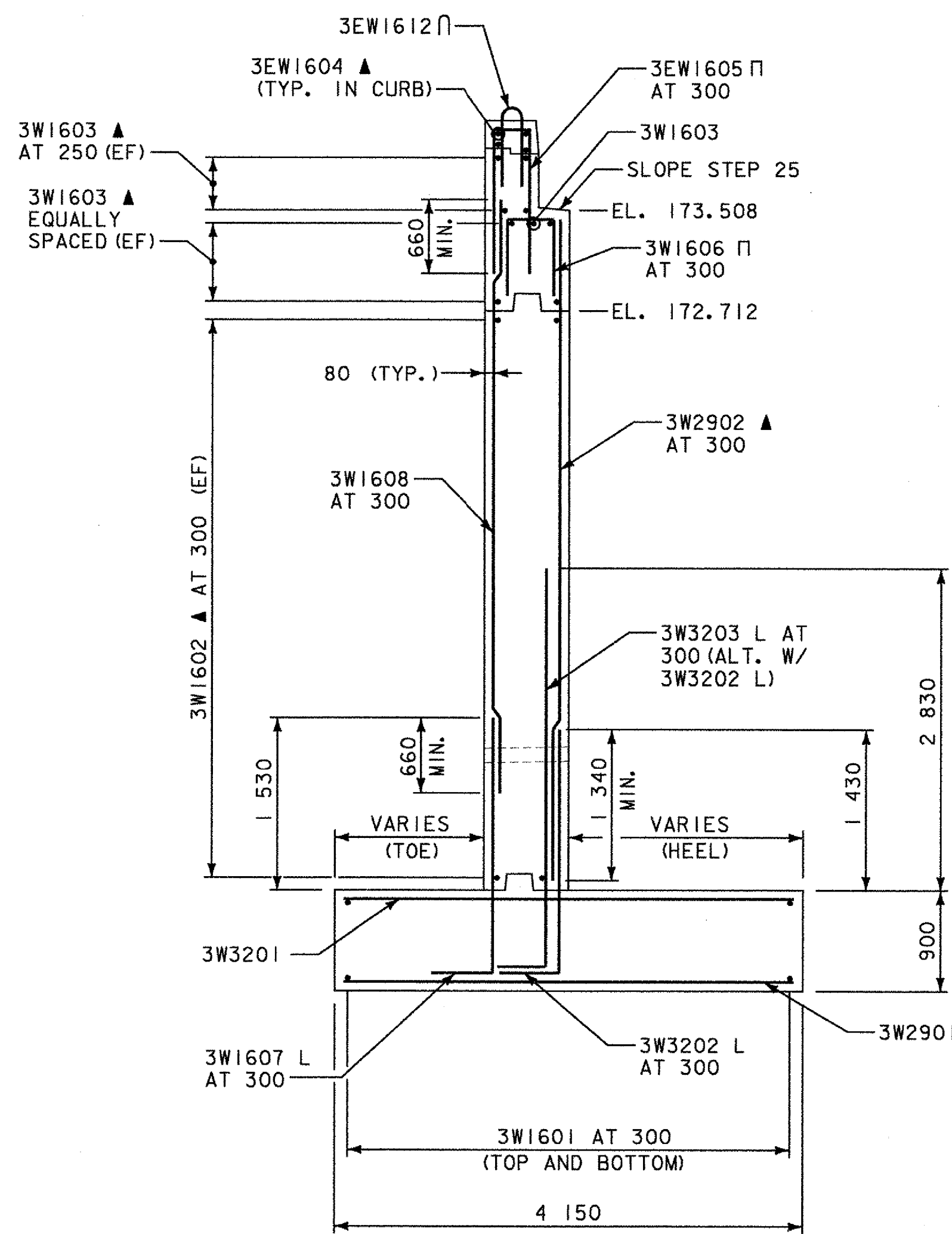


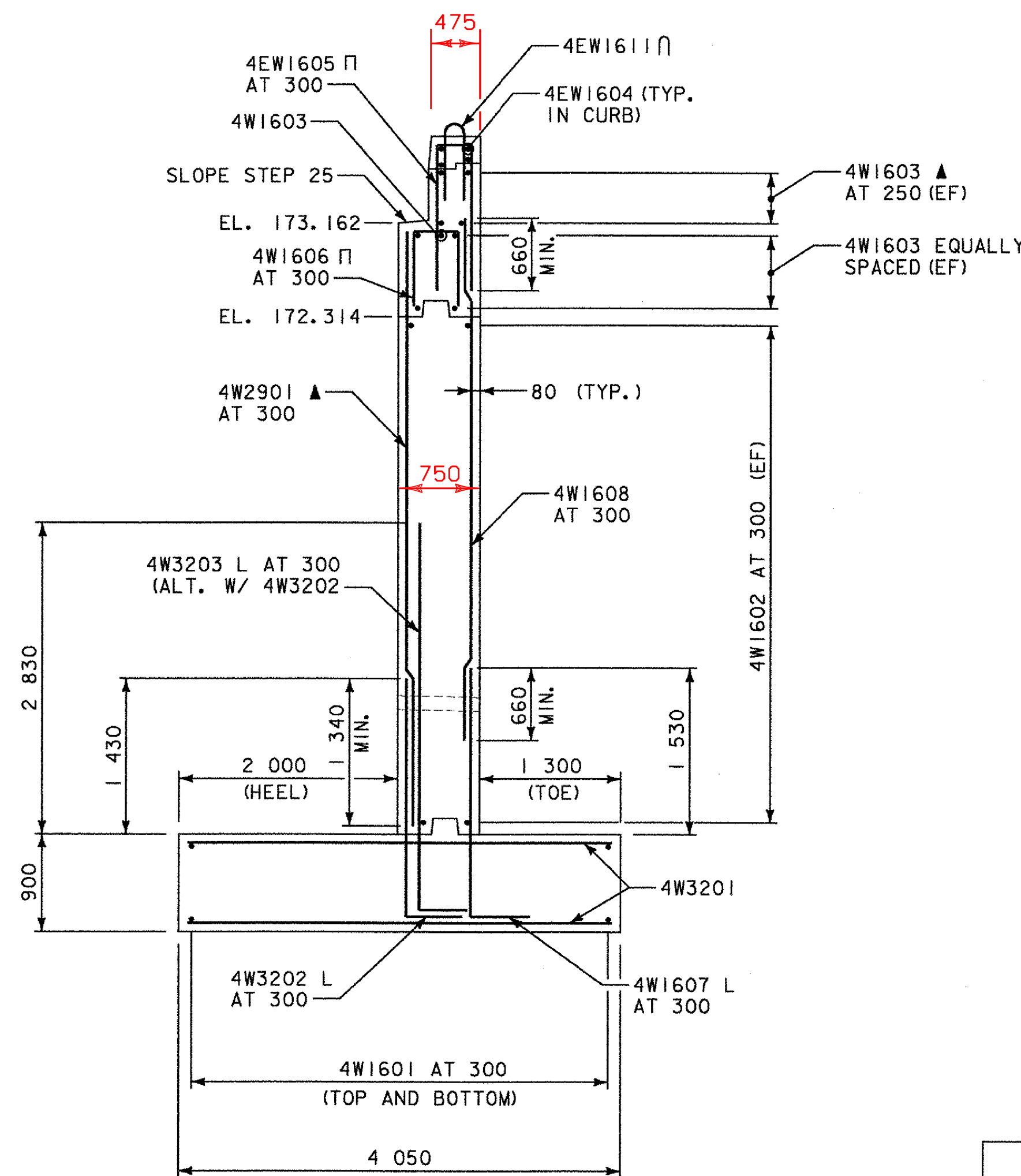
**WINGWALL 2 SECTION**  
SCALE 1:40



**WINGWALL 1 SECTION**  
SCALE 1:40



**WINGWALL 3 SECTION**  
SCALE 1:40



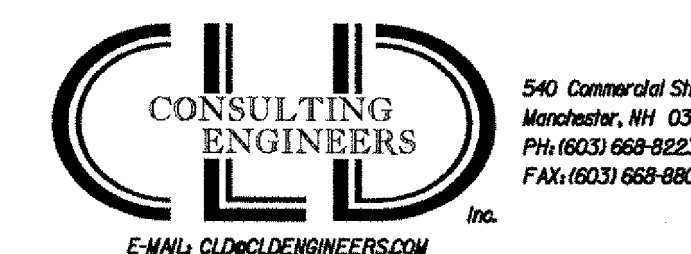
**WINGWALL 4 SECTION**  
SCALE 1:40

**NOTE**

- NF = NEAR FACE
- FF = FAR FACE
- EF = EACH FACE
- ▲ = FIELD CUT
- CJ = CONSTRUCTION JOINT

**STATE OF VERMONT  
AGENCY OF TRANSPORTATION**

Town Of	TUNBRIDGE	Bridge No.	4
Highway No.	VT.110	Log Sta.	
VT.110 OVER THE FIRST BRANCH OF WHITE RIVER		Surv. Sta.	
<b>WINGWALL SECTIONS</b>			
Designed By	JH	Drawn By	MWS
Checked By	RMR	Date	3/03
		Bridge Design Supervisor	LMM Date 3/03
PROJECT	TUNBRIDGE	PROJECT NO.	BRS 0169(6)
I.G.C. Info.			
Bridge Sheet No.	Sheet 96 of 128		



se063wms.dgn