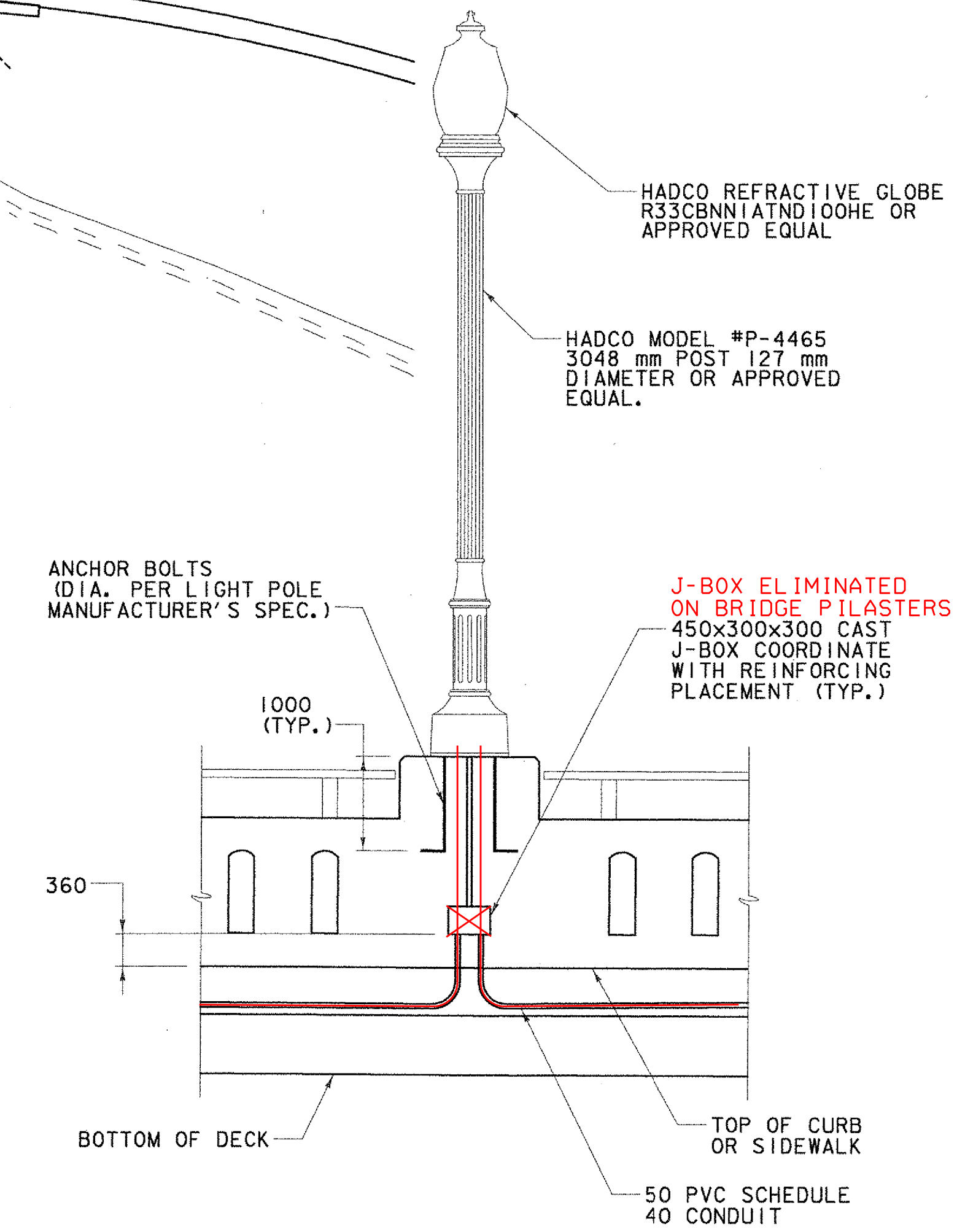
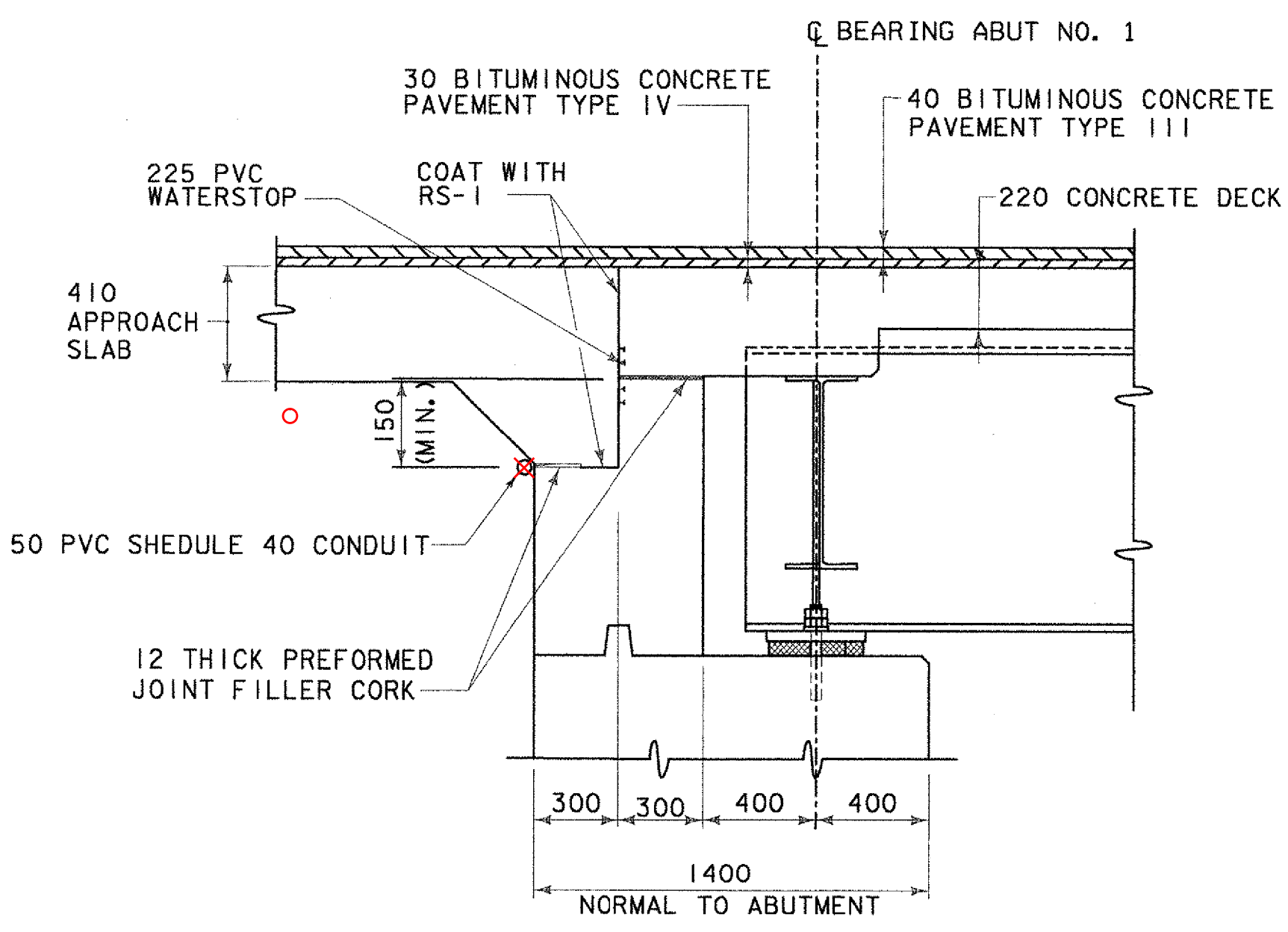


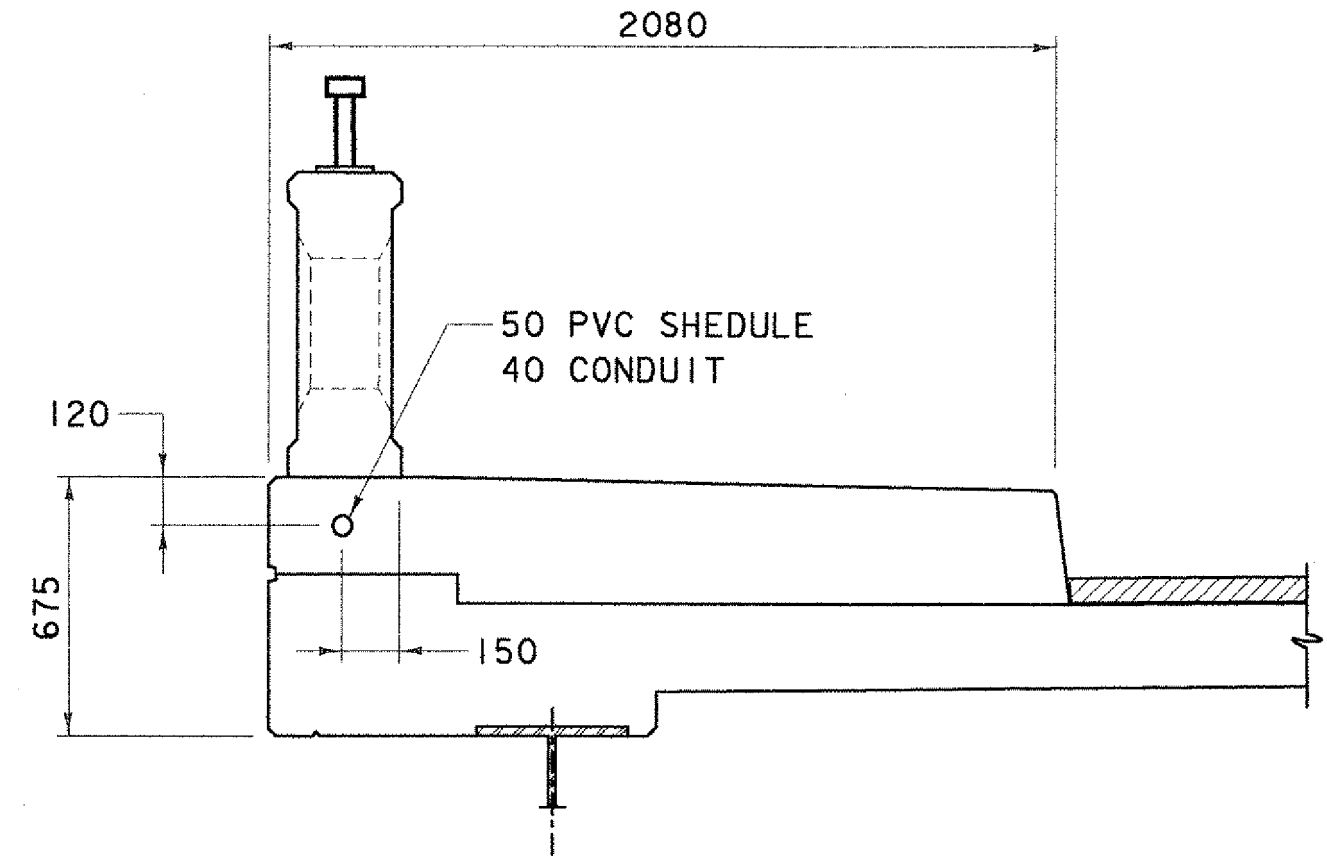
**LIGHTING PLAN**  
SCALE 1:200



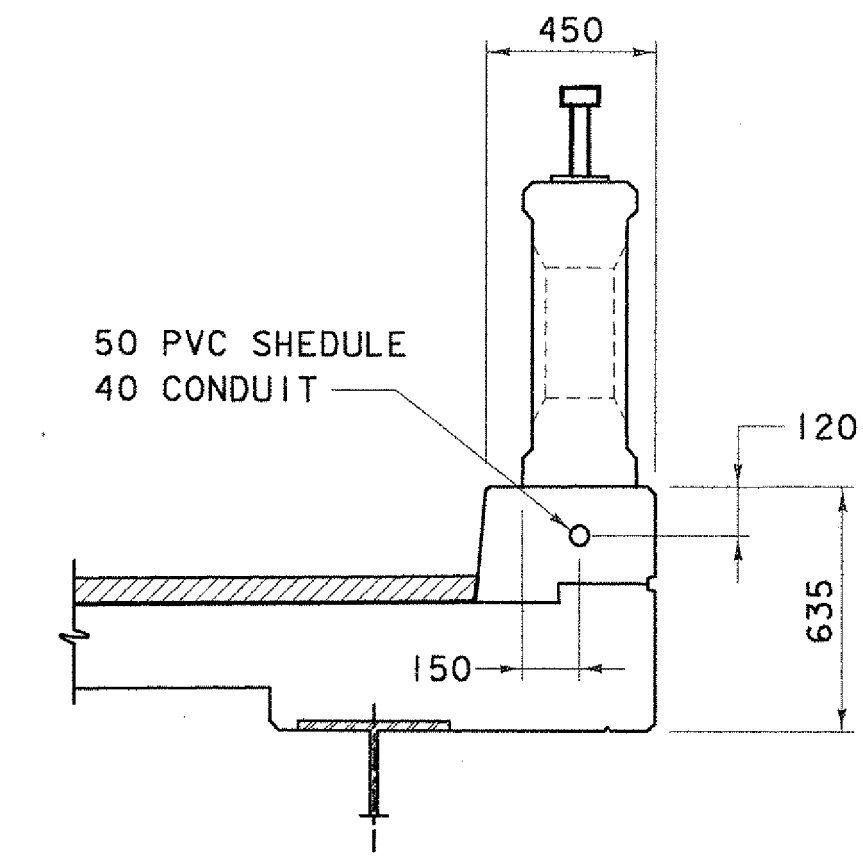
**DETAIL A**  
SCALE 1:50



**DETAIL B**  
SCALE 1:20



**SECTION A-A**  
SCALE 1:20



**SECTION B-B**  
SCALE 1:20

<b>STATE OF VERMONT AGENCY OF TRANSPORTATION</b>	
Town Of <b>TUNBRIDGE</b>	Bridge No. <b>4</b>
Highway No. <b>VT.110</b>	Log Sta. Surv. Sta.
<b>VT.110 OVER THE FIRST BRANCH OF WHITE RIVER LIGHTING PLAN AND DETAILS</b>	
Designed By <b>JH</b>	Drawn By <b>MWS</b>
Checked By <b>RMR</b>	Date <b>3/03</b>
<b>PROJECT TUNBRIDGE</b>	
<b>PROJECT NO. BRS 0169(6)</b>	
I.G.C. Info.	
Bridge Sheet No.	Sheet <b>84</b> of <b>128</b>