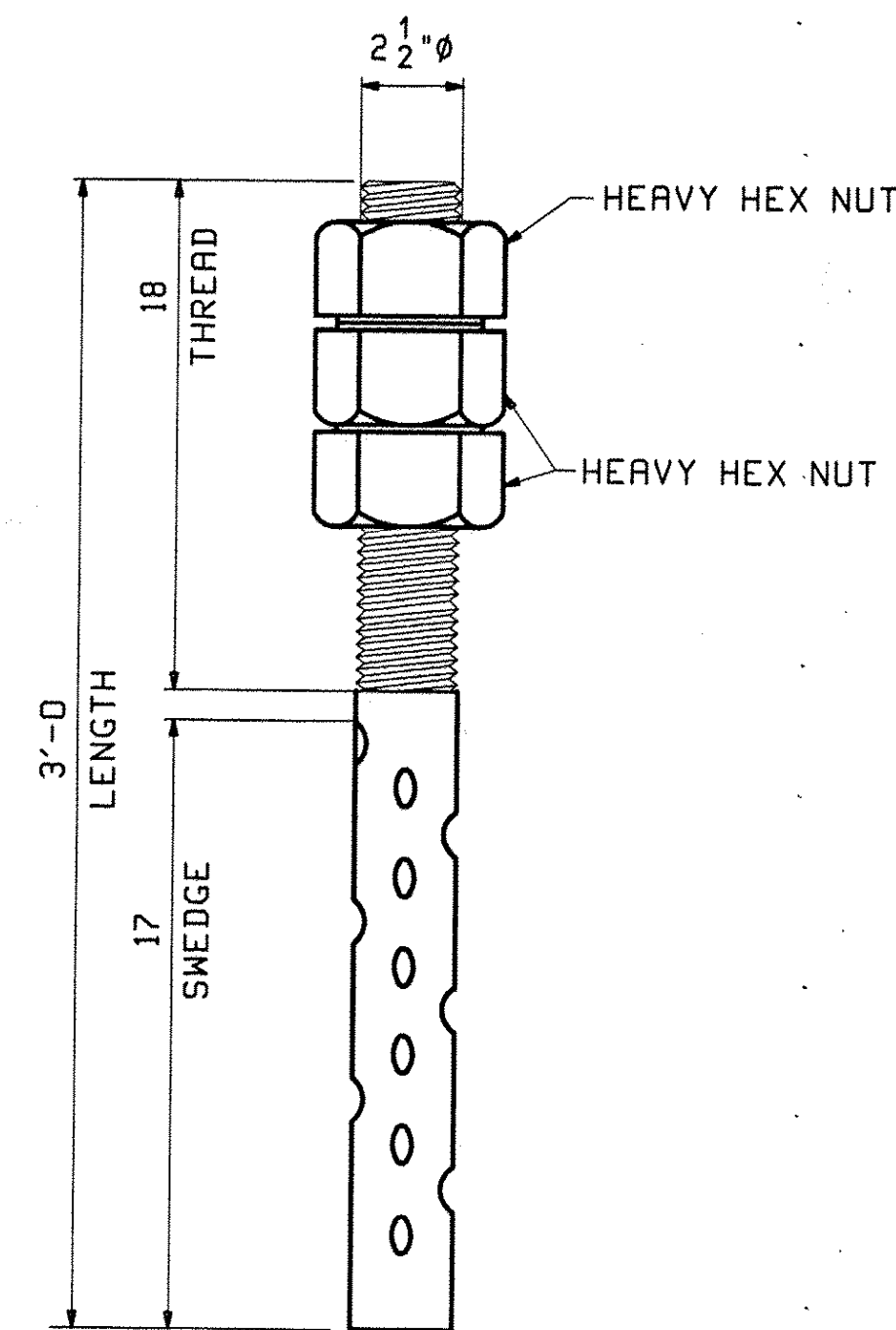
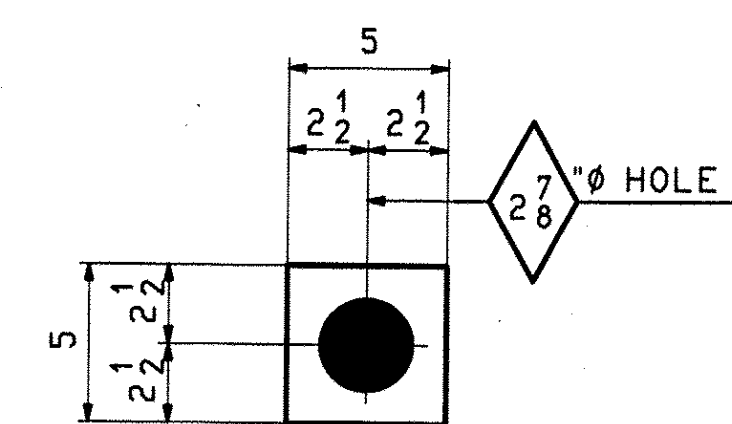


40 ~ DIAPHRAGMS ~ 8D1
SSPC-SP6 10

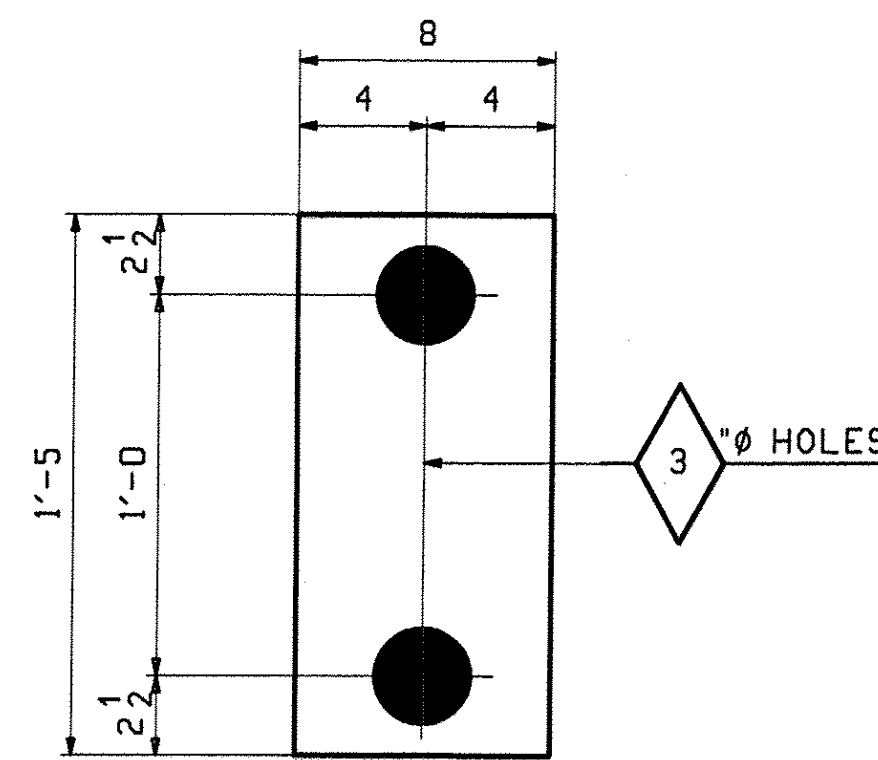


28 ~ SWEDGE ANCHOR BOLT ~ 8AB1

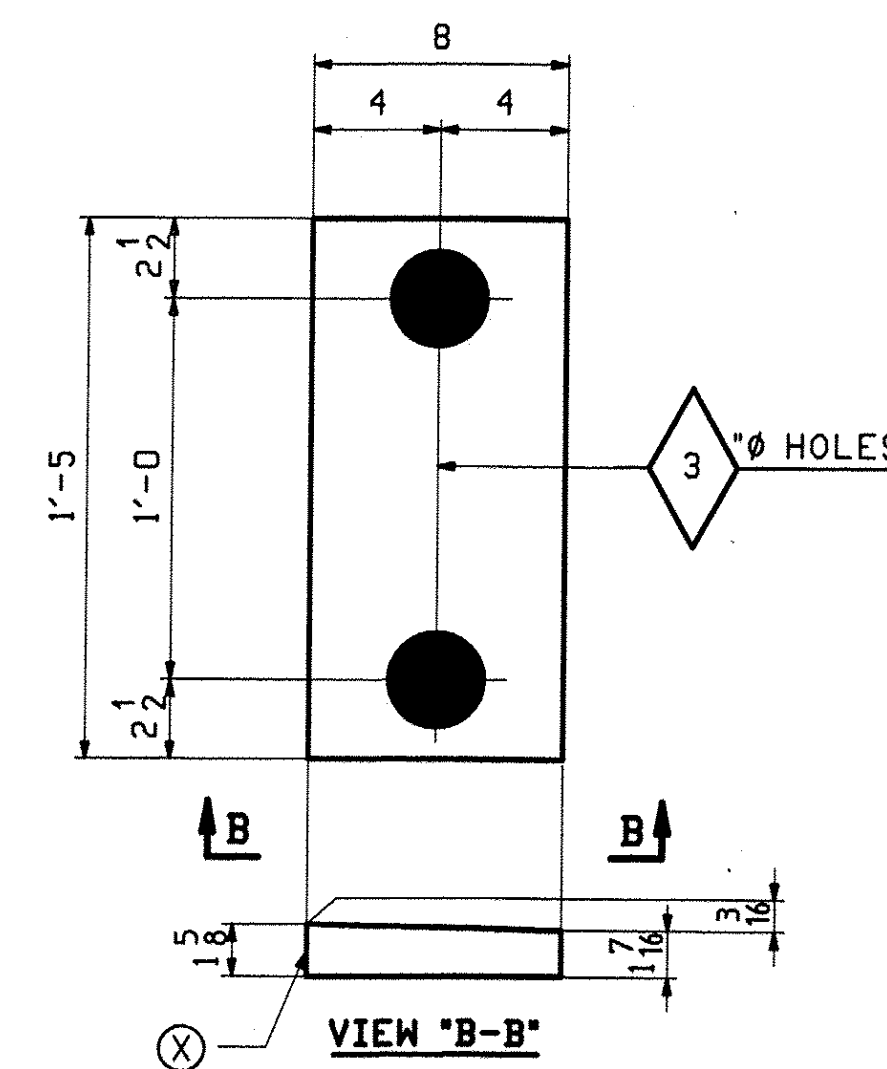
SHOP NOTE:
FABRICATE 1 EXTRA ANCHOR BOLT 2 1/2" x 3'-0"
AS SHOWN ABOVE FOR TESTING PURPOSES.



56 ~ PLATE WASHERS ~ 8M1
SSPC-SP6 10



7 ~ SOLE PLATES ~ 8M2
SSPC-SP6 10



7 ~ SOLE PLATES ~ 8M3

SSPC-SP6 10

⊗ DENOTES THICKER
SIDE OF SOLE PL

ABM INFO		SHP		BILL OF MATERIAL				JOB NO.	DRAWING NO.	REV.
PAGE	LINE	MARK	QTY	MARK	MATERIAL	LENGTH FT INCHES	REMARKS	476	8	
		B01	40		DIAPHRAGMS					799
4	E		40		W 40x149	5 4 3/8	M270-S0WT2			
		8AB1	28		ANCHOR BOLTS					17
4	K		28		2 1/2" BLT	3 0	SWEDGED A449			
4	L		84		2 1/2" HHN		M291			
		8M1	56		PLATE WASHER					4
4	G		56		PL 1/2x5	0 5	M270-36			
		8M2	7		SOLE PLATE					58
4	H		7		PL 1/2x8	1 5	M270-36			
		8M3	7		SOLE PLATE					63
4	J		7		PL 1 1/8x8	1 5	FIS M270-36			

APPROVED
BY EIC
DATE 12/30/10
APPROVED AS NOTED
BY CPW

FOR GENERAL NOTES SEE GNI

REV.	DATE	REMARKS	DWN	CHK	APVL	SHOP
0						
MATERIAL:		SURFACE PREP. & PAINT:		HOLES:		SHOP BOLTS:
M270-GR50WT2 (U.N)		AS NOTED		1 5/16" x 8" (U.N)		N/A
DESCRIPTION: DIAPHRAGMS						
CASCO BAY STEEL STRUCTURES, INC. 75 SPRING HILL ROAD SACO, MAINE 04072 PHONE (207) 282-7360 FAX. (207) 282-1179						
STRUCTURE: VT 103 over Middle Branch Williams Rv. Bridge 9 CHESTER County of Windsor				DRAWN:	DATE:	
				TG	11/18	
				CHKD:	DATE:	
				DO	12/02	
LOCATION: Town of Chester				JOB NO.	DMG NO.	
PROJ NO. BRF 025-1(37)				476	8	
CUSTOMER: Cold River Bridges					REV. 8	