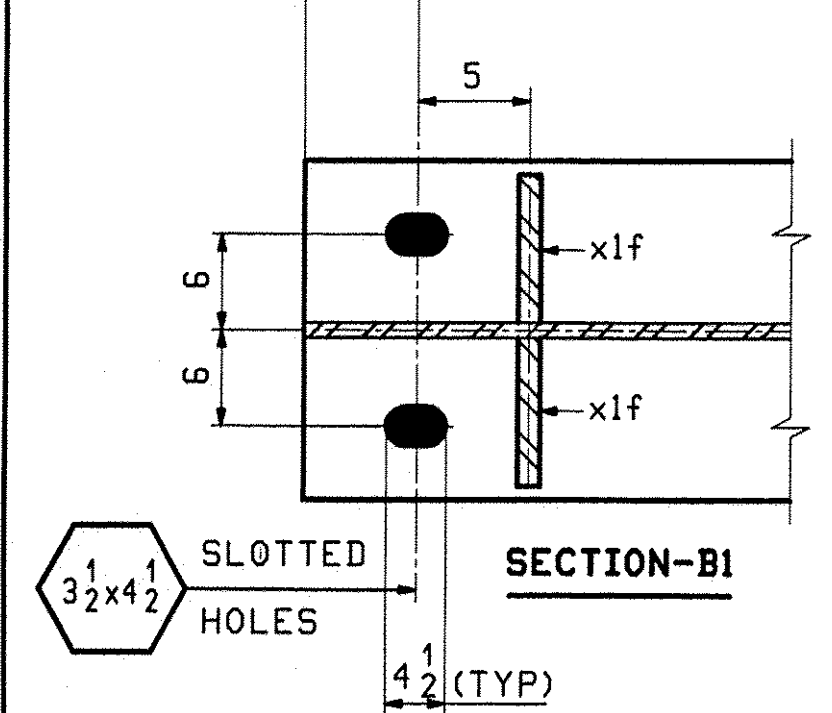
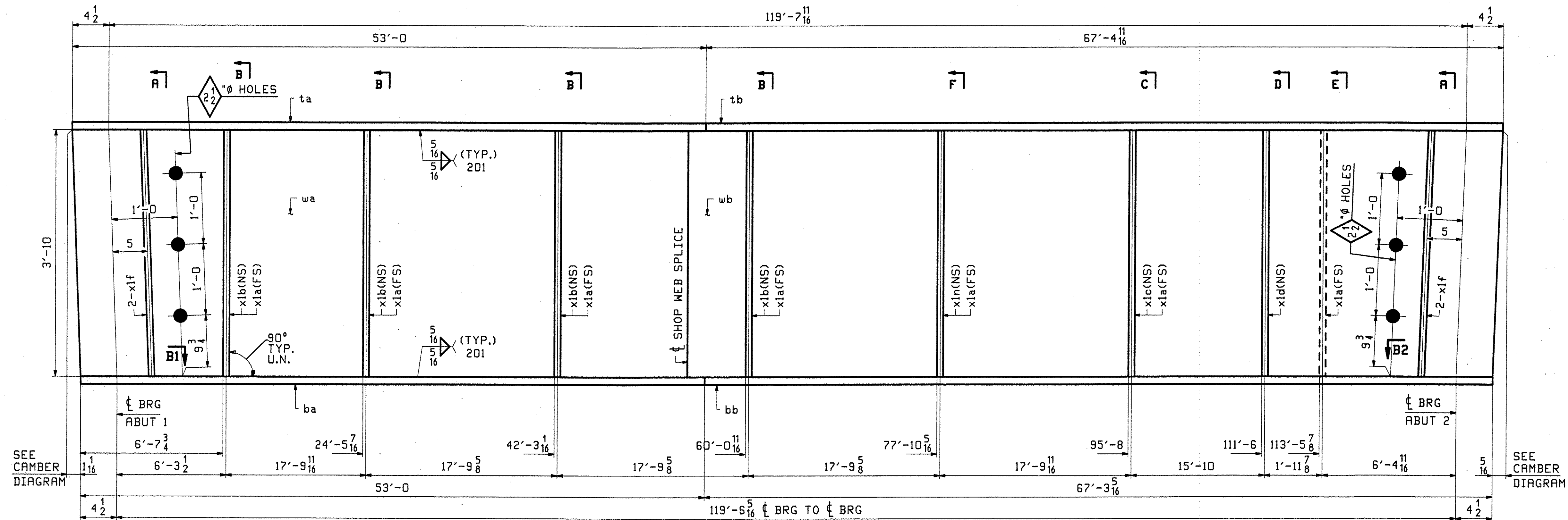
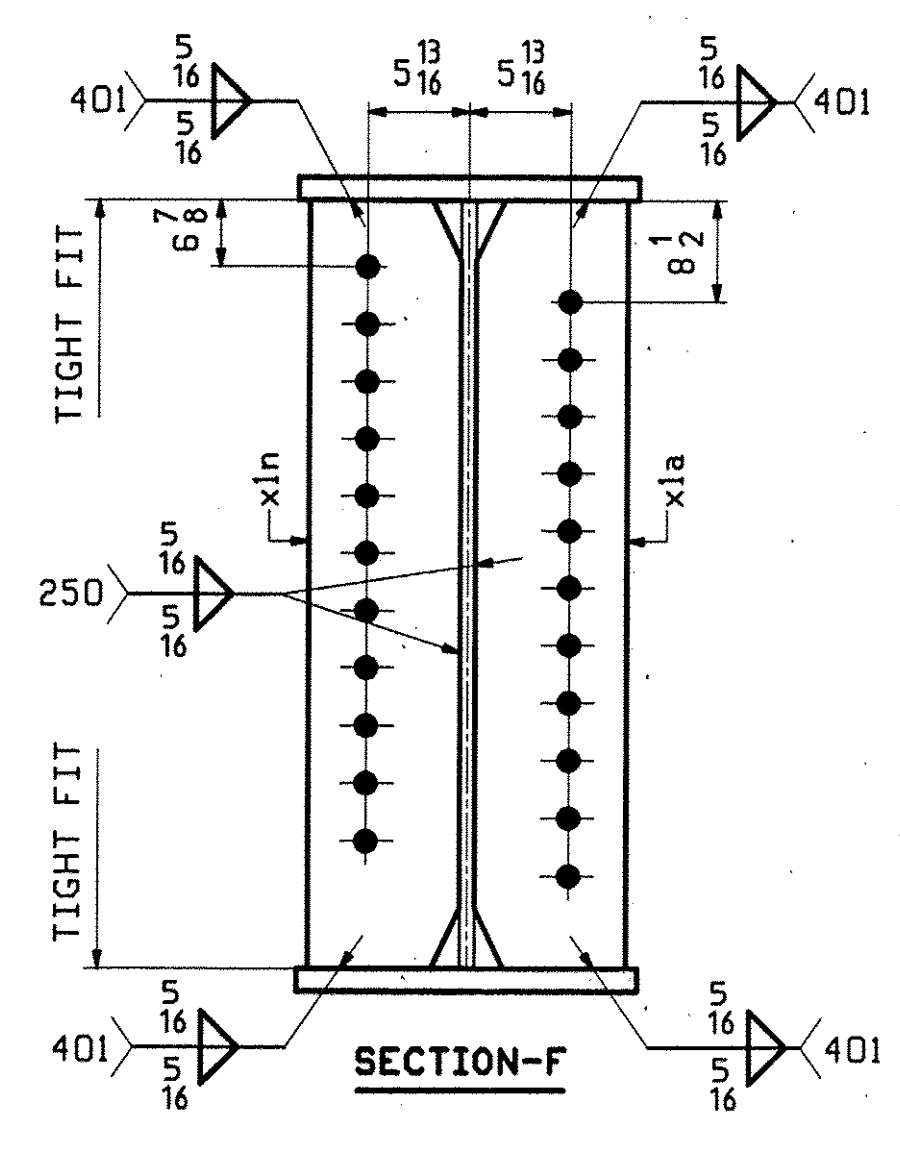
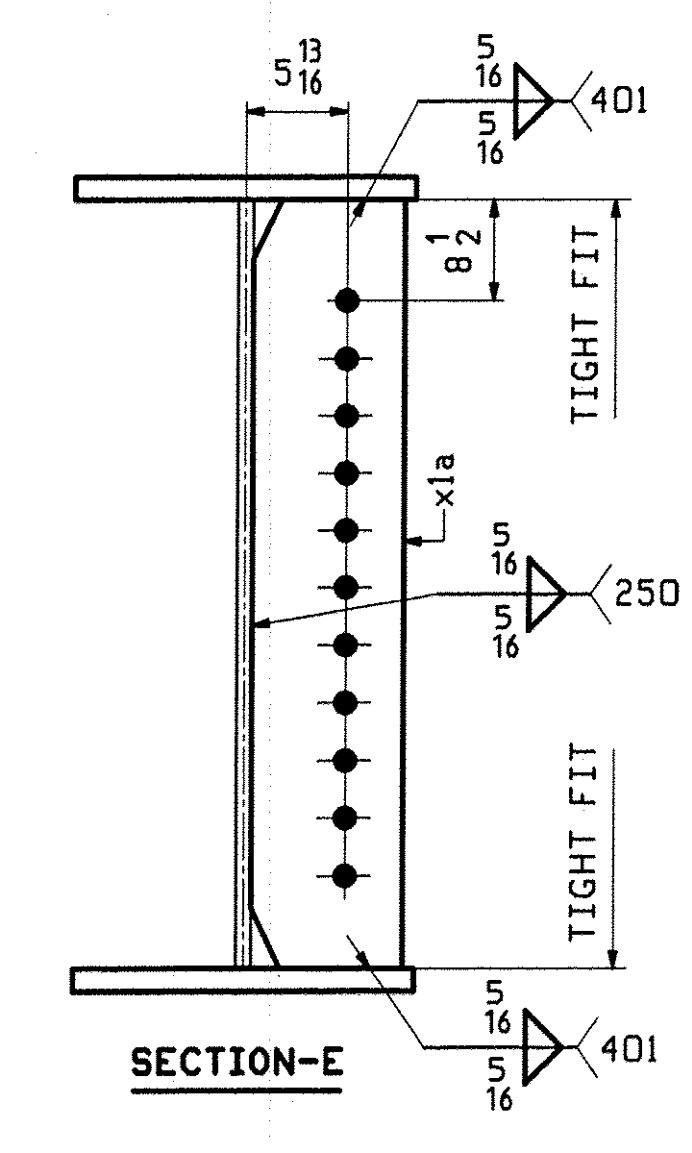
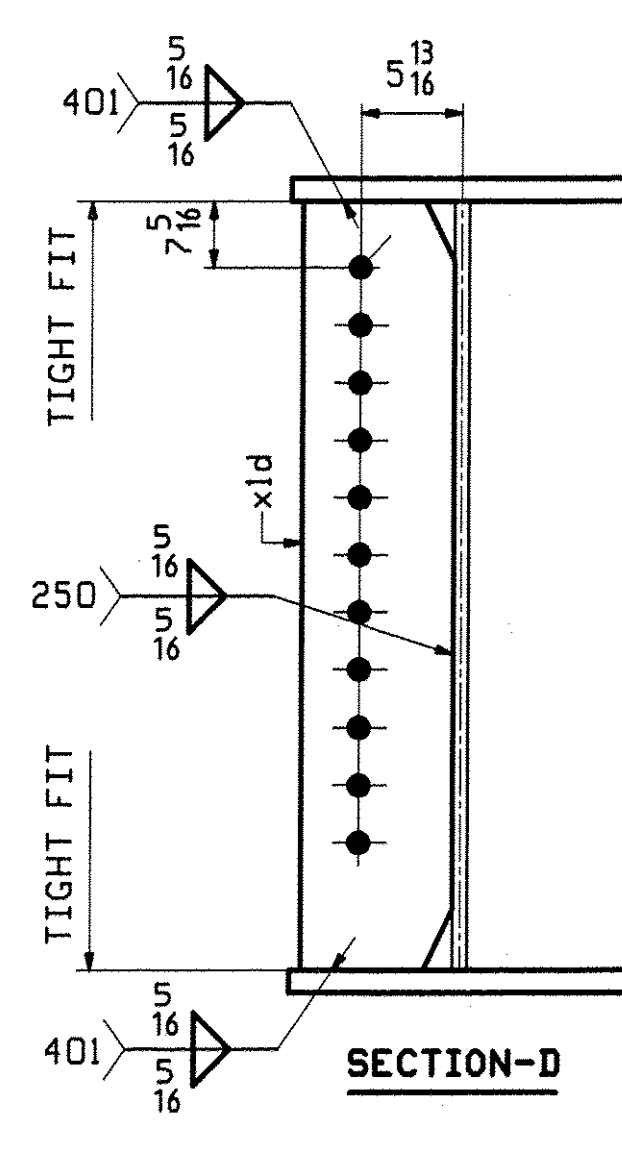
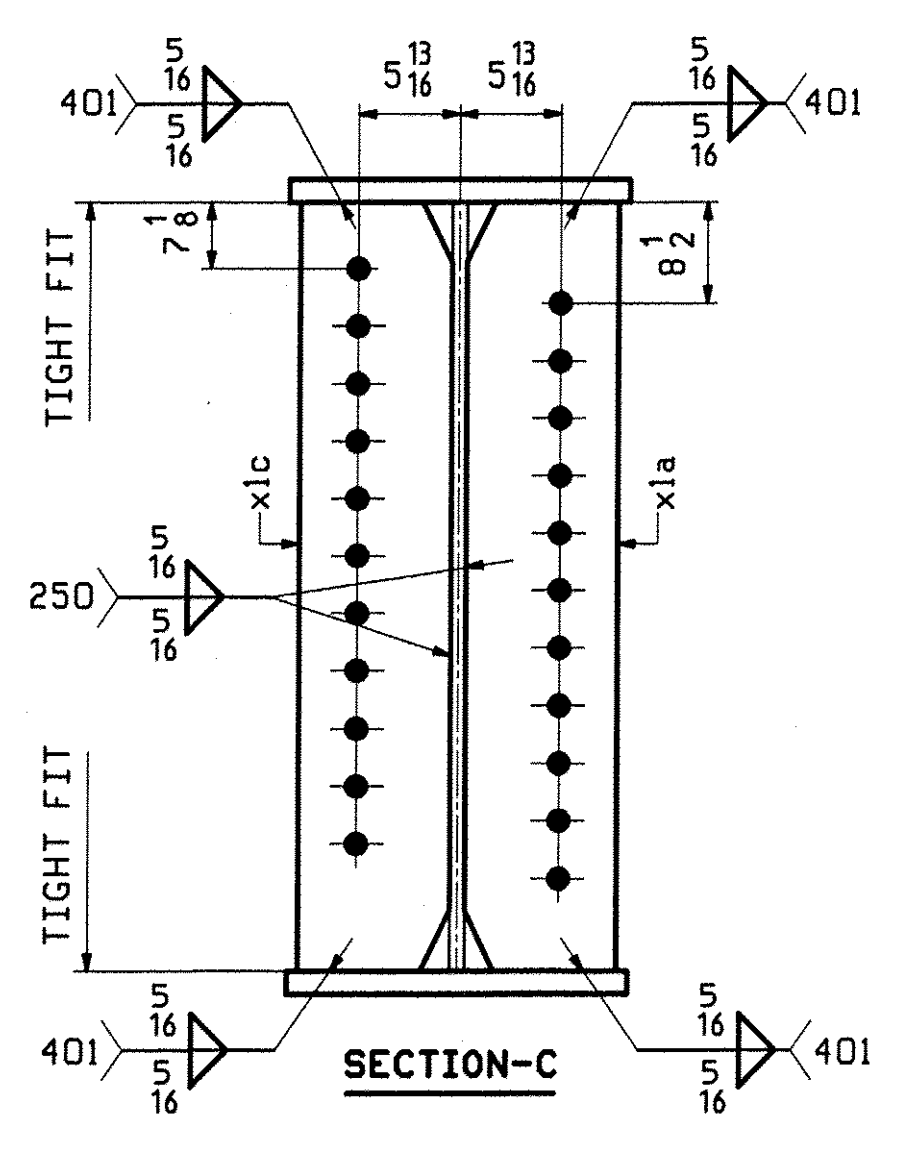
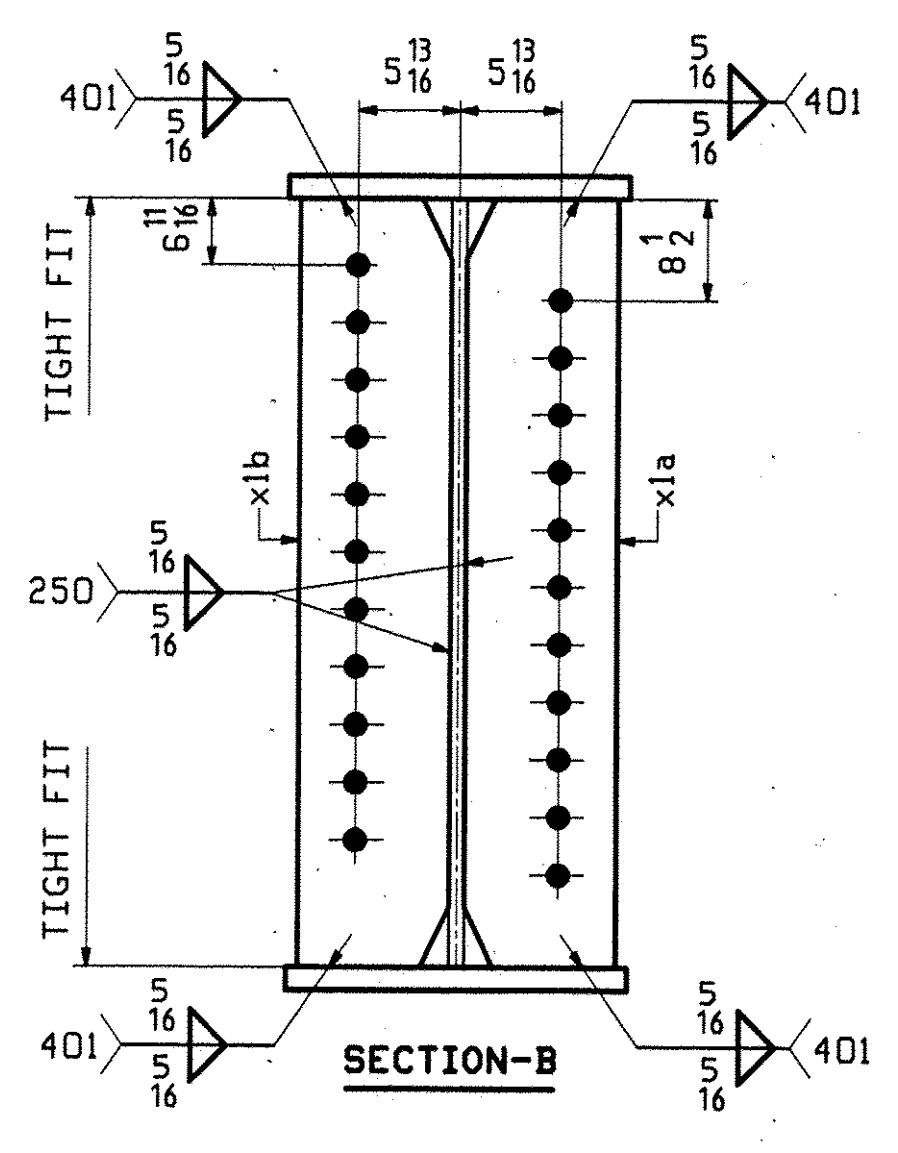
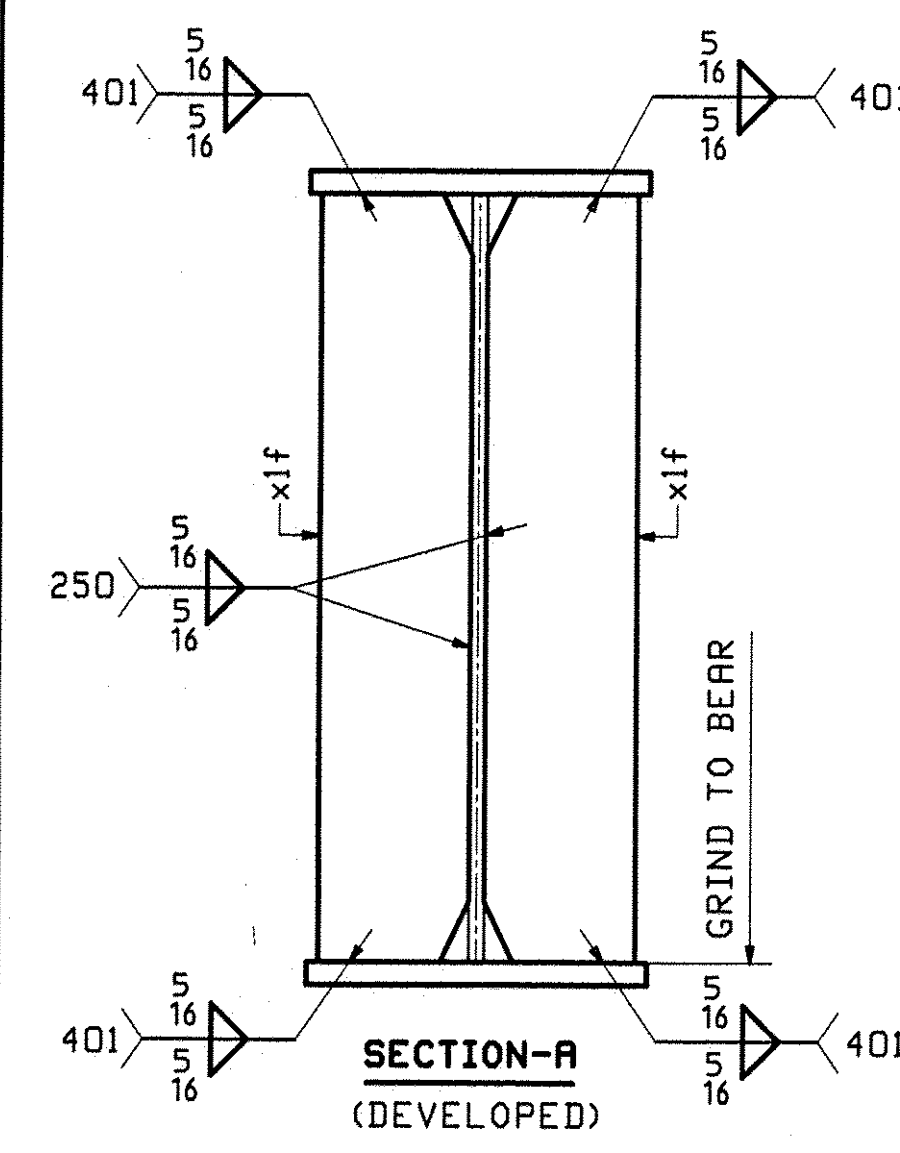
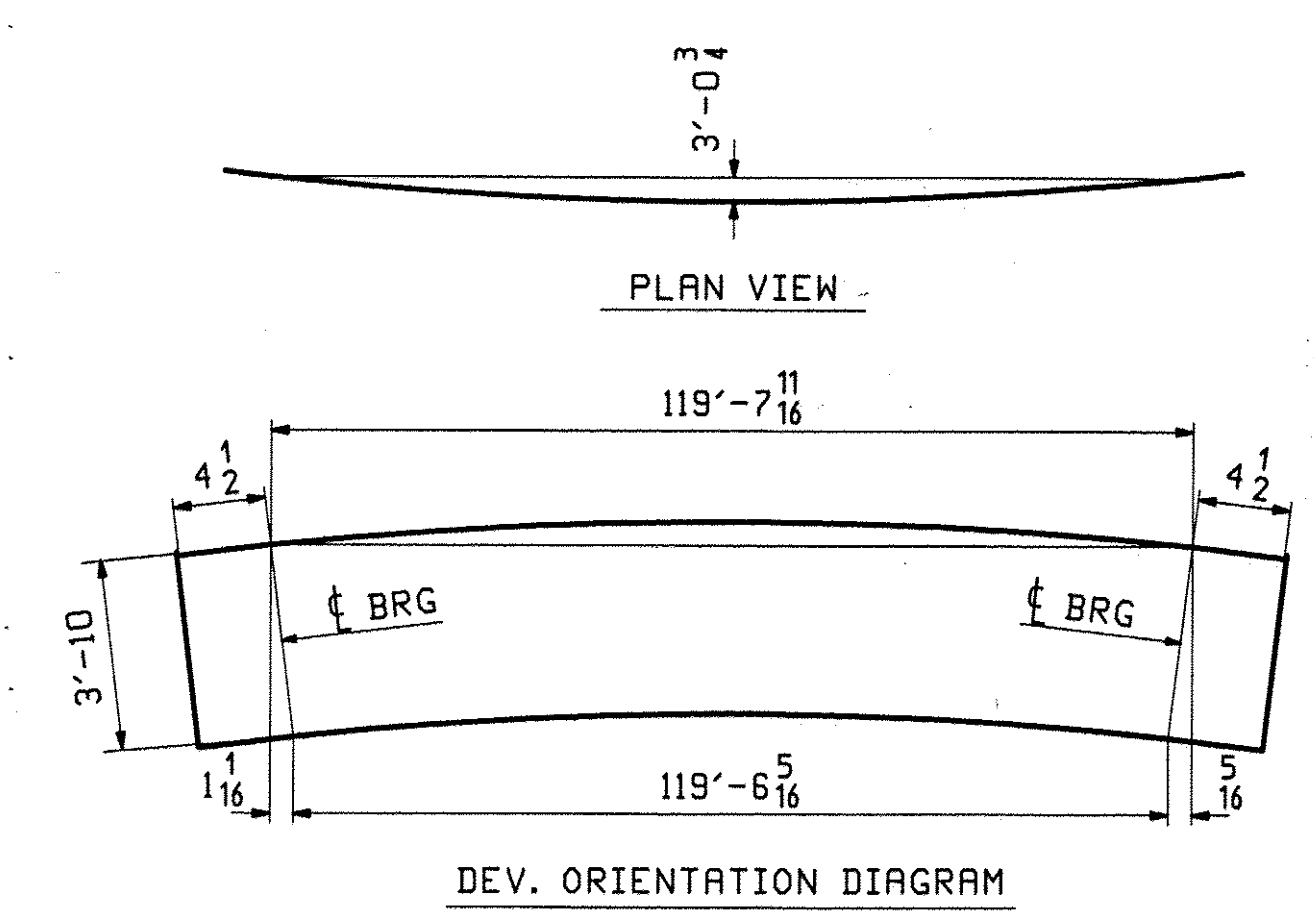
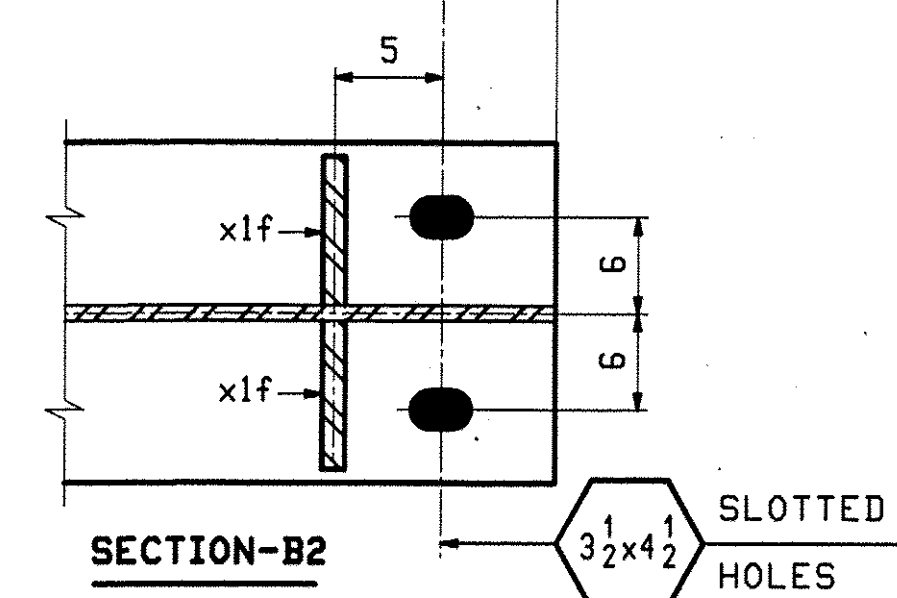


ABM INFO		SHIP		BILL OF MATERIAL			JOB NO.	DRAWING NO.	REV.
							476	6	
PAGE	LINE	MARK	QTY	MARK	MATERIAL	LENGTH FT INCHES	REMARKS	WT	PROCUREMENT NOTES
		6G6	1		GIRDER			35690	
2	J		1	wa	PL 5/8x46	51 1/16	M270-SQWT2		
2	E		1	wb	PL 5/8x46	69 4	M270-SQWT2		
3	C		1	ta	PL 7/8x18	53 0			
2	Y		1	tb	PL 7/8x18	67 4 1/8			
1	G		1	ba	PL 2 1/4x18	53 0	M270-SQWT2		
1	C		1	bb	PL 2 1/4x18	67 3 5/8	M270-SQWT2		
4	B		7	x1a	PL 1/2x7 1/2	3 10	M270-SQWT2		
4	B		4	x1b	PL 1/2x7 1/2	3 10	M270-SQWT2		
4	B		1	x1c	PL 1/2x7 1/2	3 10	M270-SQWT2		
4	B		1	x1d	PL 1/2x7 1/2	3 10	M270-SQWT2		
4	C		4	x1f	PL 1/2x7 1/2	3 10	M270-SQWT2		
4	B		1	x1n	PL 1/2x7 1/2	3 10	M270-SQWT2		



ONE - GIRDER - 6G6 (DEV)
 SEE DRAWING GNI FOR GENERAL NOTES
 SEE DRAWING F1 FOR FLANGE DIAGRAM
 SEE DRAWING C1 FOR CAMBER DIAGRAM
 SEE DWG X1 FOR GIRDER STANDARDS



REV.	DATE	REMARKS	DWN	CHK	APVL	SHOP
0						
MATERIAL:		SURFACE PREP. & PAINT:	HOLES:		SHOP BOLTS:	
M270-GR50W (U.N.)		SSPC-SP8 ¹⁰	15" 16" φ (U.N.)		N/A	
DESCRIPTION: GIRDER 6G6						
CASCO BAY STEEL STRUCTURES, INC. 75 SPRING HILL ROAD PHONE (207) 282-7360				SACO, MAINE 04072 FAX. (207) 282-1179		TENSOR 3030
STRUCTURE: VT 103 over Middle Branch Williams Rv. Bridge 9 CHESTER County of Windsor			DRAWN:	TG	DATE:	11/19
LOCATION: Town of Chester			CHKD:	DO	DATE:	12/01
PROJ NO.	BRF 025-1(37)	JOB NO.	476	DWG NO.	6	
CUSTOMER:	Cold River Bridges	REV.				

RECEIVED
 DEC 14 2009
 APPROVED: [Signature]
 BY: GOW DATE: 12/30/10