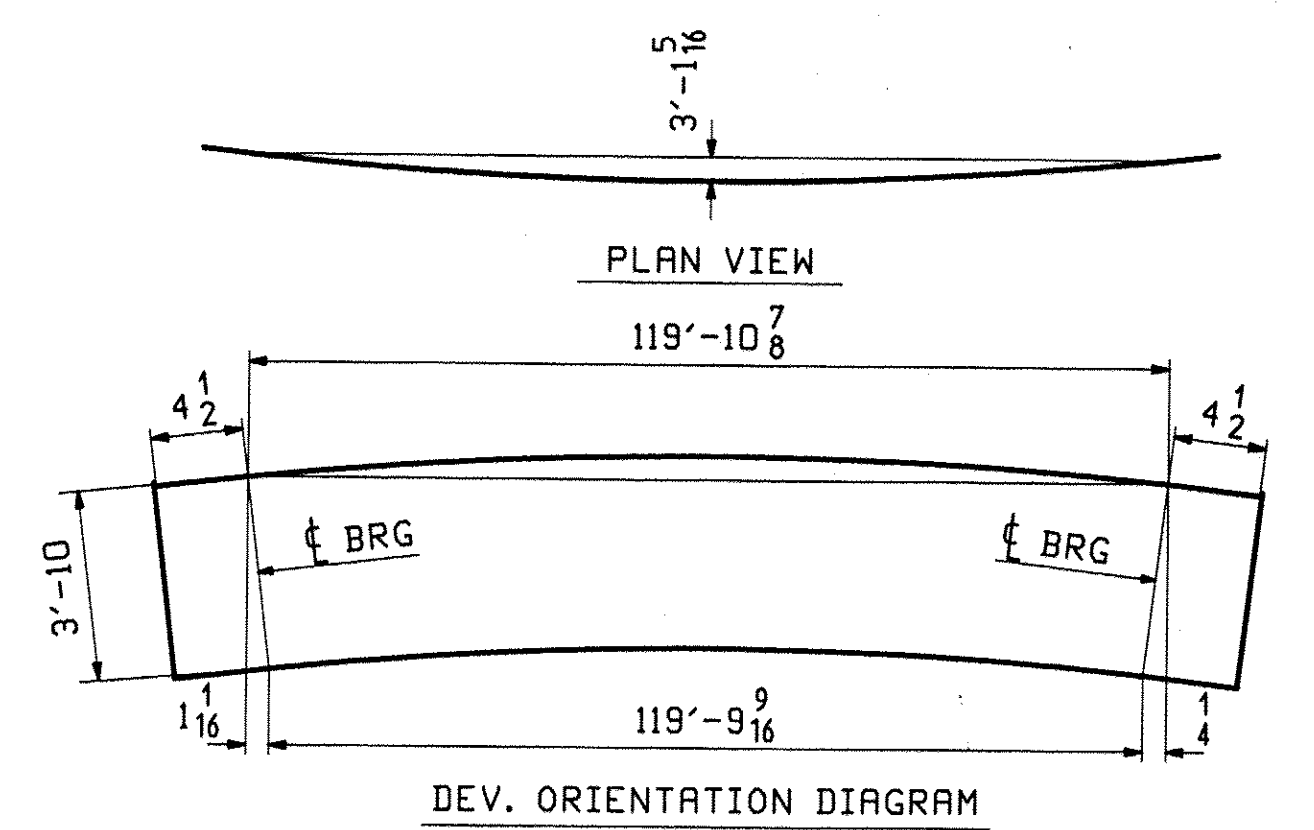
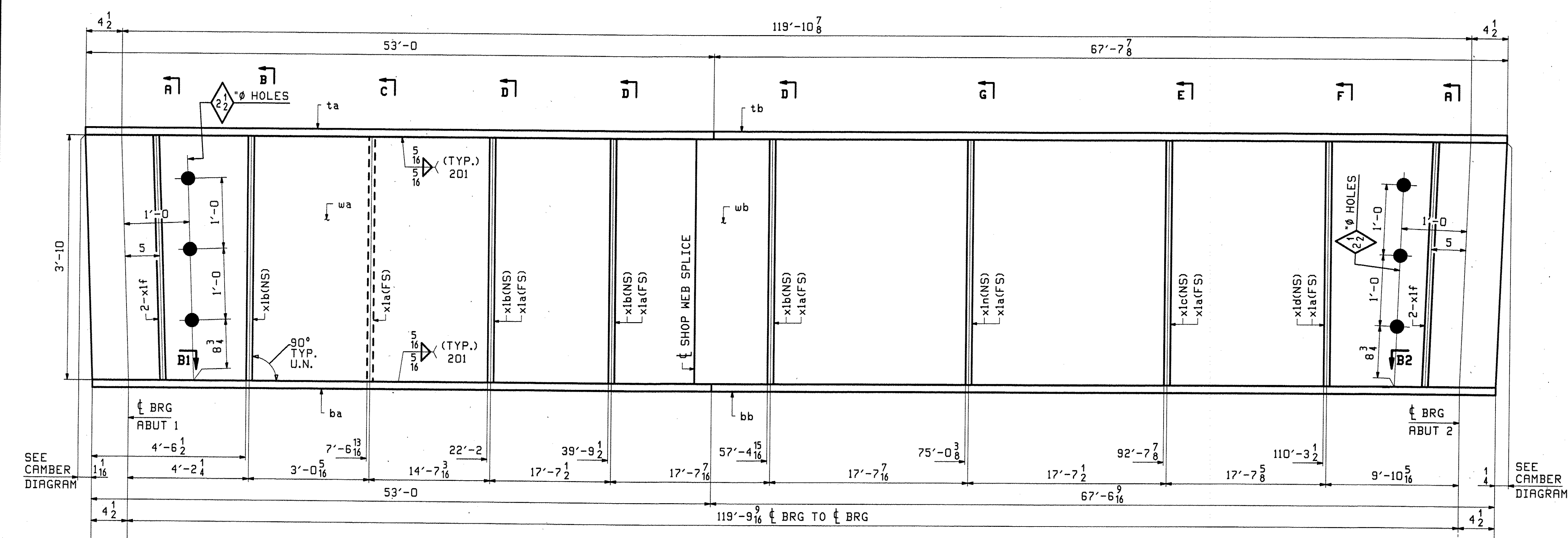
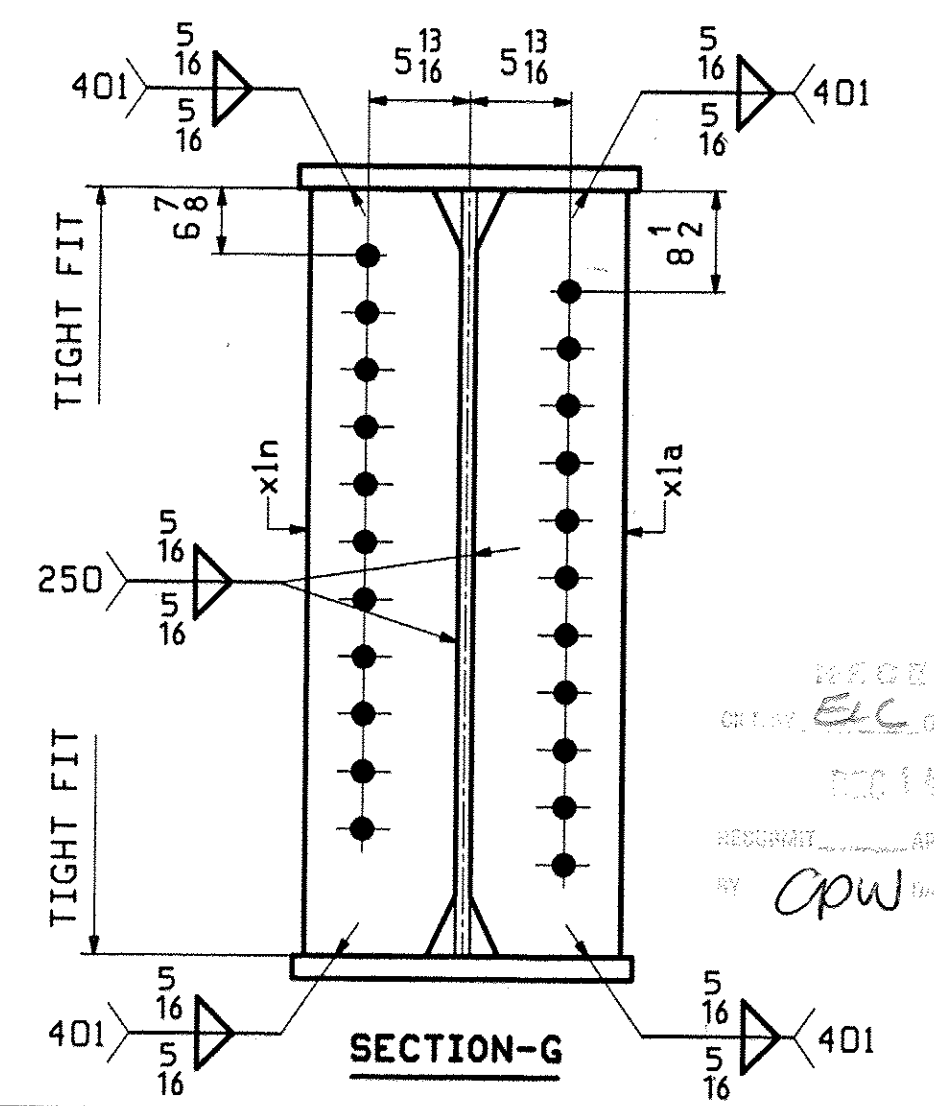
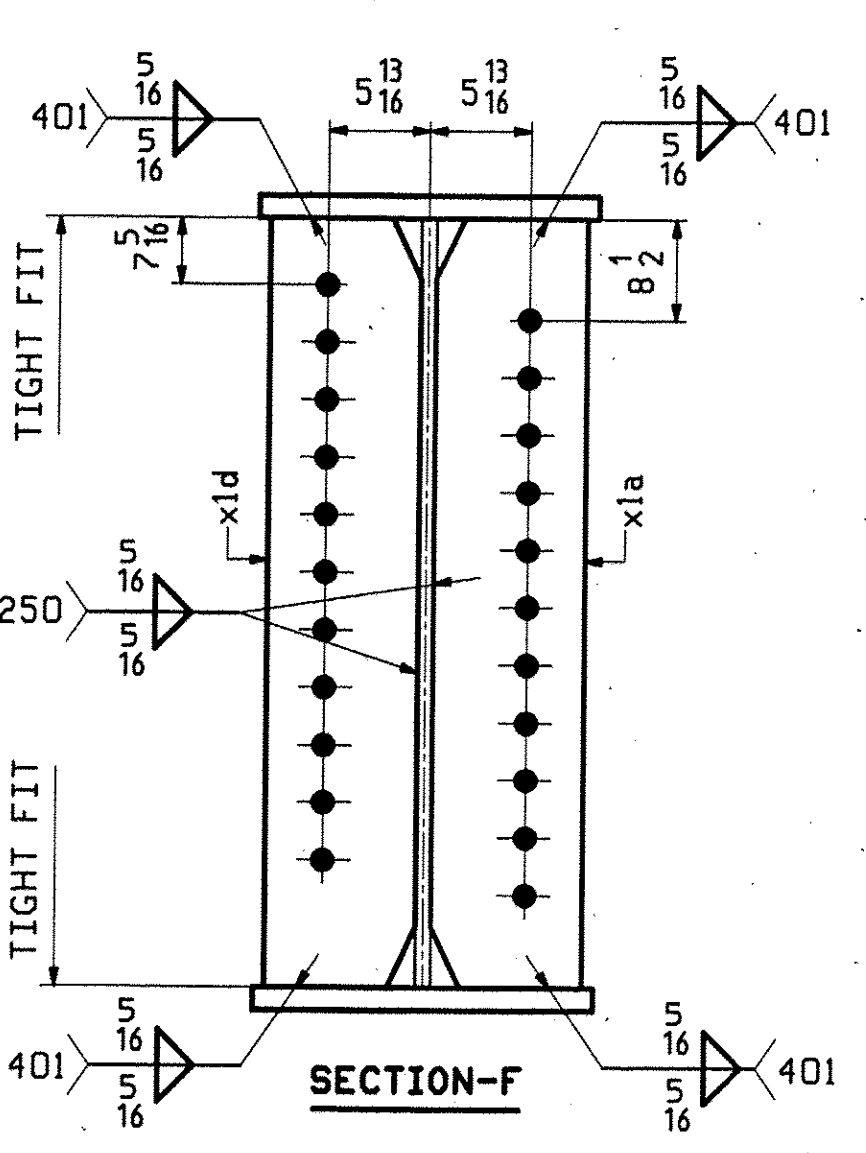
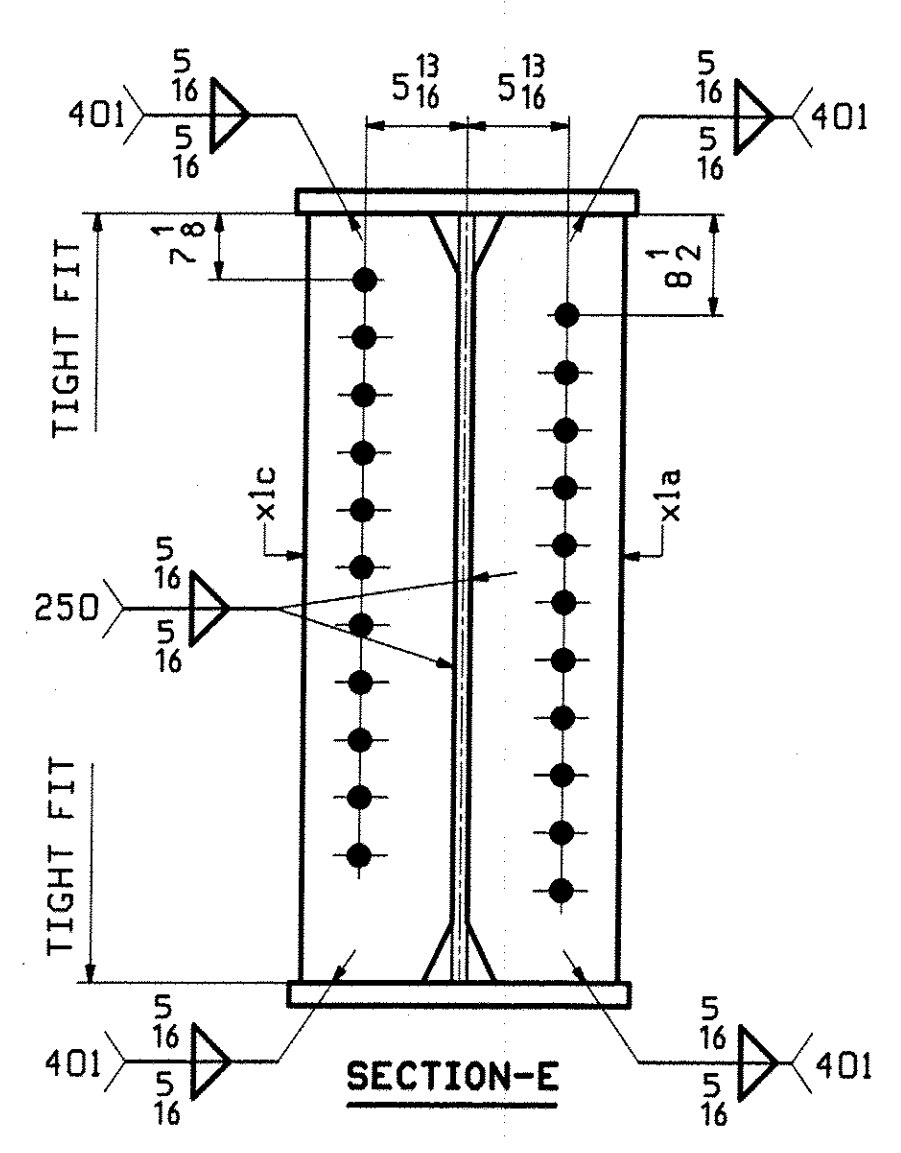
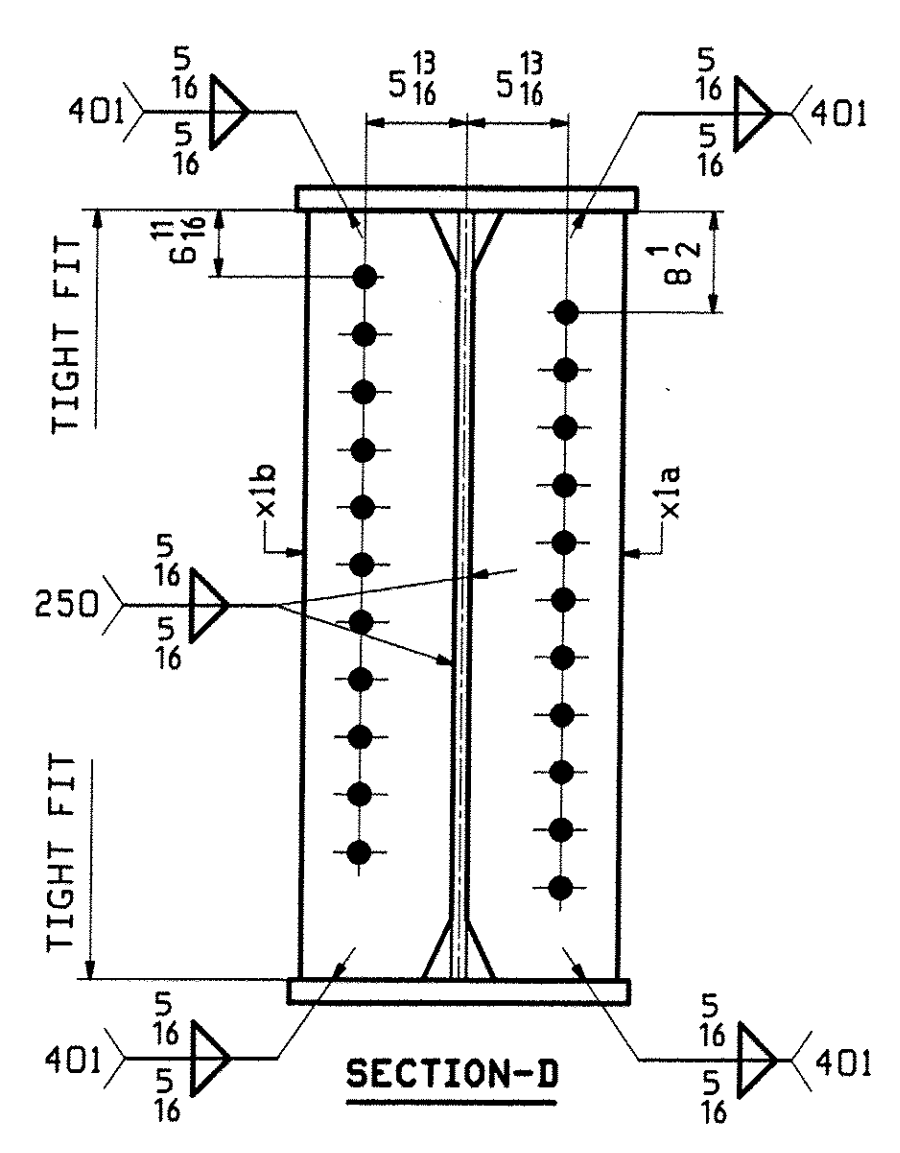
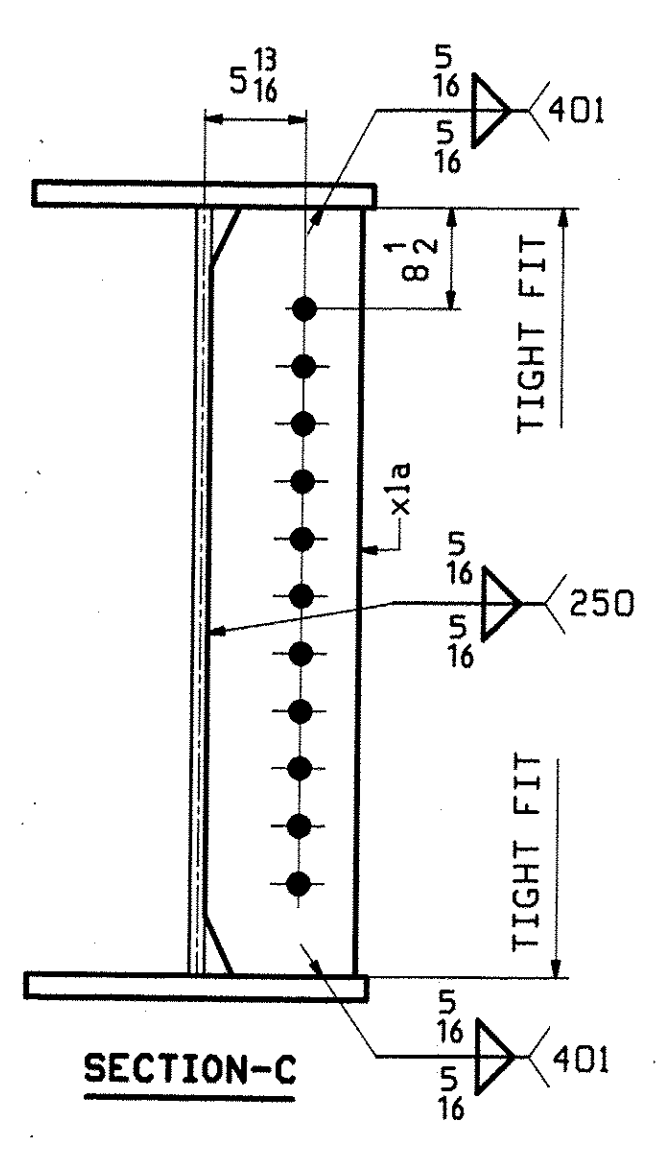
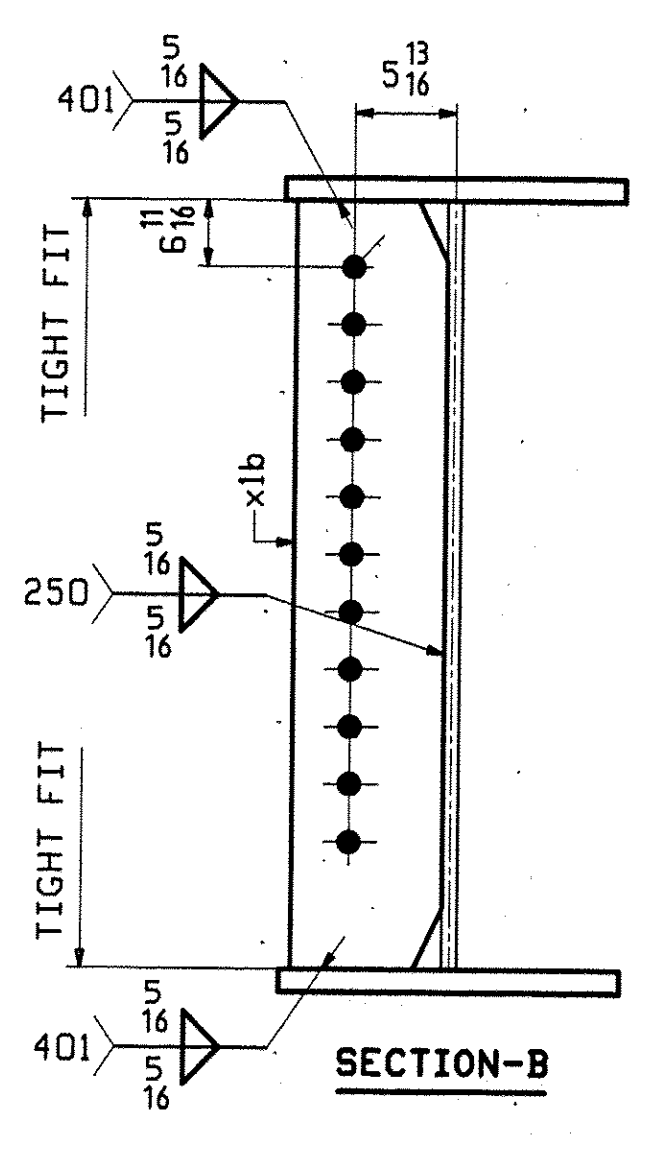
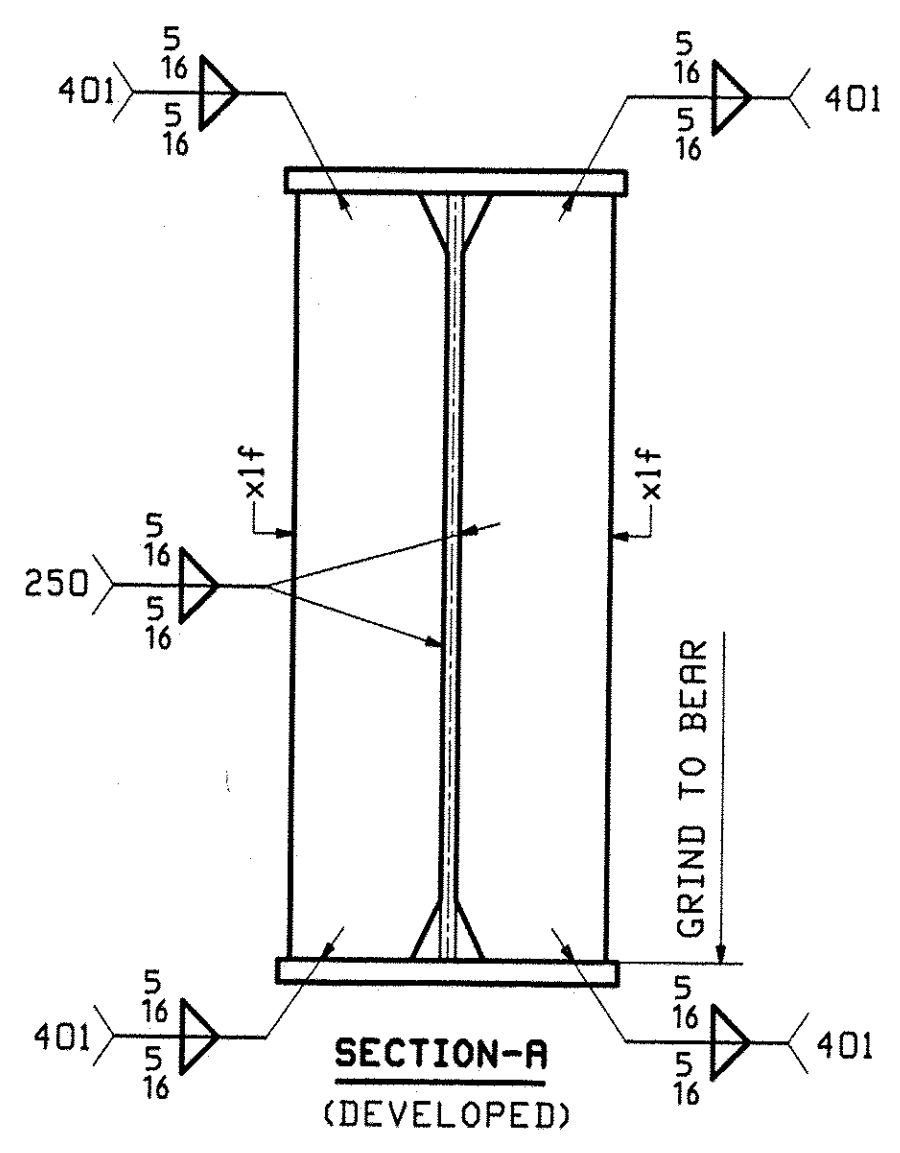
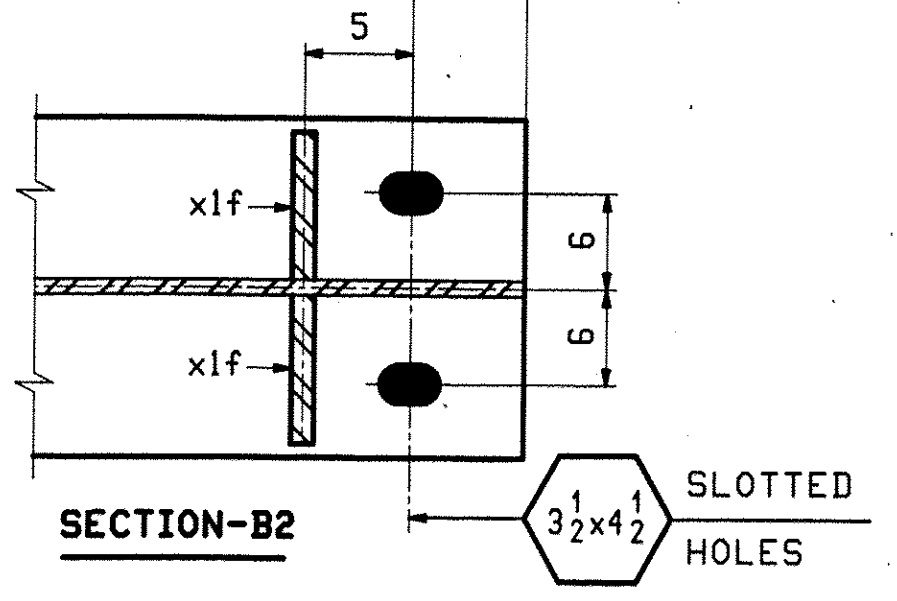
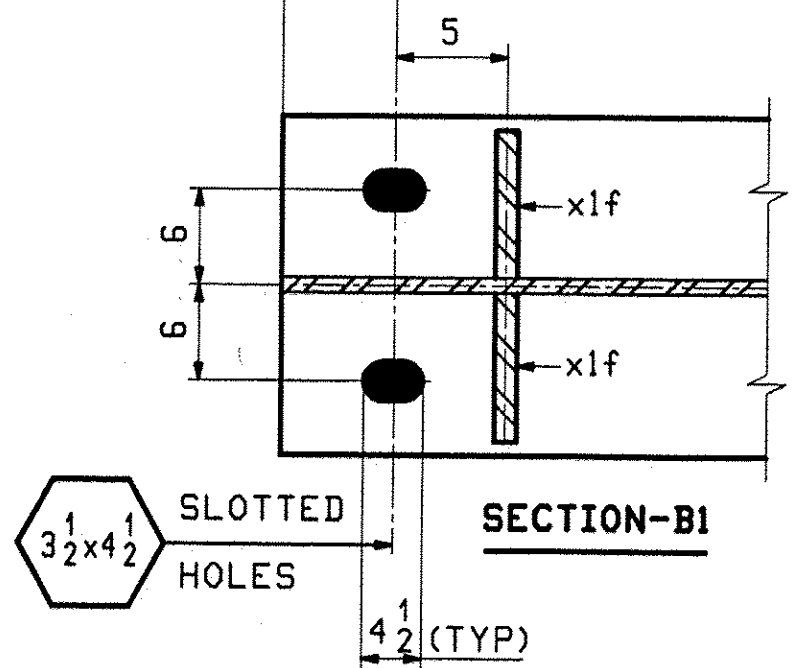


ABM INFO		BILL OF MATERIAL				JOB NO.		DRAWING NO.		REV.
PAGE	LINE	MARK	QTY	MARK	MATERIAL	LENGTH	REMARKS	WT	PROCUREMENT	NOTES
						FT				
		5G5	1		GIRDER				35768	
2	J	1	wa	PL 5/8x46	511	13/16	M270-SQWT2			
2	G	1	wb	PL 5/8x46	69	7/4	M270-SQWT2			
3	C	1	ta	PL 2x18	53	0				
2	W	1	tb	PL 2x18	67	7/8				
1	G	1	ba	PL 2 1/4x18	53	0	M270-SQWT2			
1	A	1	bb	PL 2 1/4x18	67	6 1/8	M270-SQWT2			
4	B	7	xia	PL 1/2x7 1/2	3	10	M270-SQWT2			
4	B	4	xib	PL 2x7 1/2	3	10	M270-SQWT2			
4	B	1	xic	PL 2x7 1/2	3	10	M270-SQWT2			
4	B	1	xid	PL 2x7 1/2	3	10	M270-SQWT2			
4	C	4	xif	PL 1/2x7 1/2	3	10	MIC M270-SQWT2			
4	B	1	xin	PL 2x7 1/2	3	10	M270-SQWT2			



ONE - GIRDER - 5G5 (DEV)

SEE DRAWING GNI FOR GENERAL NOTES
 SEE DRAWING F1 FOR FLANGE DIAGRAM
 SEE DRAWING C1 FOR CAMBER DIAGRAM
 SEE DNG X1 FOR GIRDER STANDARDS



REV.	DATE	REMARKS	DWN	CHK	APVL	SHOP
0						
MATERIAL:		SURFACE PREP. & PAINT:	HOLES:		SHOP BOLTS:	
M270-GR50W (U.N.)		SSPC-SP8 10	15/16" Ø (U.N.)		N/A	
DESCRIPTION: GIRDER 5G5						
CASCO BAY STEEL STRUCTURES, INC. 75 SPRING HILL ROAD SACO, MAINE 04072 PHONE (207) 282-7360 FAX. (207) 282-1179						
STRUCTURE: VT 103 over Middle Branch Williams Rv. Bridge 9 CHESTER County of Windsor				DRAWN:	DATE:	
				TG	11/19	
				CHKD:	DATE:	
				DO	12/01	
LOCATION: Town of Chester				JOB NO.	DNG NO.	
PROJ NO. BRF 025-1(37)				476	5	
CUSTOMER: Cold River Bridges					REV. Δ	

FILE NO. 3-250 0230203 PM
 11/19/19 10:50:00 AM