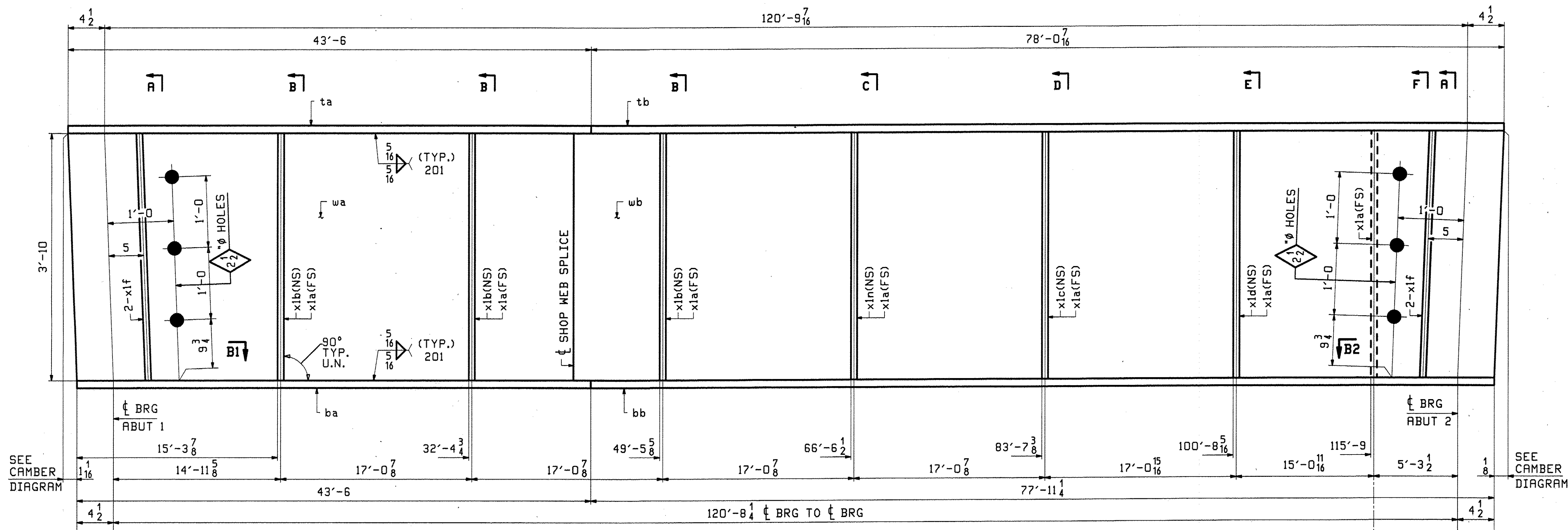
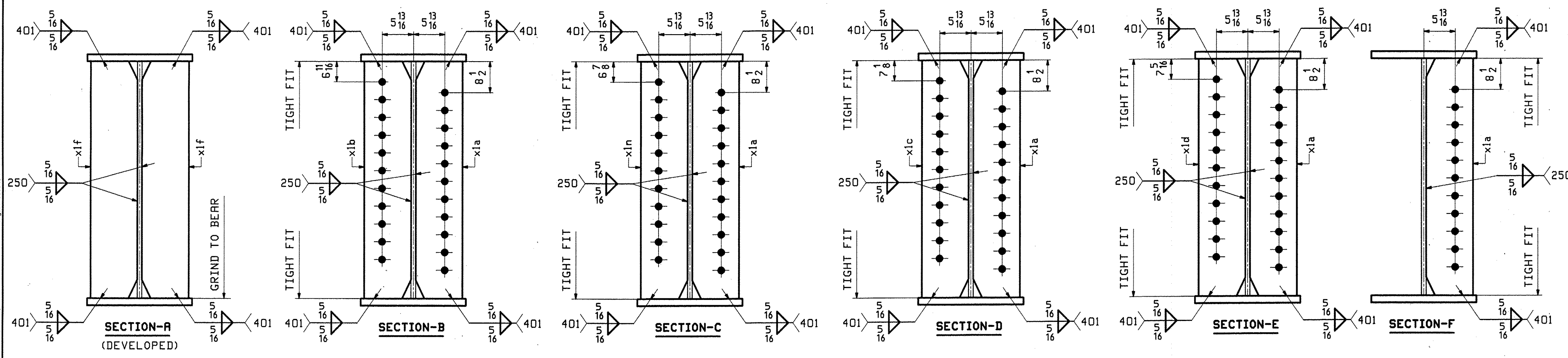
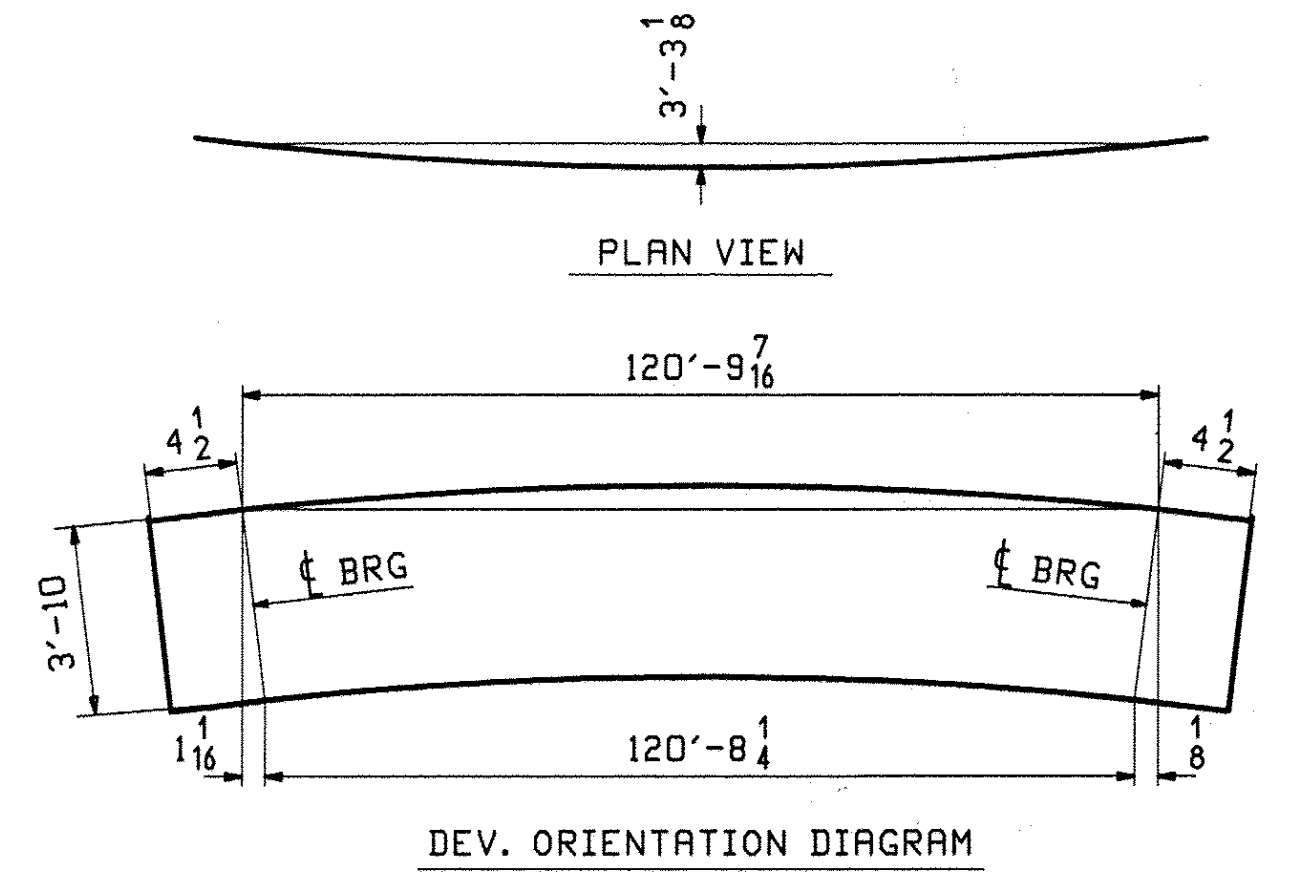
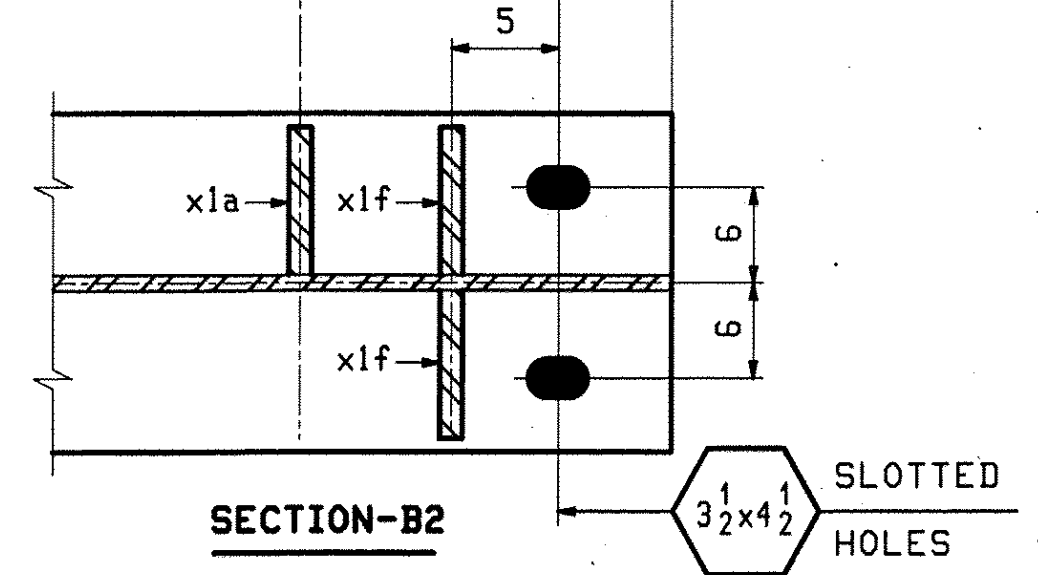
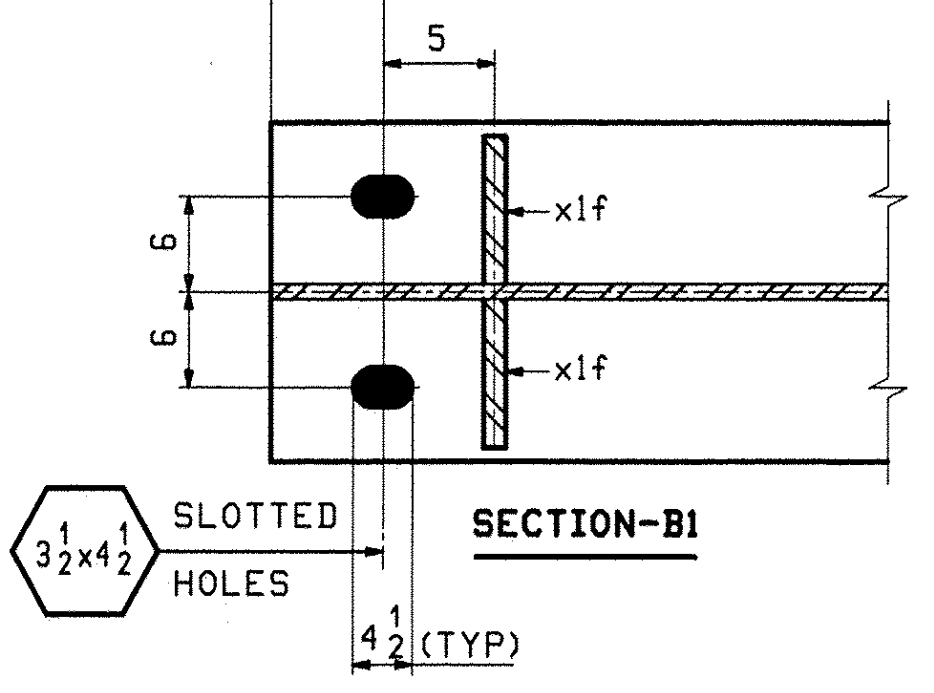


ABM INFO		SHIP	BILL OF MATERIAL				JOB NO.	DRAWING NO.	REV.
PAGE	LINE	MARK	QTY	MARK	MATERIAL	LENGTH FT INCHES	REMARKS	WT	PROCUREMENT NOTES
		2G2	1		GIRDER			28536	
2	L		1	wa	PL 5/8x46	41' 7 1/8"	M270-SQWT2		
1	W		1	wb	PL 5/8x46	79' 11 1/4"	M270-SQWT2		
3	E		1	ta	PL 7/8x18	43' 6"			
2	O		1	tb	PL 7/8x18	78' 0 1/4"			
1	S		1	ba	PL 1 1/4x18	43' 6"	M270-SQWT2		
1	L		1	bb	PL 1 1/4x18	77' 11 1/4"	M270-SQWT2		
4	B		7	x1a	PL 1/2x7 1/2	3' 10"	M270-SQWT2		
4	B		3	x1b	PL 1/2x7 1/2	3' 10"	M270-SQWT2		
4	B		1	x1c	PL 1/2x7 1/2	3' 10"	M270-SQWT2		
4	B		1	x1d	PL 1/2x7 1/2	3' 10"	M270-SQWT2		
4	C		4	x1f	PL 2x7 1/2	3' 10"	M270-SQWT2		
4	B		1	x1n	PL 1/2x7 1/2	3' 10"	M270-SQWT2		



ONE - GIRDER - 2G2 (DEV)

SEE DRAWING G01 FOR GENERAL NOTES
 SEE DRAWING F1 FOR FLANGE DIAGRAM
 SEE DRAWING C1 FOR CAMBER DIAGRAM
 SEE DWG X1 FOR GIRDER STANDARDS



REV.	DATE	REMARKS	DWN	CHK	APVL	SHOP			
0									
MATERIAL:		M270-GR50W (U.N.)	SURFACE PREP. & PAINT:		SSPC-SP8 10	HOLES:	15/16" Ø (U.N.)	SHOP BOLTS:	N/A
DESCRIPTION:		GIRDER 2G2							
STRUCTURE:		VT 103 over Middle Branch Williams Rv. Bridge 9 CHESTER County of Windsor				DRAWN:	TG	DATE:	11/19
LOCATION:		Town of Chester				CHKD:	DO	DATE:	11/30
PROJ. NO.:		BRF 025-1(37)				JOB NO.:	476		
CUSTOMER:		Cold River Bridges				DWG NO.:	2		
						REV.:	▲		

RECEIVED
 DEC 14 2010
 APPROVED As Noted
 BY CPW DATE 12/30/10