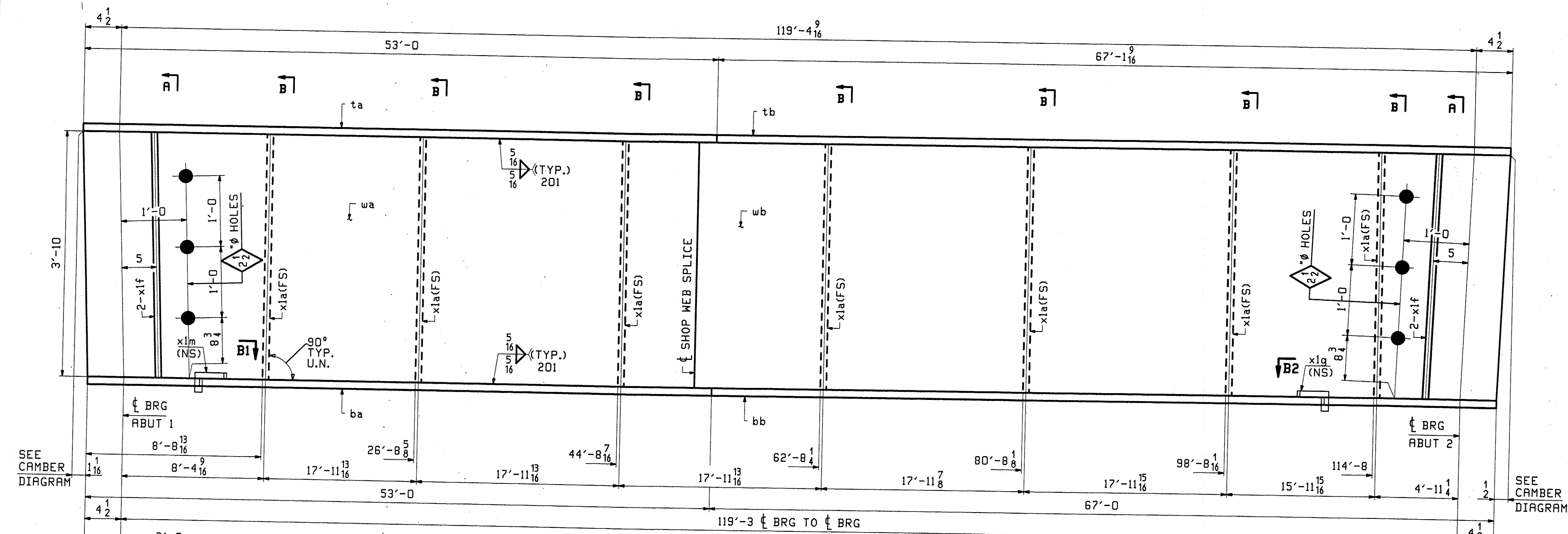
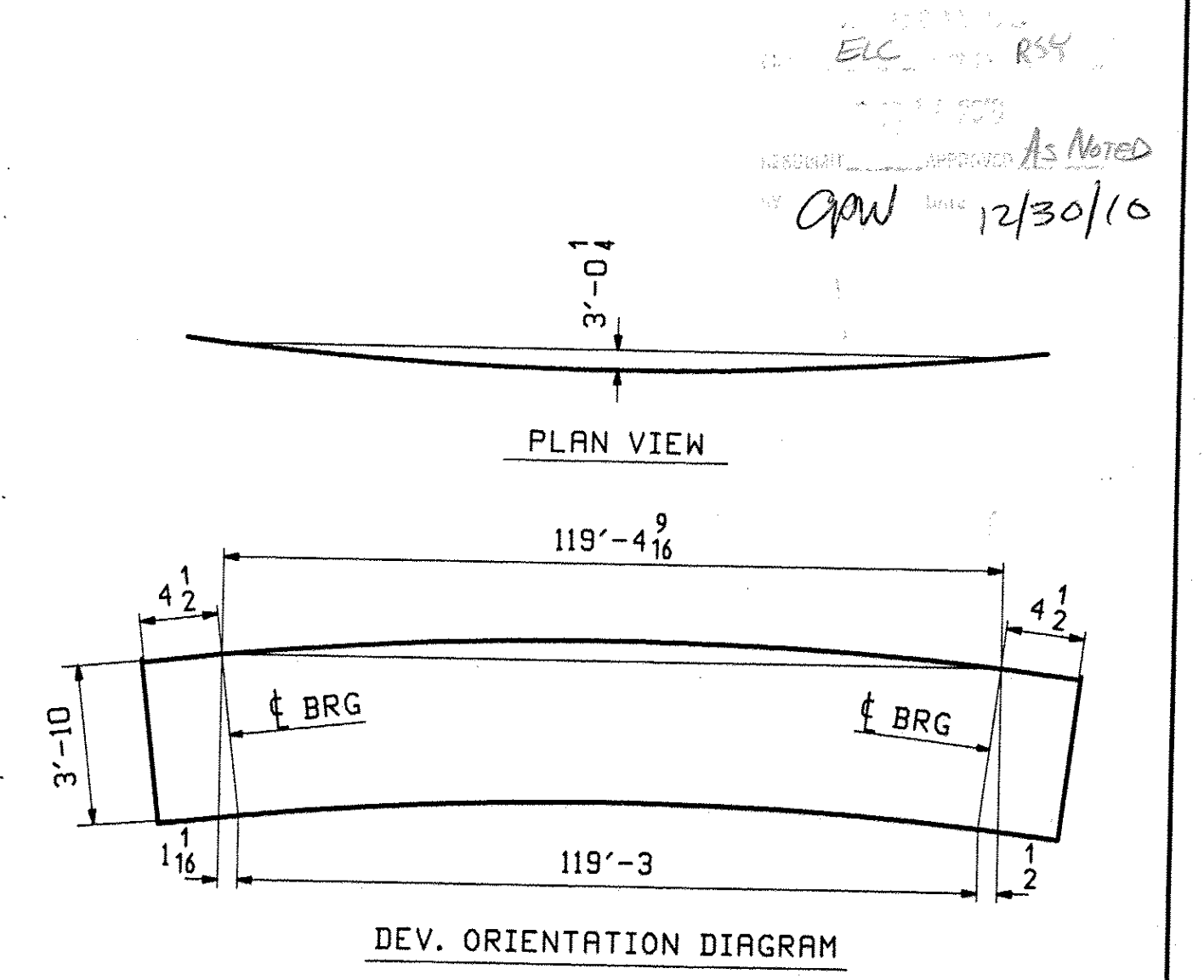
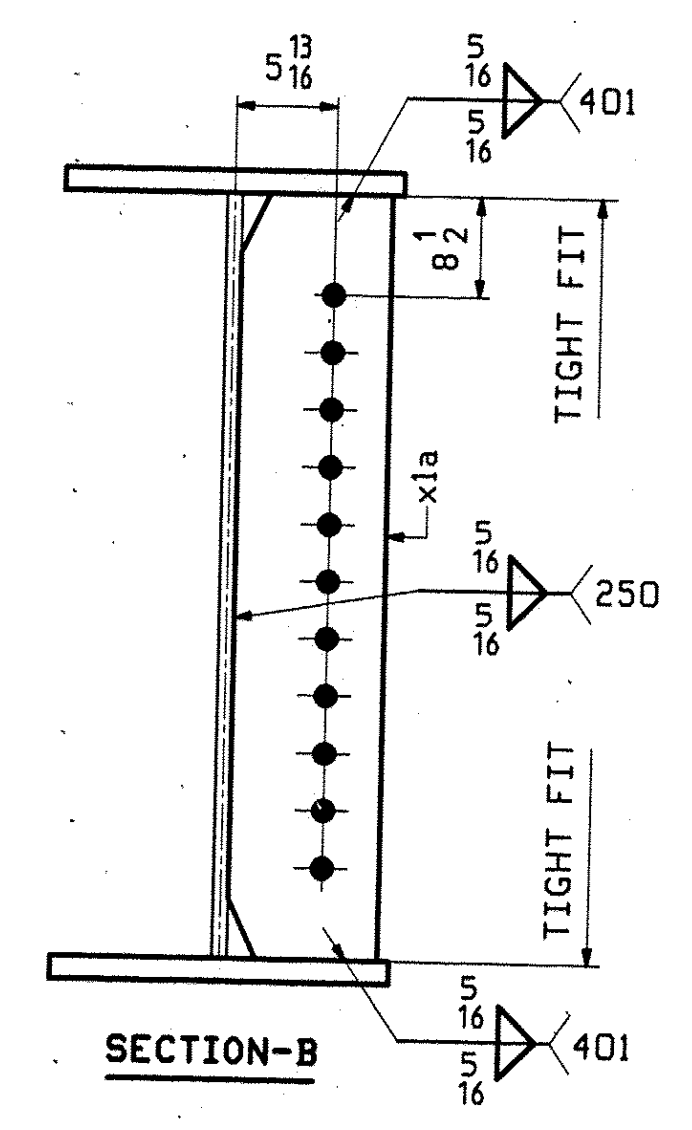
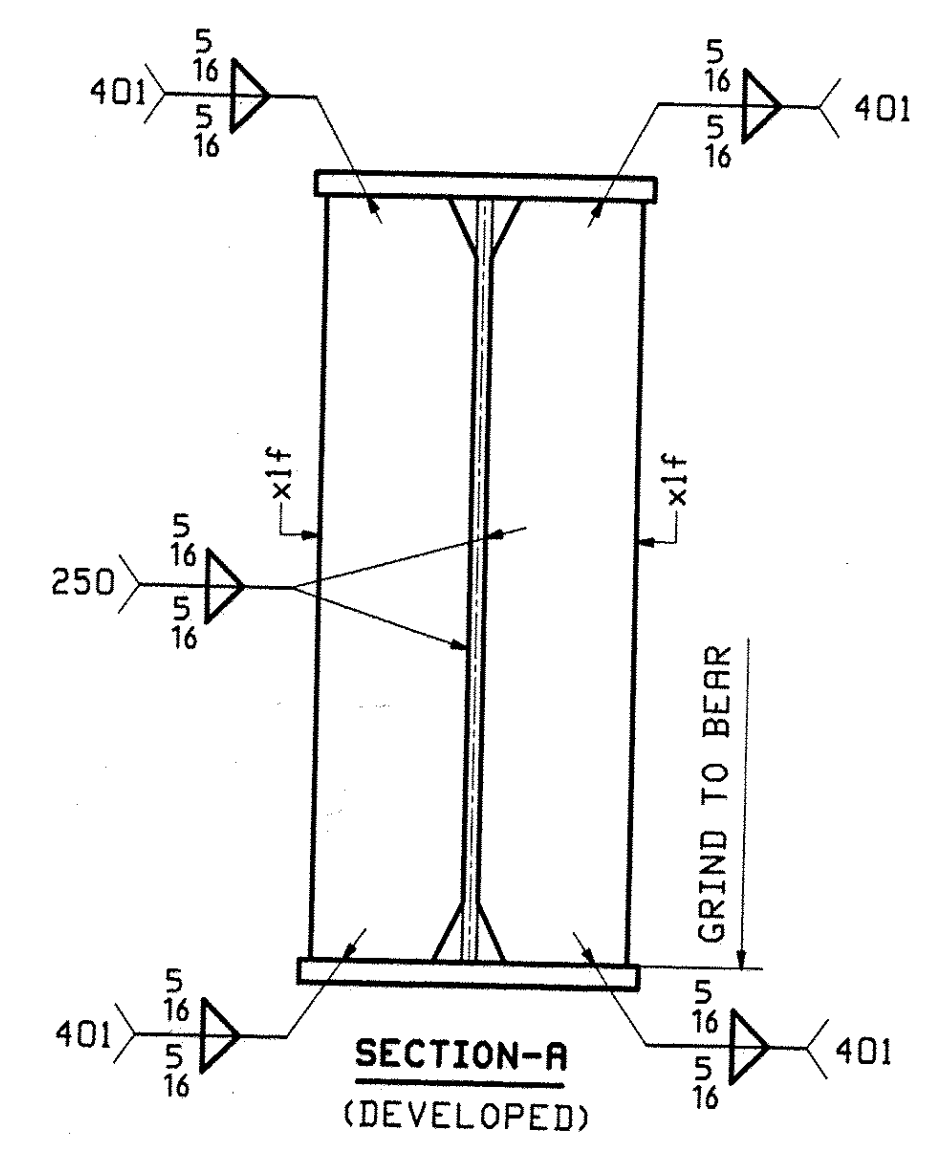
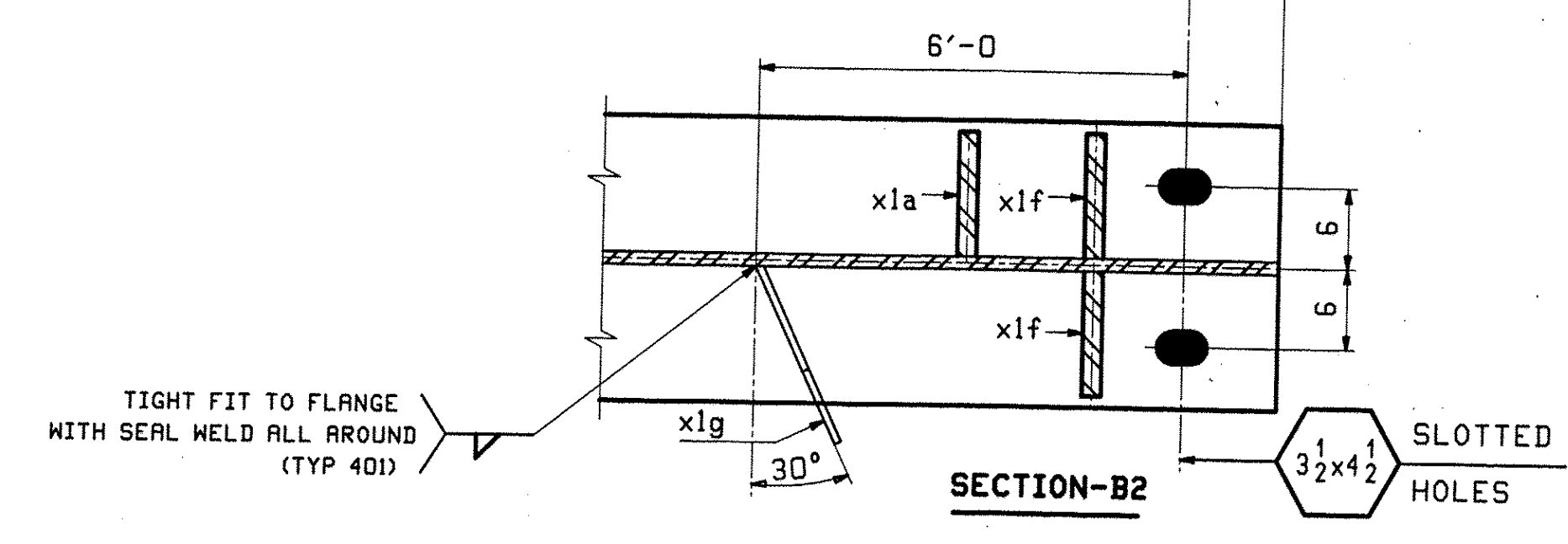
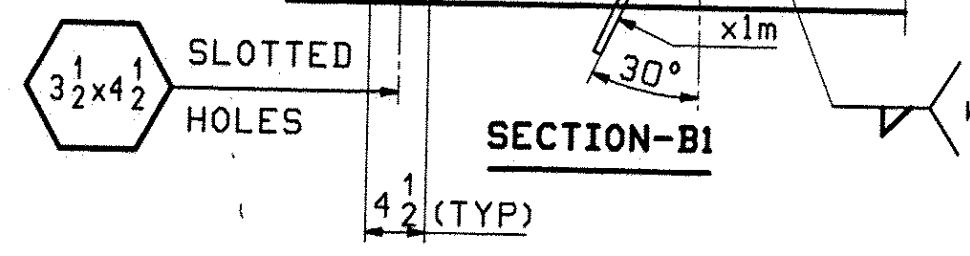


ABM INFO		SHIP		BILL OF MATERIAL		JOB NO.		DRAWING NO.		REV.
		7G7				476		7		
PAGE	LINE	MARK	QTY	MARK	MATERIAL	LENGTH	REMARKS	WT	PROCUREMENT NOTES	
						FT INCHES				
					GIRDER				3527E	
2	J		1	wa	PL 5/8 x 46	51 3/16	M270-SDMT2			
2	C		1	wb	PL 5/8 x 46	69 0 3/4	M270-SDMT2			
3	C		1	ta	PL 7/8 x 18	53 0				
3	A		1	tb	PL 7/8 x 18	67 1 1/8				
1	G		1	ba	PL 2 1/2 x 18	53 0	M270-SDMT2			
1	E		1	bb	PL 2 1/2 x 18	67 0	M270-SDMT2			
4	B		7	x1a	PL 1 1/2 x 7 1/2	3 10	M270-SDMT2			
4	C		4	x1f	PL 2 x 7 1/2	3 10	PHIE M270-SDMT2			
4	D		1	x1g	PL 1/2 x 4 1/2	1 0 1/8				
4	D		1	x1m	PL 1/2 x 4 1/2	1 0 1/8				



**ONE - GIRDER - 7G7**

SEE DRAWING GNI FOR GENERAL NOTES  
 SEE DRAWING F1 FOR FLANGE DIAGRAM  
 SEE DRAWING C1 FOR CAMBER DIAGRAM  
 SEE DWG X1 FOR GIRDER STANDARDS



REV.	DATE	REMARKS	DWN	CHK	APVL	SHOP
0						
MATERIAL:		SURFACE PREP. & PAINT:		HOLES:		SHOP BOLTS:
M270-GR50W (U.N.)		SSPC-SP8/0		5/16" Ø (U.N.)		N/A
DESCRIPTION: GIRDER 7G7						
CASCO BAY STEEL STRUCTURES, INC. 75 SPRING HILL ROAD SACO, MAINE D4072 PHONE (207) 282-7360 FAX. (207) 282-1179						
STRUCTURE: VT 103 over Middle Branch Williams Rv. Bridge 9 CHESTER County of Windsor			DRANN:	DATE:		
			TG	11/19		
			CHKD:	DATE:		
			DO	12/01		
LOCATION: Town of Chester			JOB NO.	DWG NO.		
PROJ NO. BRF 025-1(37)			476	7		
CUSTOMER: Cold River Bridges						

PLO, Dec 3, 2000 02:52:24 PM /spp/brf/025-1(37) 1 Rev 0