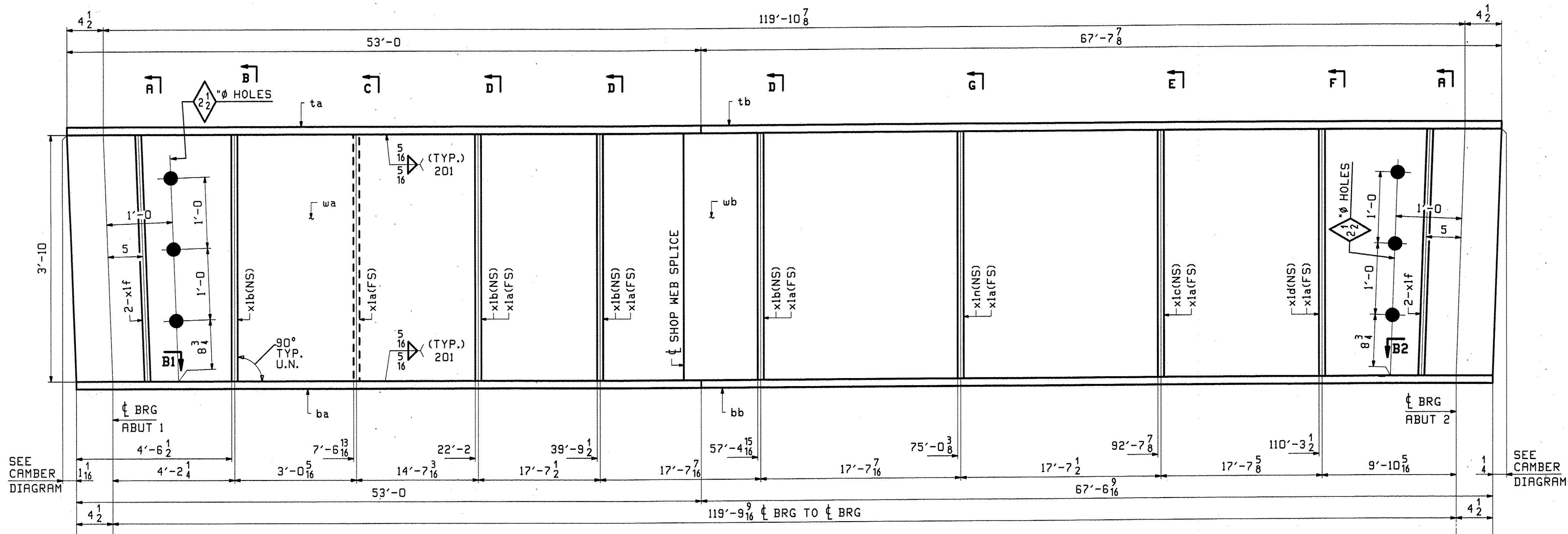
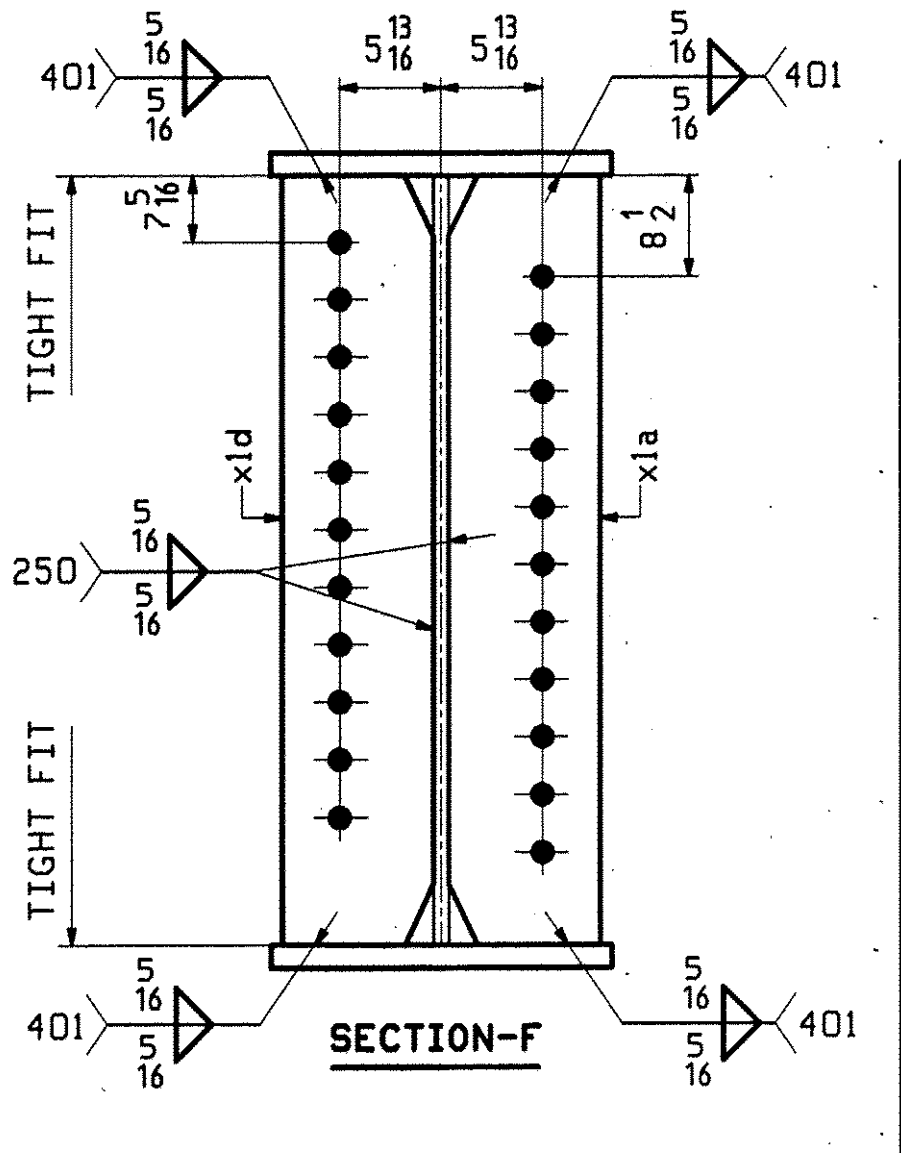
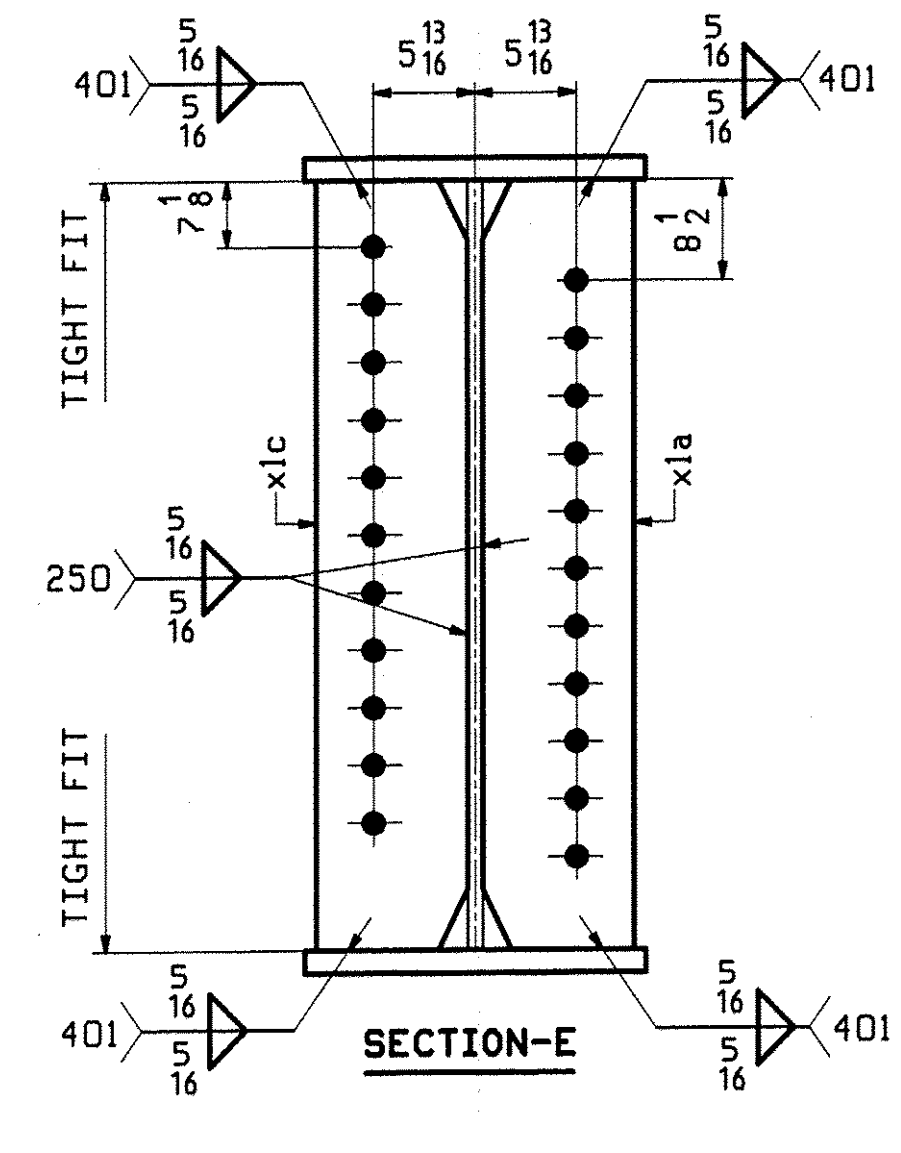
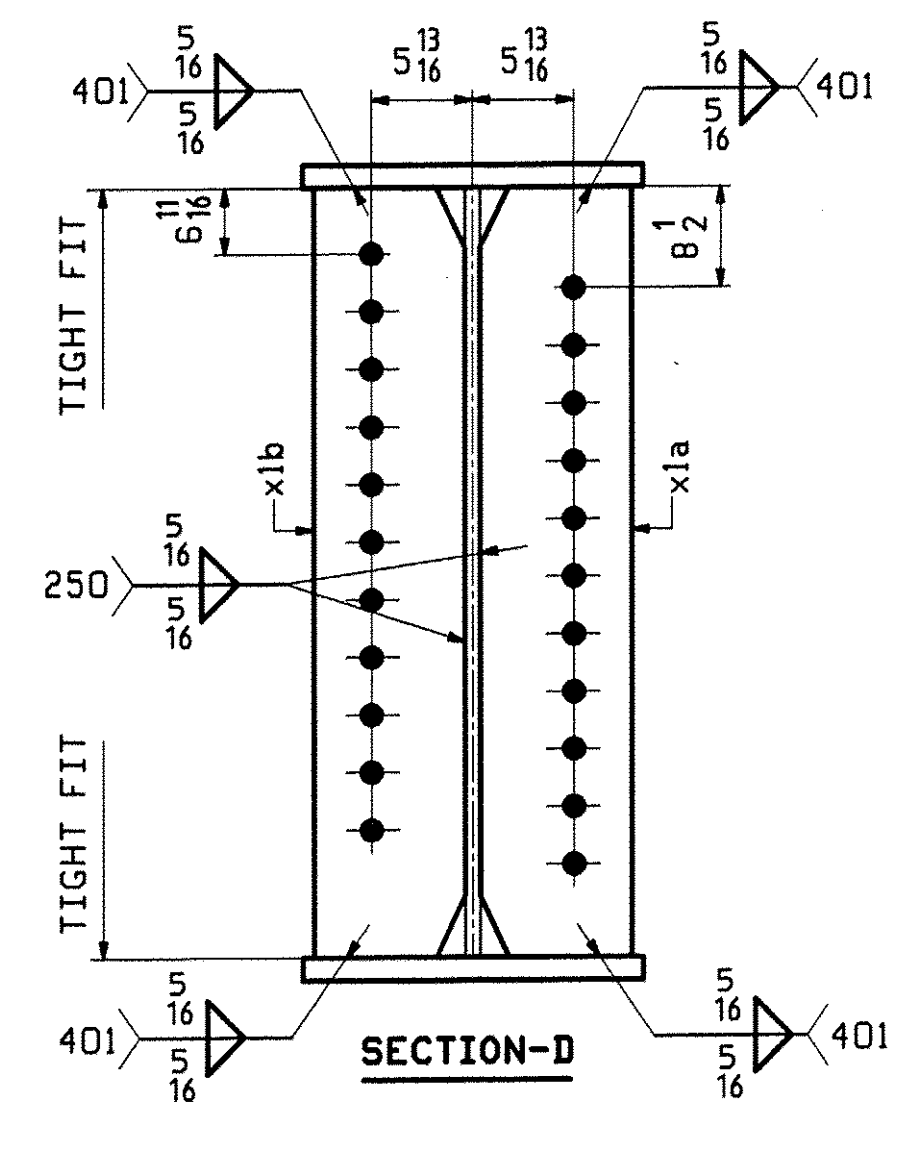
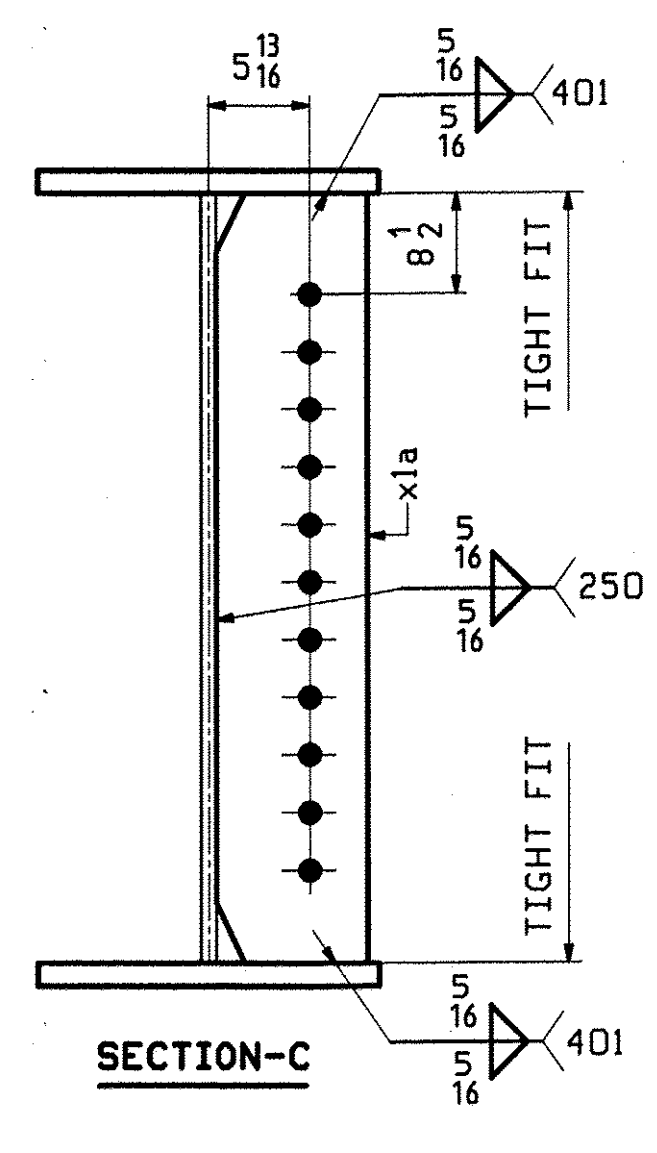
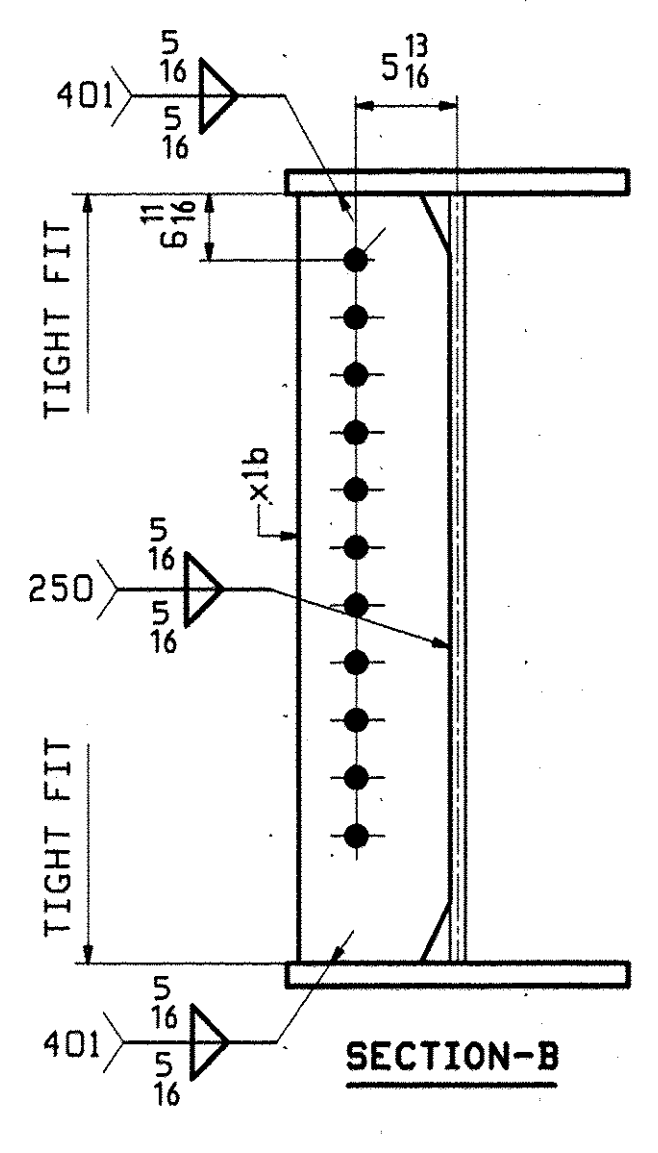
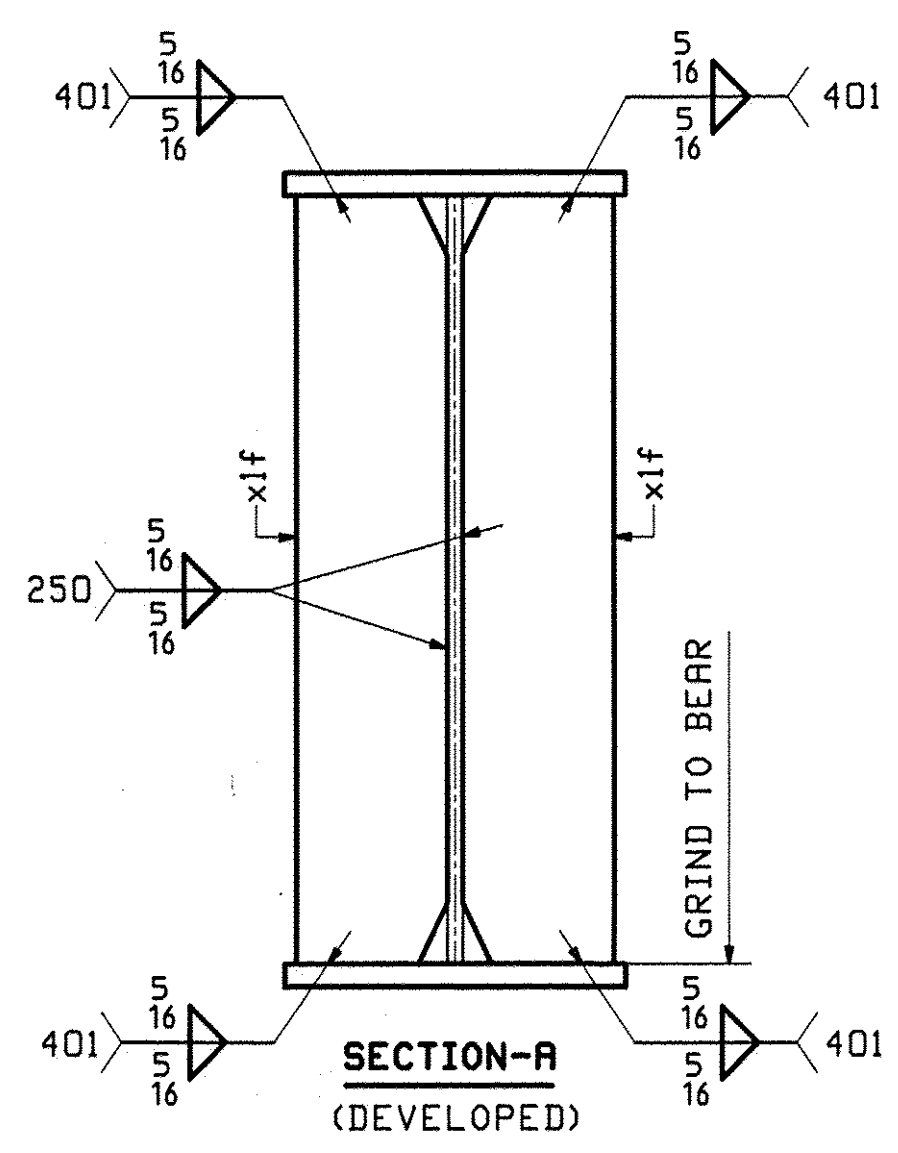
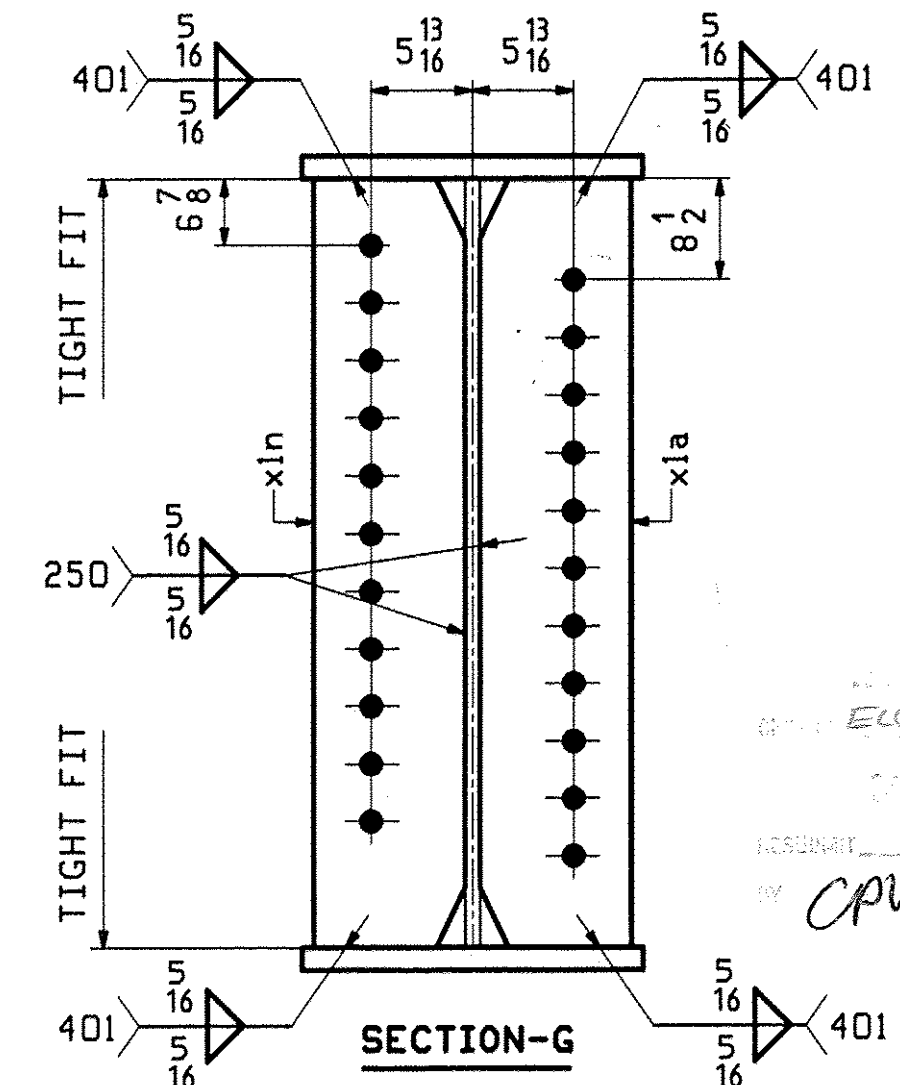
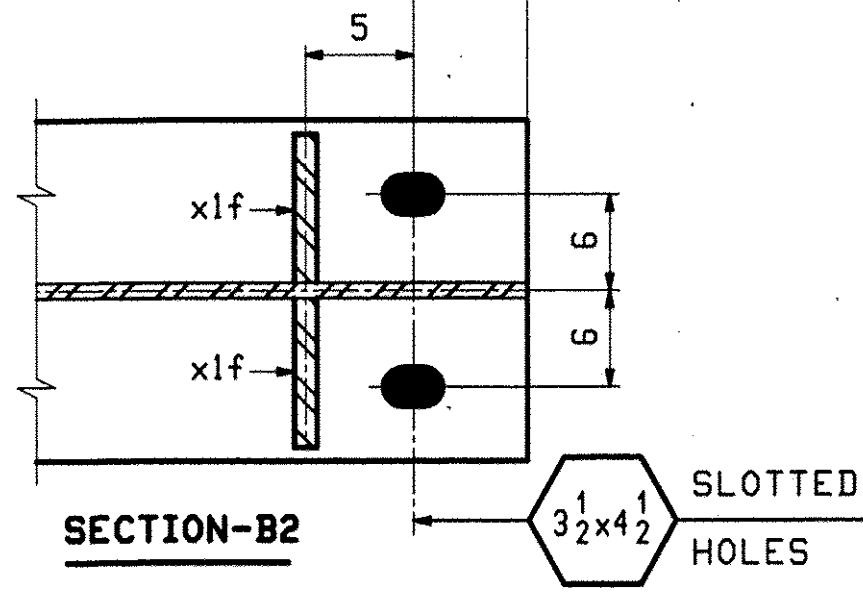
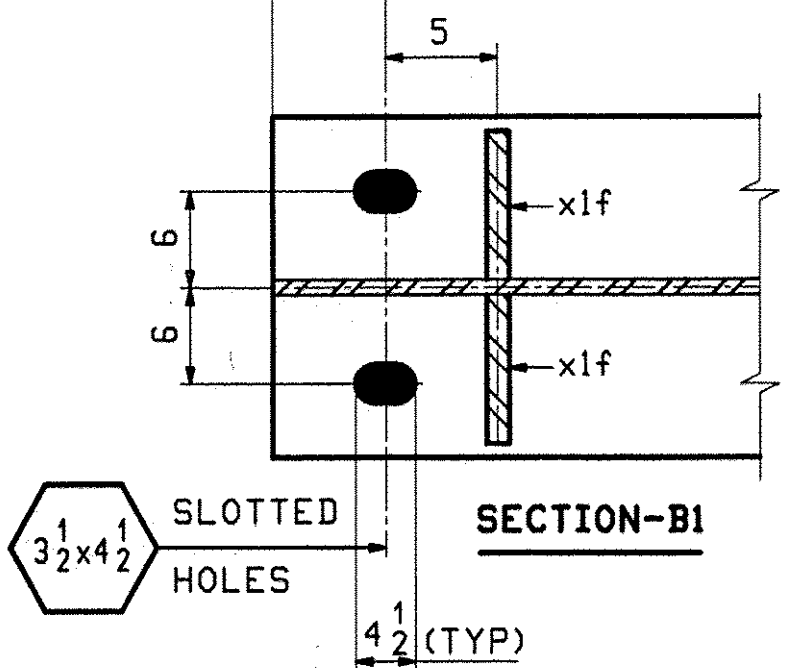
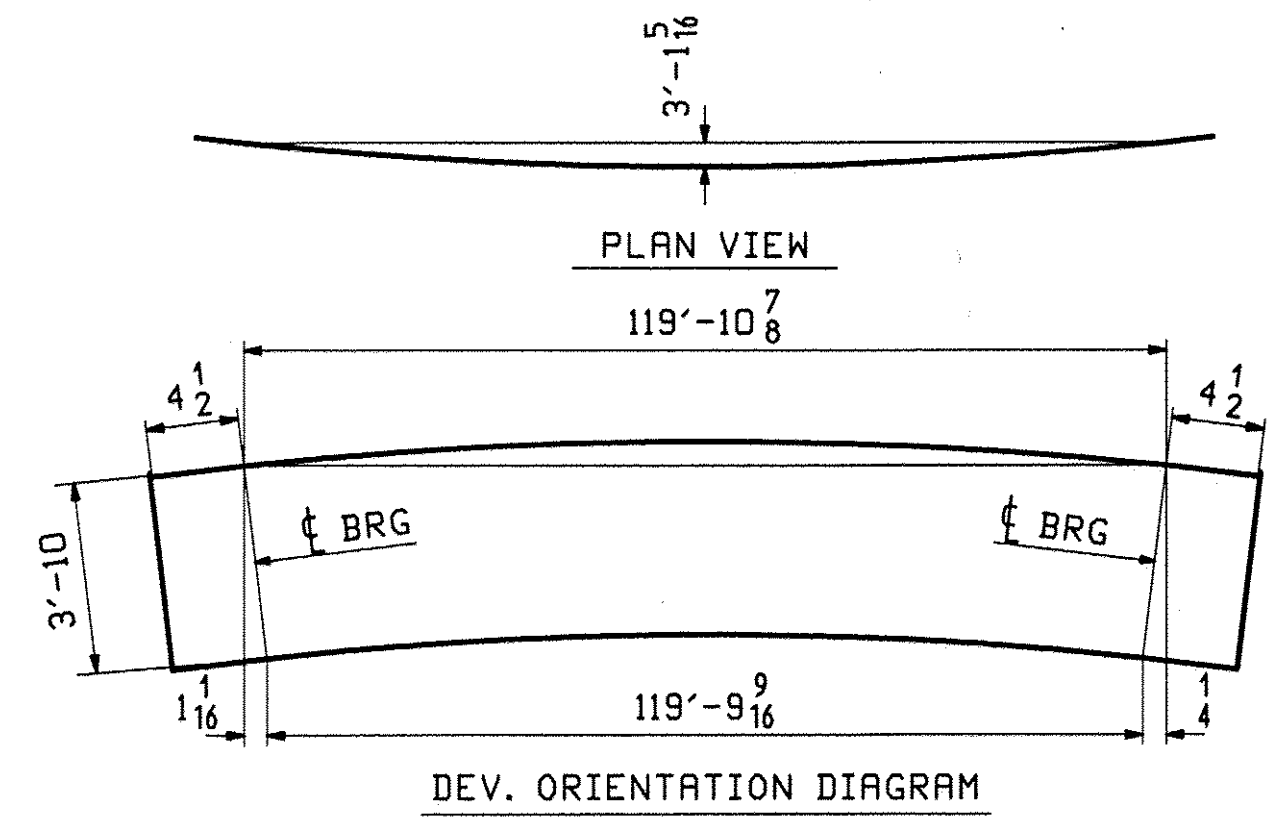


ABM INFO		SHIP		BILL OF MATERIAL				JOB NO.	DRAWING NO.	REV.
		5G5						476	5	
PAGE	LINE	MARK	QTY	MARK	MATERIAL	LENGTH FT INCHES	REMARKS	WT	PROCUREMENT NOTES	
			1		GIRDER			35756		
2	J		1	wa	PL 5/8 x 46	51 3/16	M270-SQNT2			
2	G		1	wb	PL 5/8 x 46	69 7/8	M270-SQNT2			
3	C		1	ta	PL 7/8 x 18	53 0				
2	W		1	tb	PL 7/8 x 18	67 7/8				
1	G		1	ba	PL 2 1/4 x 18	53 0	M270-SQNT2			
1	A		1	bb	PL 2 1/4 x 18	67 5/16	M270-SQNT2			
4	B		7	x1a	PL 1/2 x 7 1/2	3 10	M270-SQNT2			
4	B		4	x1b	PL 1/2 x 7 1/2	3 10	M270-SQNT2			
4	B		1	x1c	PL 1/2 x 7 1/2	3 10	M270-SQNT2			
4	B		1	x1d	PL 1/2 x 7 1/2	3 10	M270-SQNT2			
4	C		4	x1f	PL 2 x 7 1/2	3 10	M270-SQNT2			
4	B		1	x1n	PL 1/2 x 7 1/2	3 10	M270-SQNT2			



ONE - GIRDER - 5G5 (DEV)

SEE DRAWING GNI FOR GENERAL NOTES
 SEE DRAWING F1 FOR FLANGE DIAGRAM
 SEE DRAWING C1 FOR CAMBER DIAGRAM
 SEE DWG X1 FOR GIRDER STANDARDS



REV.	DATE	REMARKS	DWN	CHK	APVL	SHOP
0						
MATERIAL:		SURFACE PREP. & PAINT:		HOLES:		SHOP BOLTS:
M270-GR50W (U.N)		SSPC-SP6/10		15 1/16" Ø (U.N)		N/A
DESCRIPTION: GIRDER 5G5						
CASCO BAY STEEL STRUCTURES, INC.						
75 SPRING HILL ROAD			SACO, MAINE 04072			
PHONE (207) 282-7360			FAX (207) 282-1179			
STRUCTURE: VT 103 over Middle Branch Williams Rv.			DRAWN: TG		DATE: 11/19	
Bridge 9			CHKD: DO		DATE: 12/01	
CHESTER						
County of Windsor						
LOCATION: Town of Chester			JOB NO. 476		DWG NO. 5	
PROJ NO. BRF 025-1(37)						
CUSTOMER: Cold River Bridges					REV. 5	

BR 11/19/01 3:20:00 PM 11/19/01 3:20:00 PM 11/19/01 3:20:00 PM