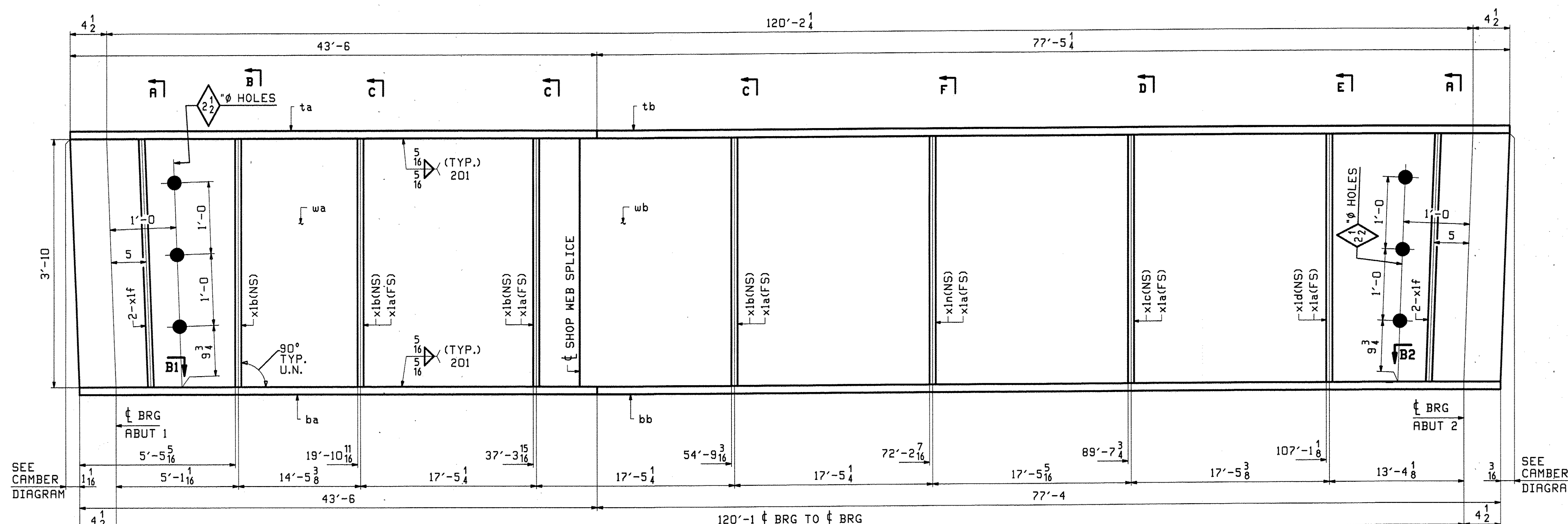
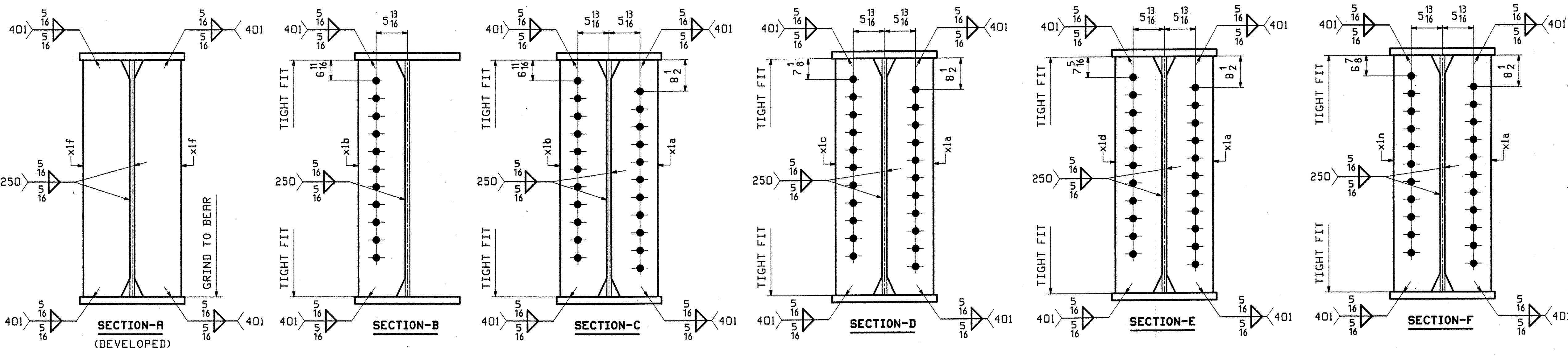
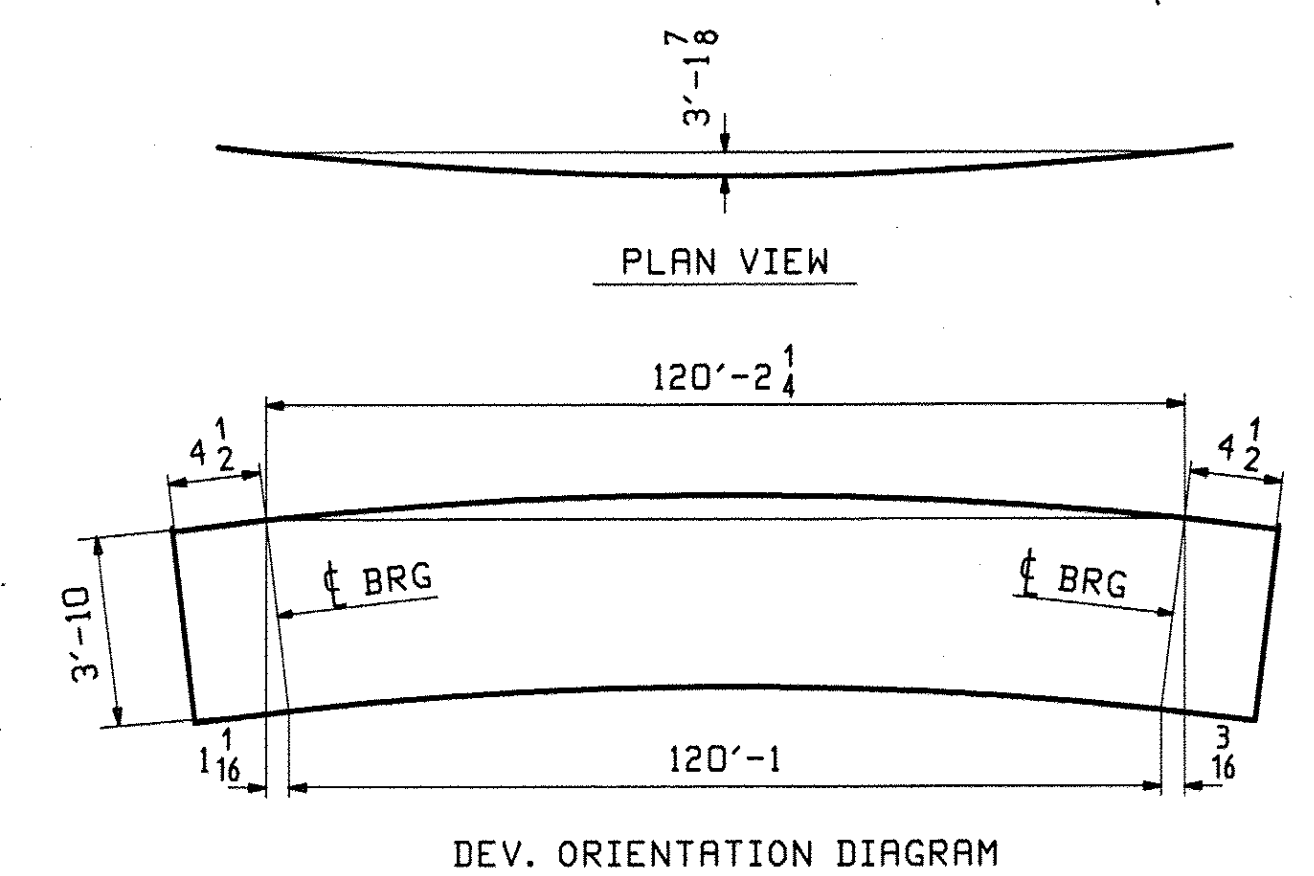
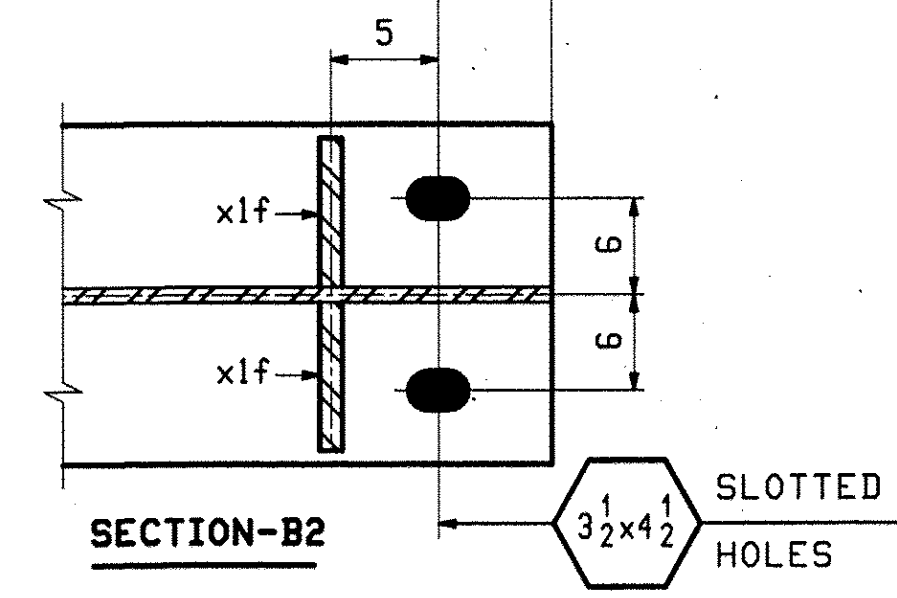
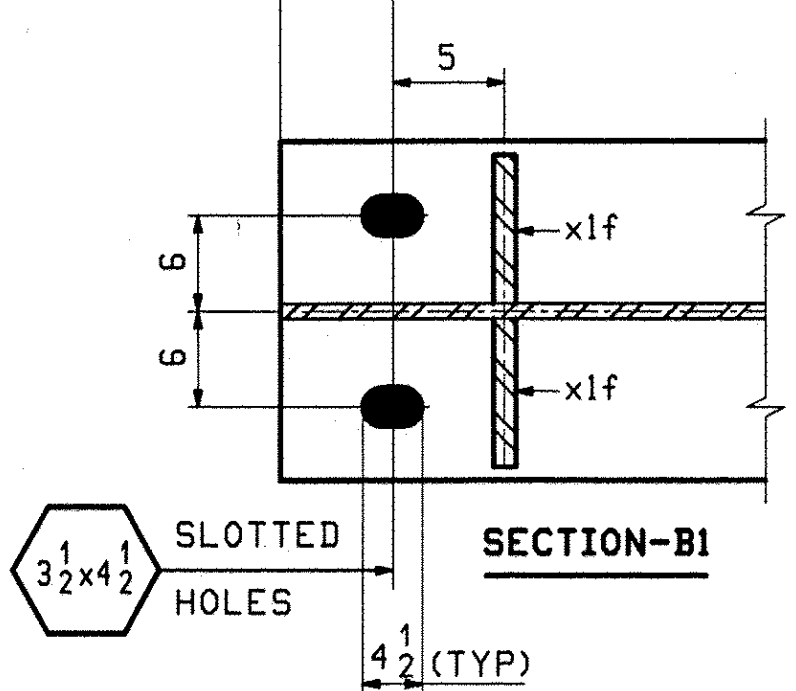


ABH INFO		BILL OF MATERIAL				JOB NO.		DRAWING NO.		REV.
PAGE	LINE	MARK	QTY	MARK	MATERIAL	LENGTH	REMARKS	WT	PROCUREMENT	NOTES
						FT				
		4G4	1		GIRDER				28395	
2	L		1	wa	PL 5/8 x 46	41 7/16	M270-SQWT2			
2	A		1	wb	PL 5/8 x 46	79 4 1/2	M270-SQWT2			
3	E		1	ta	PL 7/8 x 18	43 6				
2	U		1	tb	PL 7/8 x 18	77 5 1/4				
1	S		1	ba	PL 1 1/4 x 18	43 6	M270-SQWT2			
1	Q		1	bb	PL 1 1/4 x 18	77 4	M270-SQWT2			
4	B		6	x1a	PL 1/2 x 7 1/2	3 10	M270-SQWT2			
4	B		4	x1b	PL 2 x 7 1/2	3 10	M270-SQWT2			
4	B		1	x1c	PL 1/2 x 7 1/2	3 10	M270-SQWT2			
4	B		1	x1d	PL 2 x 7 1/2	3 10	M270-SQWT2			
4	C		4	x1f	PL 2 x 7 1/2	3 10	M1E3 M270-SQWT2			
4	B		1	x1n	PL 2 x 7 1/2	3 10	M270-SQWT2			



ONE - GIRDER - 4G4 (DEV)

SEE DRAWING GNI FOR GENERAL NOTES
 SEE DRAWING F1 FOR FLANGE DIAGRAM
 SEE DRAWING C1 FOR CAMBER DIAGRAM
 SEE DWG X1 FOR GIRDER STANDARDS



REV.	DATE	REMARKS	DWN	CHK	APVL	SHOP
0						
MATERIAL:		SURFACE PREP. & PAINT:	HOLES:		SHOP BOLTS:	
M270-GR50W (U.N)		SSPC-SP6	15/16" Ø (U.N)		N/A	
DESCRIPTION: GIRDER 4G4						
CASCO BAY STEEL STRUCTURES, INC.						
75 SPRING HILL ROAD			SACO, MAINE 04072			
PHONE (207) 282-7360			FAX. (207) 282-1179			
STRUCTURE: VT 103 over Middle Branch Williams Rv.				DRAWN: TG		DATE: 11/19
Bridge 9				CHKD: DO		DATE: 12/01
CHESTER				JOB NO. 476		DWG NO. 4
County of Windsor				CUSTOMER: Cold River Bridges		REV. 4
LOCATION: Town of Chester				JOB NO. 476		DWG NO. 4
PROJ NO. BRF 025-1(37)				CUSTOMER: Cold River Bridges		REV. 4

ELC RSY
 APPROVED AS NOTED
 OPW 12/30/10