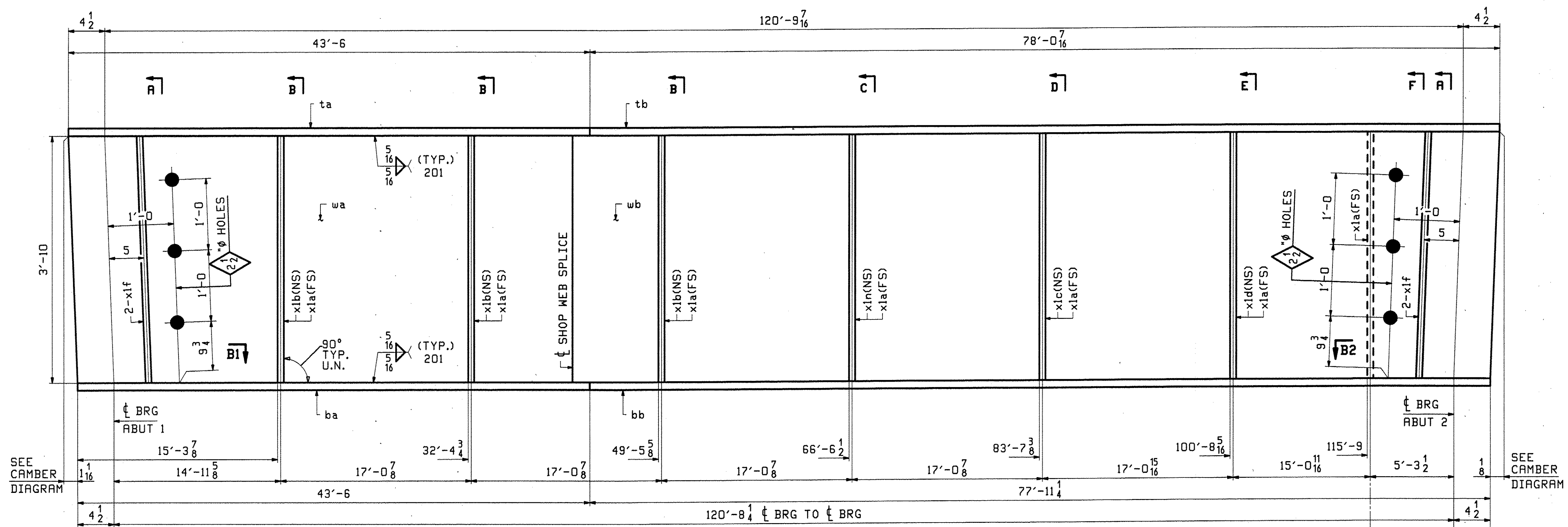
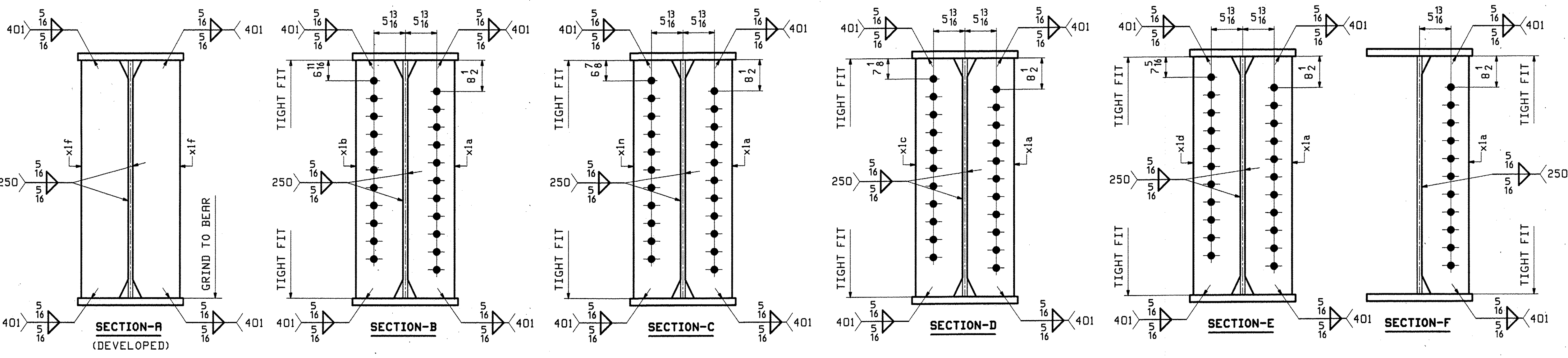
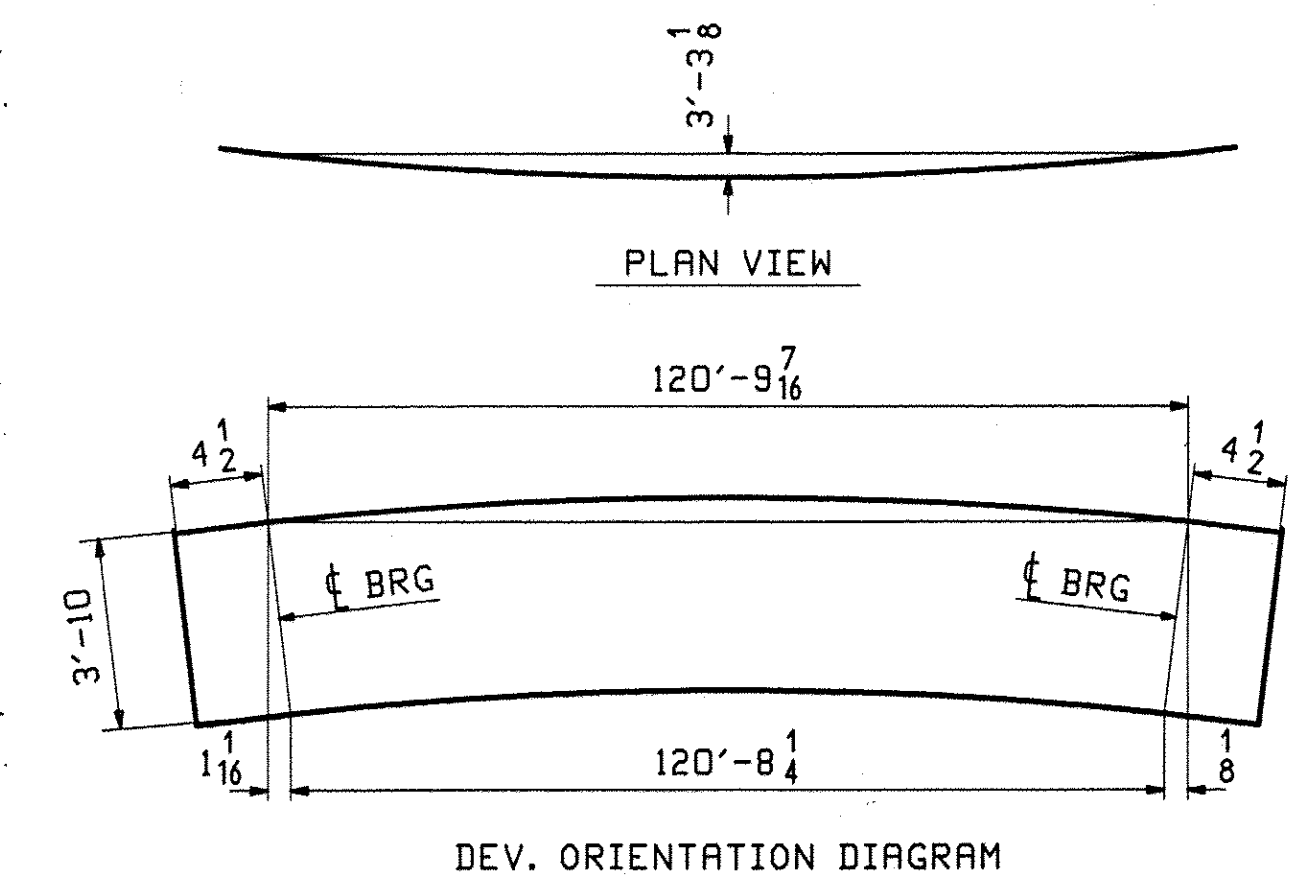
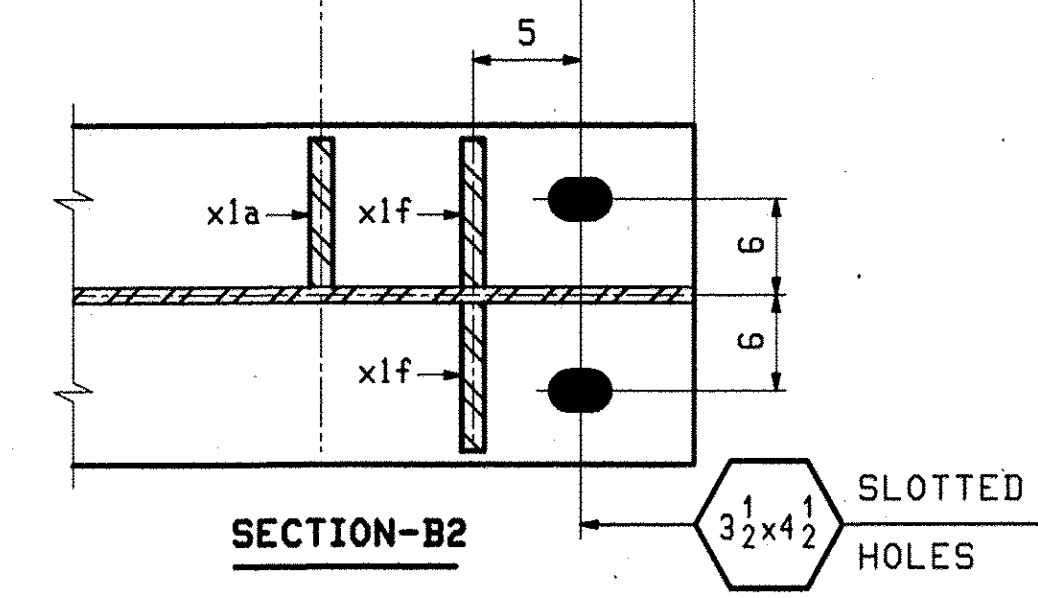
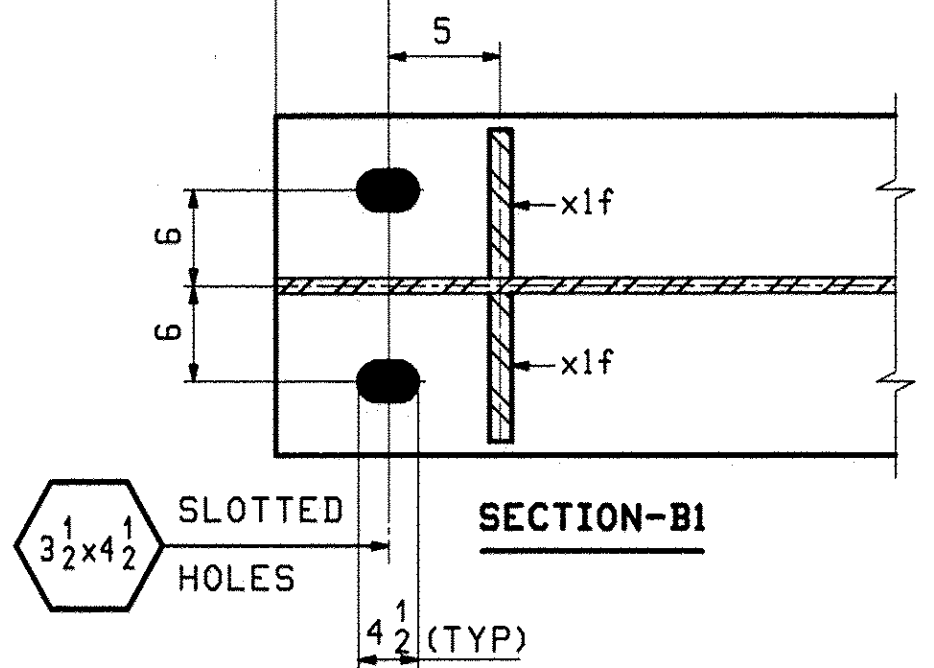


ABM INFO		BILL OF MATERIAL				JOB NO.		DRAWING NO.		REV.
PAGE	LINE	MARK	QTY	MARK	MATERIAL	LENGTH		REMARKS	WT	PROCUREMENT NOTES
						FT	INCHES			
		2G2	1		GIRDER				28538	
2	L		1	wa	PL 5/8x46	41	7 1/8	M270-SQHT2		
1	H		1	wb	PL 5/8x46	79	11 3/4	M270-SQHT2		
3	E		1	ta	PL 7/8x18	43	6			
2	O		1	tb	PL 7/8x18	78	0 7/16			
1	S		1	ba	PL 1 1/4x18	43	6	M270-SQHT2		
1	L		1	bb	PL 1 1/4x18	77	11 1/4	M270-SQHT2		
4	B		7	x1a	PL 1/2x7 1/2	3	10	M270-SQHT2		
4	B		3	x1b	PL 1/2x7 1/2	3	10	M270-SQHT2		
4	B		1	x1c	PL 1/2x7 1/2	3	10	M270-SQHT2		
4	B		1	x1d	PL 1/2x7 1/2	3	10	M270-SQHT2		
4	C		4	x1f	PL 1/2x7 1/2	3	10	M270-SQHT2		
4	B		1	x1n	PL 1/2x7 1/2	3	10	M270-SQHT2		



ONE - GIRDER - 2G2 (DEV)

SEE DRAWING GNI FOR GENERAL NOTES
 SEE DRAWING F1 FOR FLANGE DIAGRAM
 SEE DRAWING C1 FOR CAMBER DIAGRAM
 SEE DWG X1 FOR GIRDER STANDARDS



REV.	DATE	REMARKS	DWN	CHK	APVL	SHOP
0						
MATERIAL:		SURFACE PREP. & PAINT:		HOLES:		SHOP BOLTS:
M270-GR50W (U.N)		SSPC-SP8/0		15/16" Ø (U.N)		N/A
DESCRIPTION: GIRDER 2G2						
CASCO BAY STEEL STRUCTURES, INC.						
75 SPRING HILL ROAD			SACO, MAINE 04072			
PHONE (207) 282-7360			FAX. (207) 282-1179			
STRUCTURE: VT 103 over Middle Branch Williams Rv.				DRAWN: TG		DATE: 11/19
Bridge 9				CHKD: DO		DATE: 11/30
CHESTER						
County of Windsor						
LOCATION: Town of Chester				JOB NO. 476		DWG NO. 2
PROJ NO. BRF 025-1(37)						
CUSTOMER: Cold River Bridges						REV. 1

APPROVED AS NOTED
 BY Cpw DATE 12/30/10