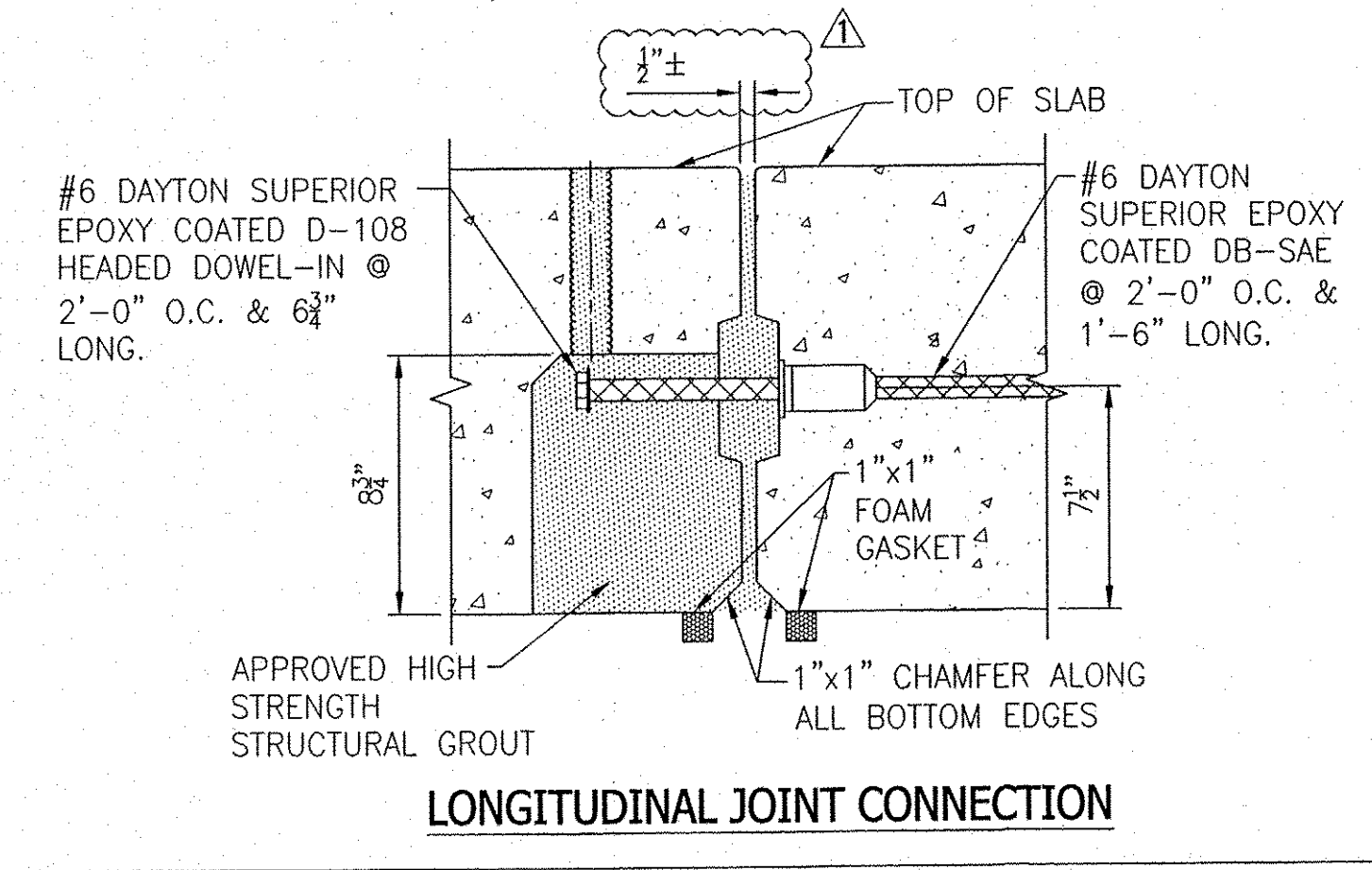
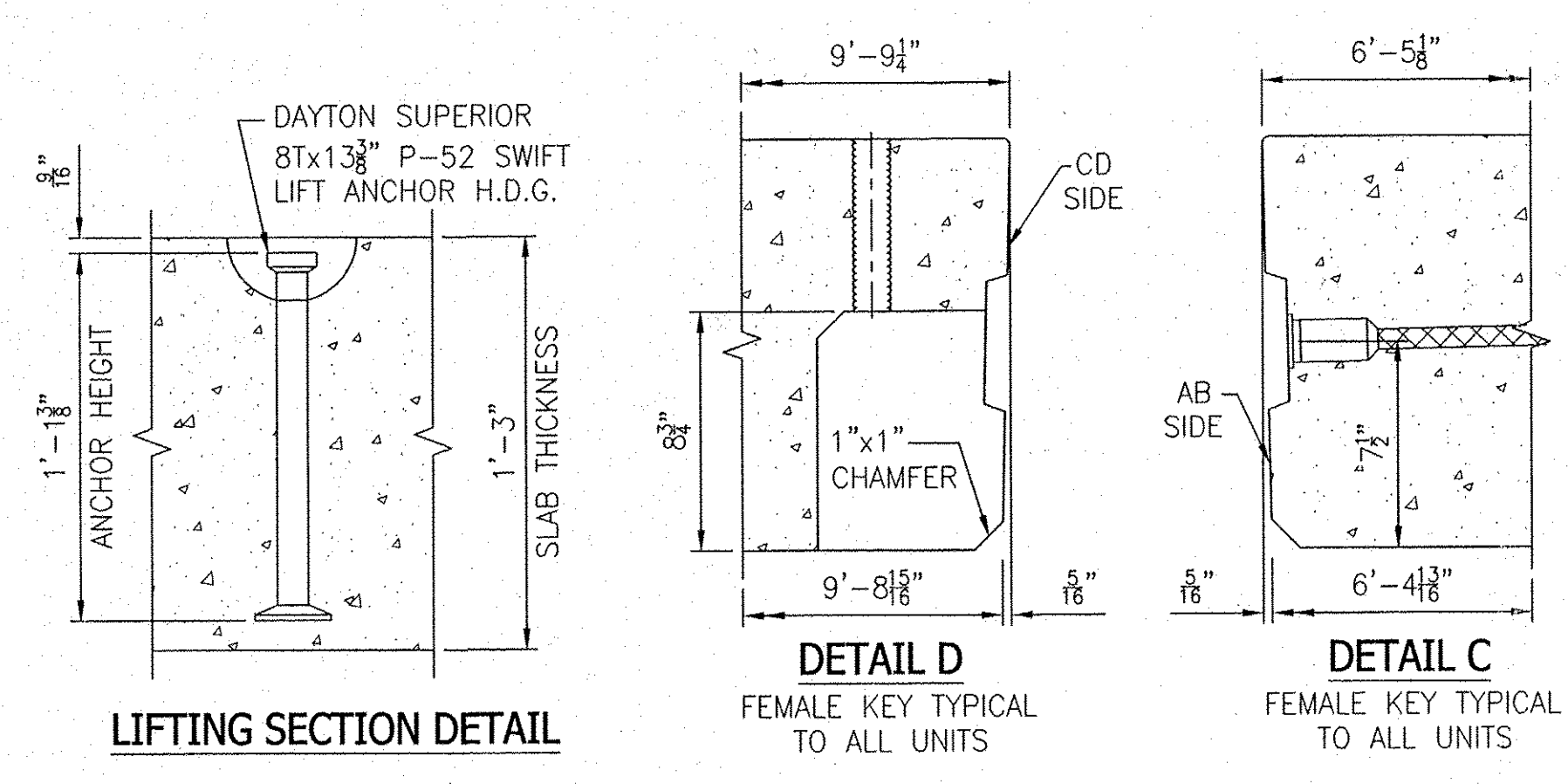


REINFORCEMENT SECTION

	E901		E502		E403		E404	
	QTY	LENGTH	QTY	LENGTH	QTY	LENGTH	QTY	LENGTH
S8-1	9	19' 6 1/2"	21	6' 1"	8	19' 6 1/2"	21	6' 1"
S8-2	9	19' 6 1/2"	21	6' 5"	8	19' 6 1/2"	21	6' 5"
S8-3	13	19' 6 1/2"	21	9' 5 1/4"	11	19' 6 1/2"	21	9' 5 1/4"
S8-4	12	19' 6 1/2"	21	8' 7"	10	19' 6 1/2"	21	8' 7"
S8-5	9	19' 6 1/2"	21	6' 1"	8	19' 6 1/2"	21	6' 1"
S8-6	9	19' 6 1/2"	21	6' 5"	8	19' 6 1/2"	21	6' 5"
S8-7	13	19' 6 1/2"	21	9' 5 1/4"	11	19' 6 1/2"	21	9' 5 1/4"
S8-8	12	19' 6 1/2"	21	8' 7"	10	19' 6 1/2"	21	8' 7"

ALL REINFORCEMENT IS EPOXY COATED.



RECEIVED
APR 04 2011
APPROVED
DATE 4/11/11

*SUPER-SLAB® IS PROTECTED UNDER AT LEAST ONE OF US PATENT NUMBERS: 6,607,329 B2, 6,663,315, 6,709,192 AND 6,899,489 AND OTHER U.S. AND FOREIGN PATENTS PENDING. SUPER-SLAB® IS A REGISTERED US TRADEMARK OWNED BY THE FORT MILLER CO., INC.

NO.	DATE	BY	PER ENG. COMMENTS, ADDED NOTES
	3-28-11	TDS	

NO. _____ DATE _____ BY _____

REVISIONS

F.M. JOB NO. 12511

DATE: 2-21-11

DRN. BY: TDS

CHK. BY: SDH

SCALE: NONE

SHEET NO. 3 OF 3

DWG. NO. S3

THE FORT MILLER Co., Inc.
P.O. BOX 98
SCHUYLVILLE, NY 12871
(518) 695-5000
(518) 695-4970 FAX
WWW.FORTMILLER.COM

PROJECT LOCATION: TOWN OF CHESTER - ROUTE 103
PROJECT: BR# 025-1(28) - BRIDGE #8
ITEM# 900.620
SUBJECT: UNIT PLAN, REINFORCEMENT & SECTION DETAILS

CONTRACTOR: COLD RIVER BRIDGES, LLC.
CONTRACTOR ADDRESS: PO BOX 1076
WALPOLE, NH 03608

ENGINEER/ARCHITECT: VAOT