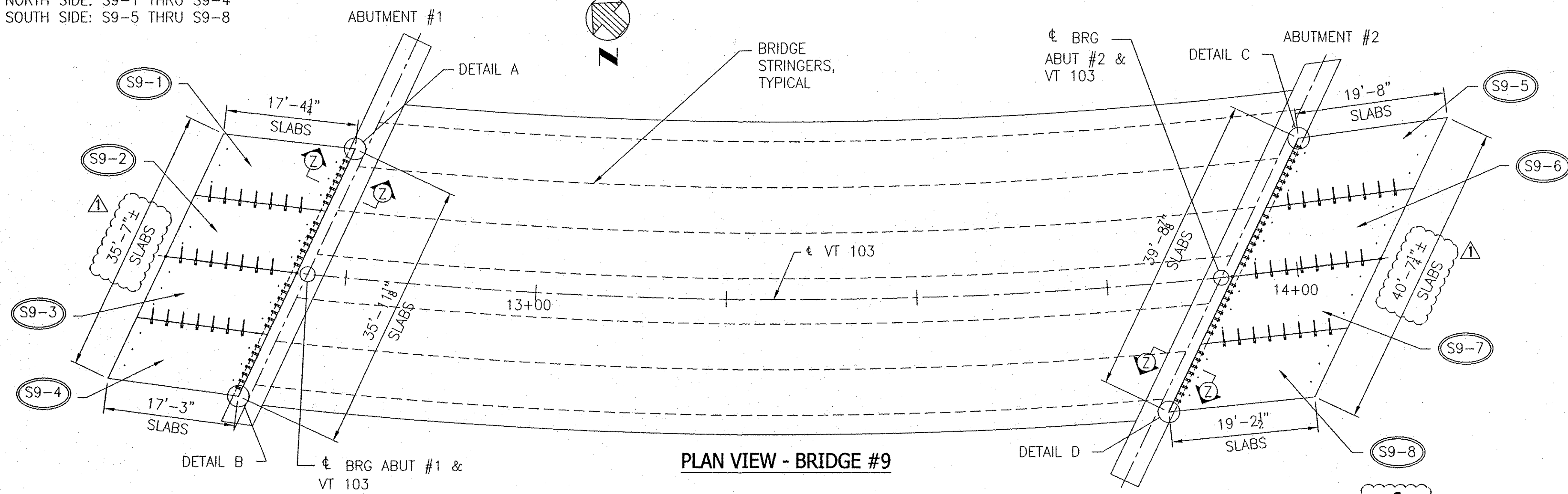
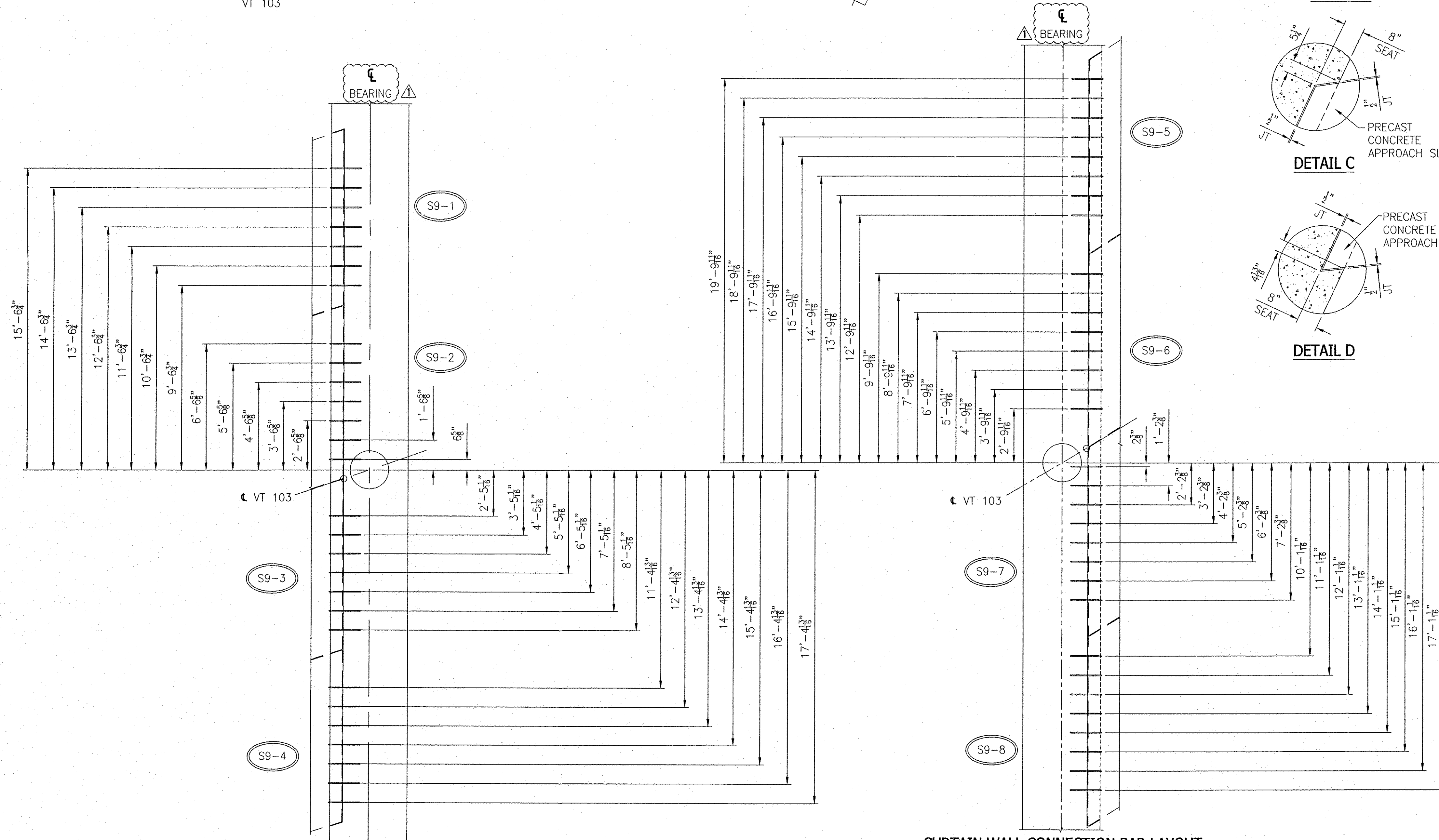


SETTING SEQUENCE:  
 NORTH SIDE: S9-1 THRU S9-4  
 SOUTH SIDE: S9-5 THRU S9-8

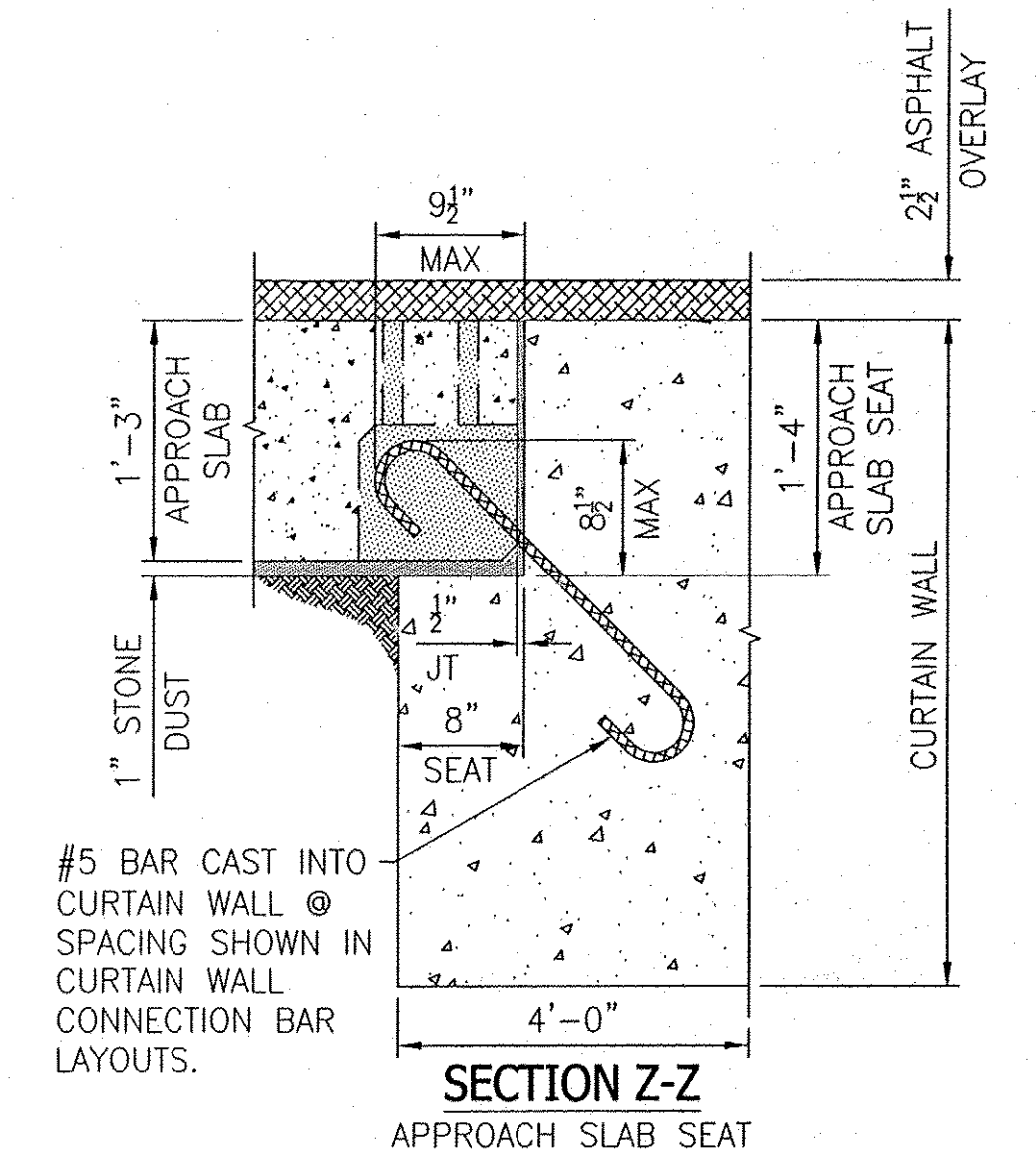
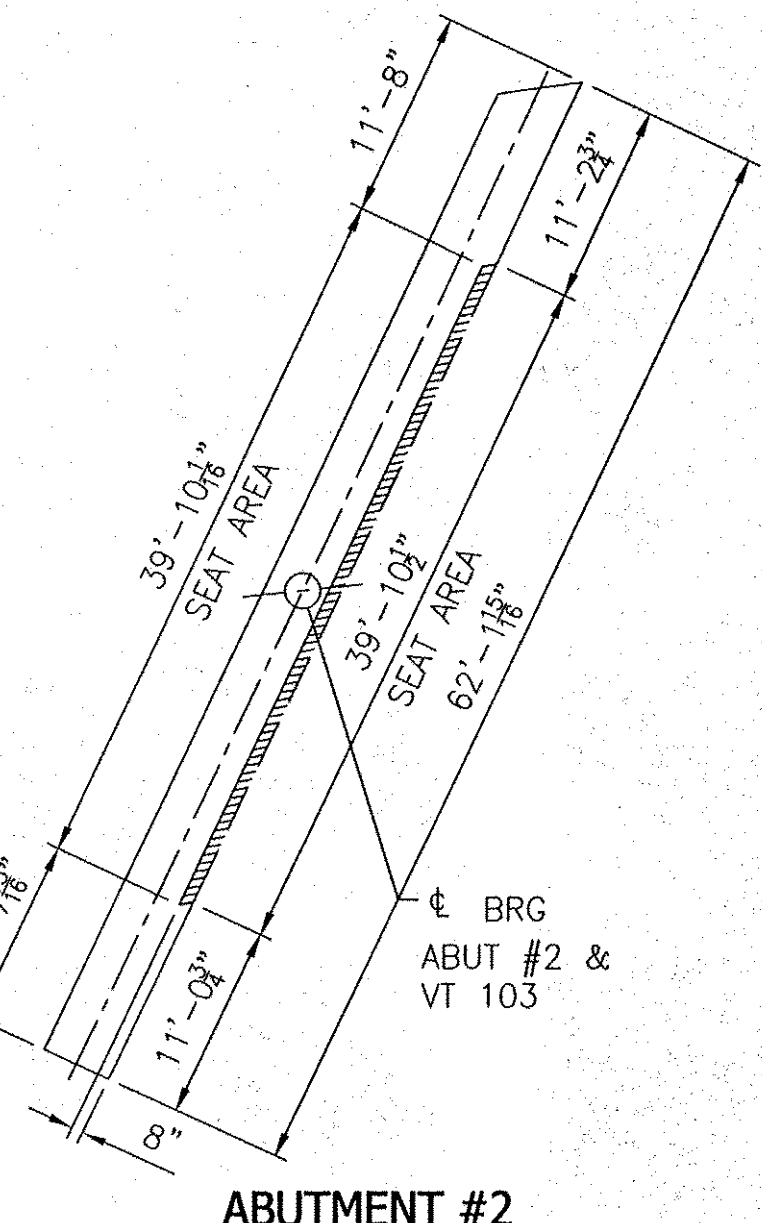
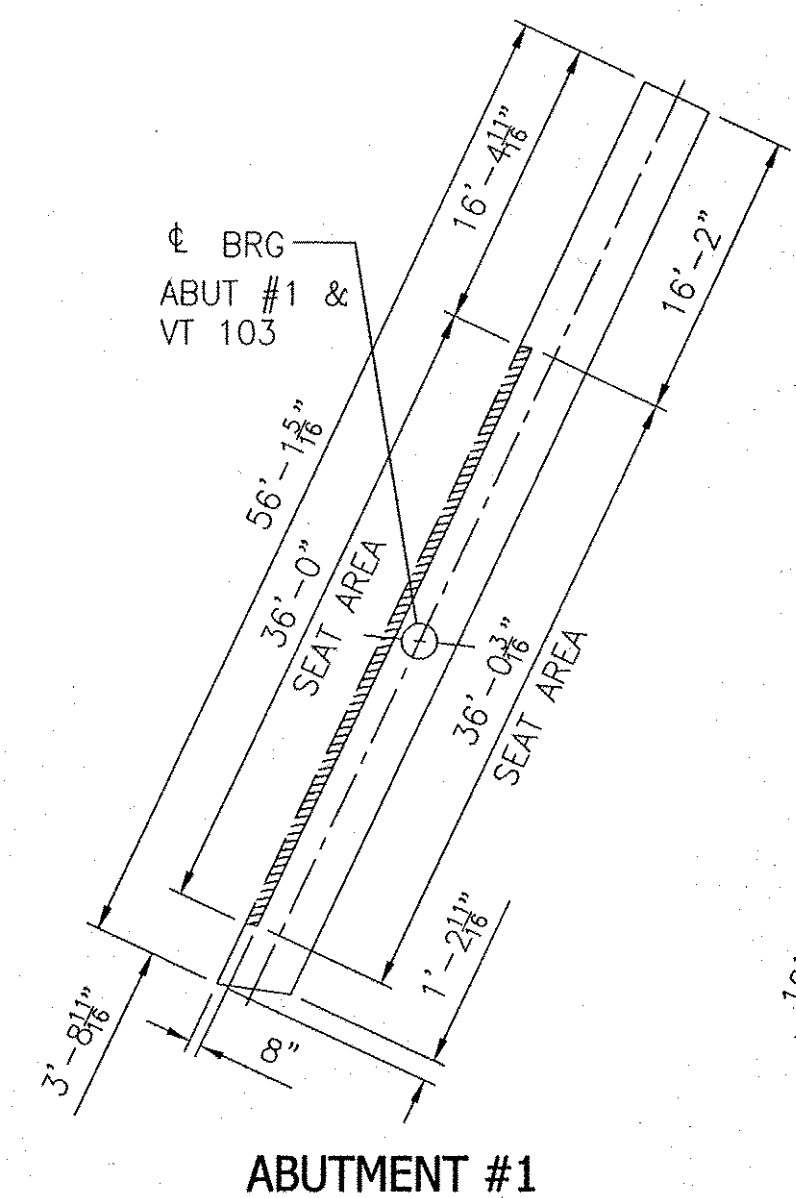
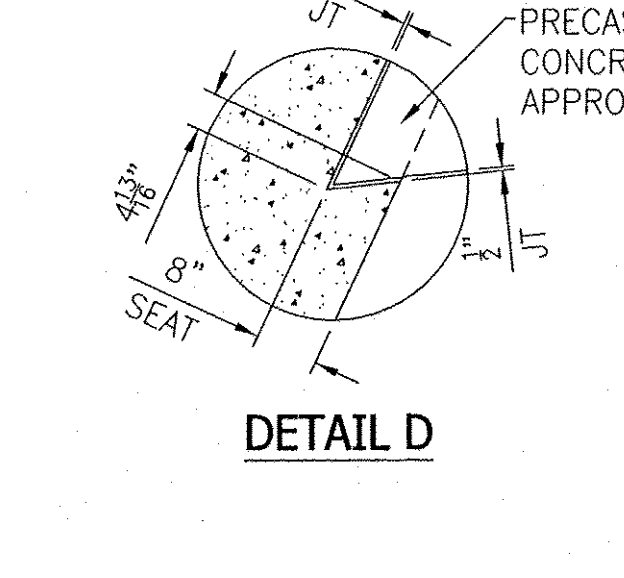
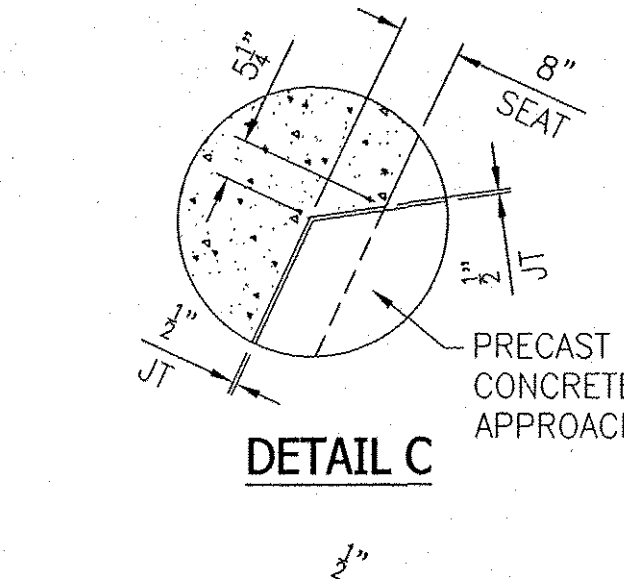
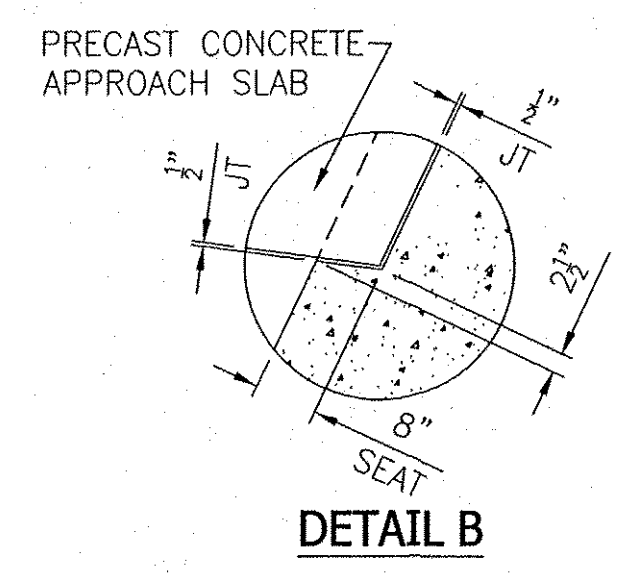
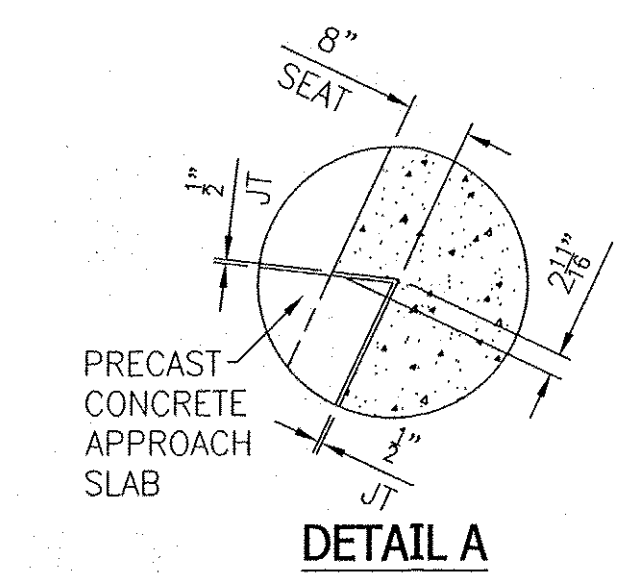


PLAN VIEW - BRIDGE #9



CURTAIN WALL CONNECTION BAR LAYOUT  
 ABUTMENT #1

CURTAIN WALL CONNECTION BAR LAYOUT  
 ABUTMENT #2



RECEIVED  
 GRD BY: JCS OK'D BY: RSC  
 MAR 29 2011  
 RESUBMIT: \_\_\_\_\_ APPROVED: \_\_\_\_\_  
 BY: CPW DATE: 3/30/11

3-23-11	TDS	PER ENG. COMMENTS	
NO.	DATE	BY	REVISIONS
THE FORT MILLER Co., Inc. P.O. BOX 98 SCHUYLERVILLE, NY 12871 (518) 695-5000 (518) 695-4970 FAX WWW.FORTMILLER.COM			F.M. JOB NO. 12511
PROJECT LOCATION: TOWN OF CHESTER - ROUTE 103 PROJECT: BRF 025-1(37) - BRIDGE #9 ITEM# 900.620 SUBJECT: PLAN & ABUTMENT DETAILS CONTRACTOR: COLD RIVER BRIDGES, LLC. CONTRACTOR ADDRESS: PO BOX 1076 WALPOLE, NH 03608 ENGINEER/ARCHITECT: VAOT			DATE: 2-16-11 DRN. BY: TDS CHK. BY: SDH SCALE: NONE SHEET NO. 2 OF 4 DWG. NO. P2