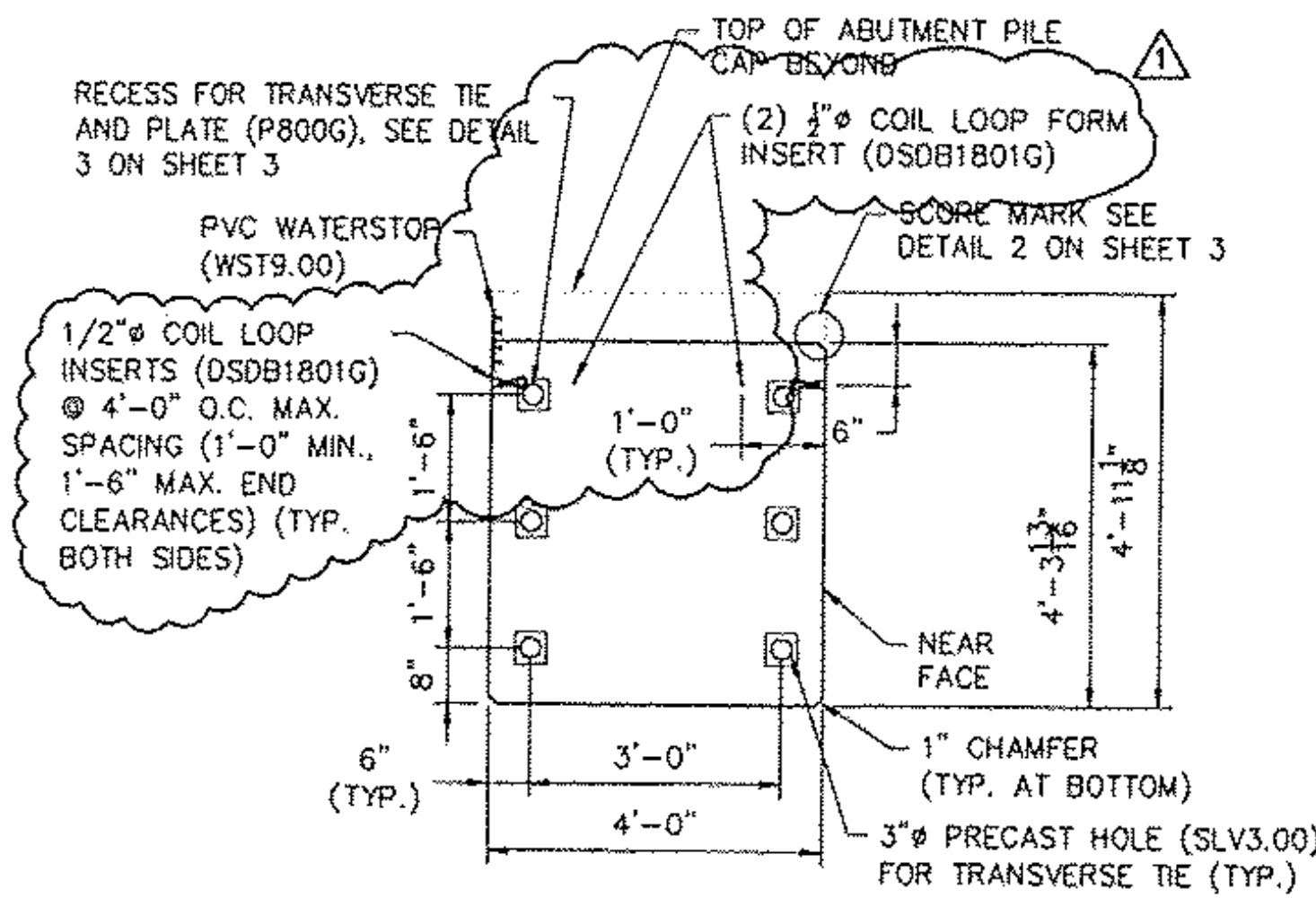


RECEIVED
OK'D BY LJS OK'D BY RSY

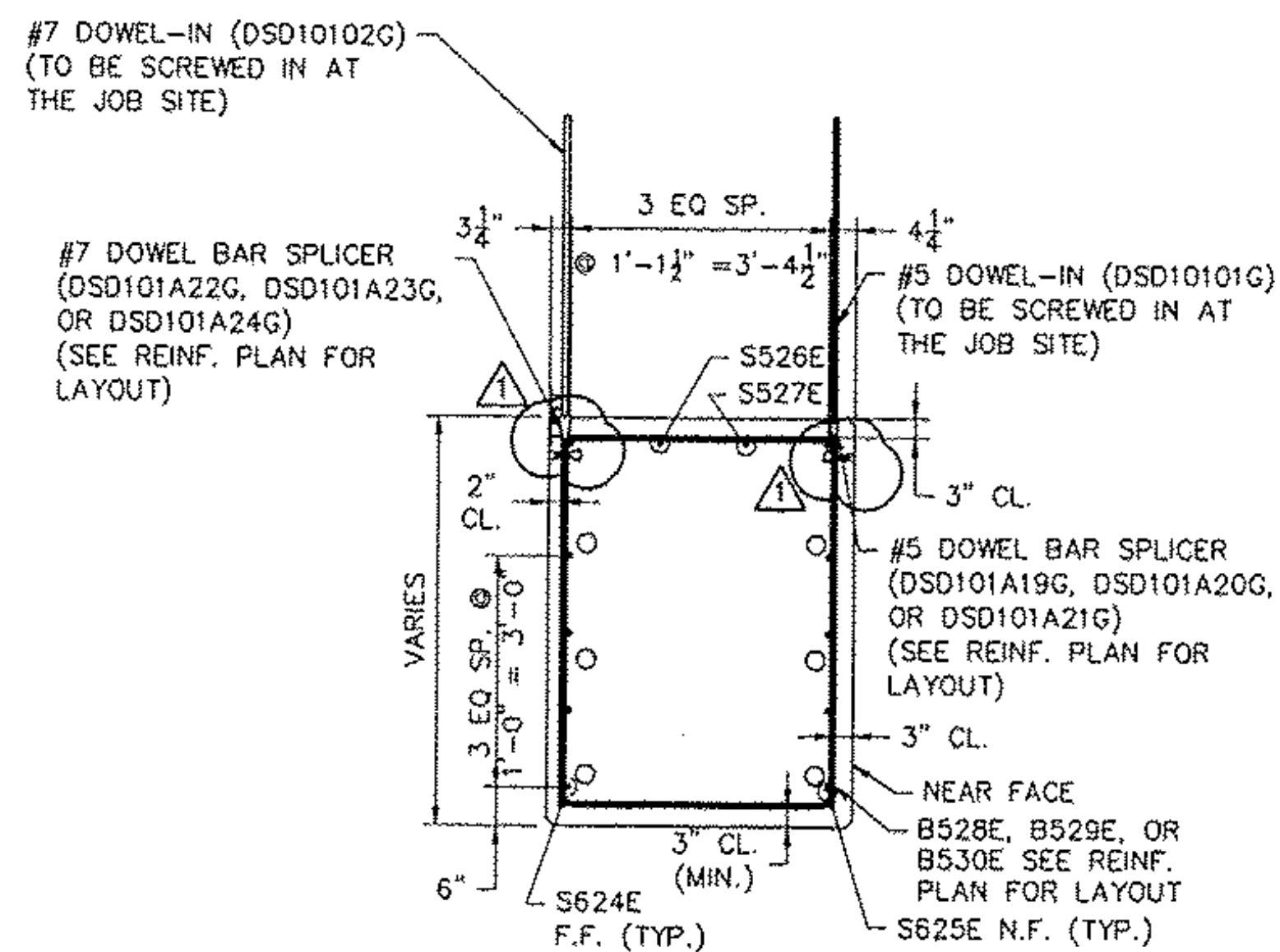
MAR 11 2011

RESUBMIT _____ APPROVED As Noted
BY CPW DATE 3/28/11

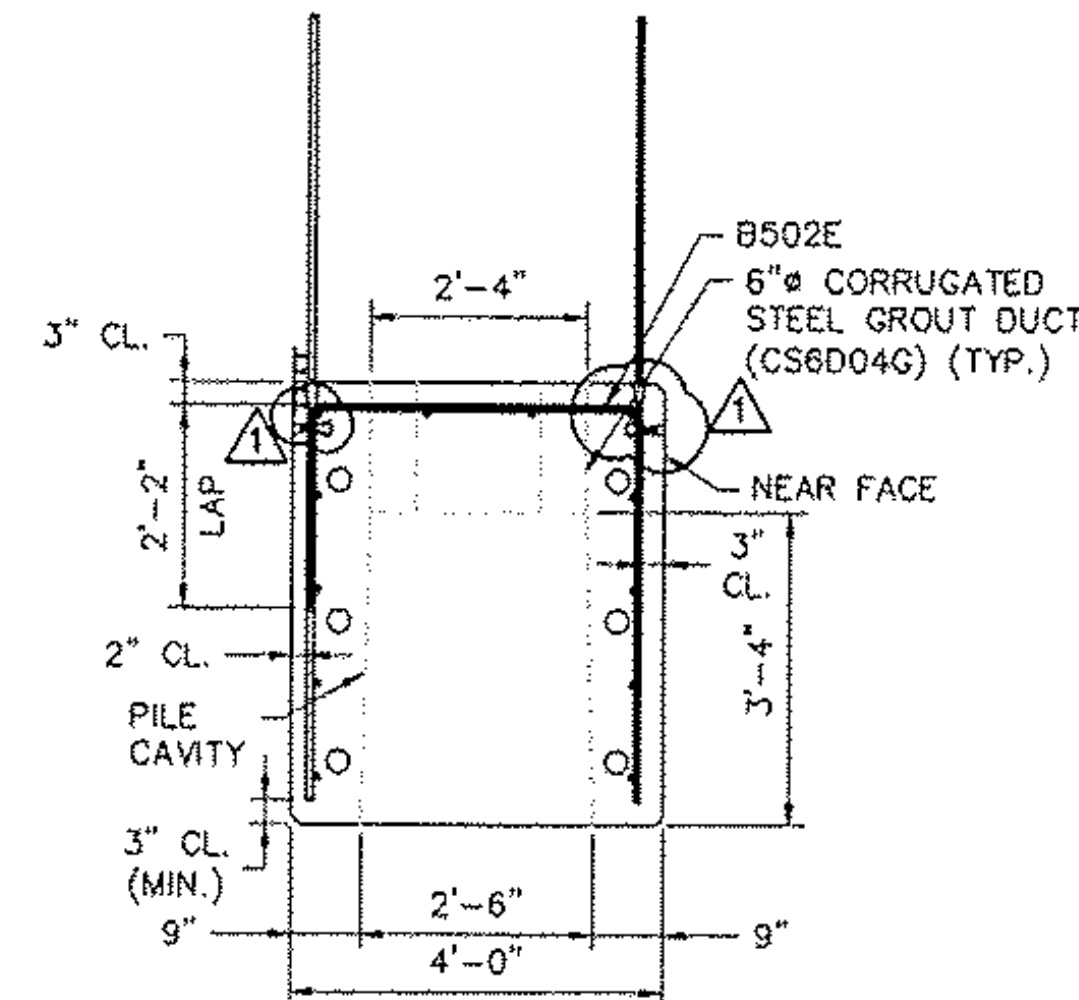
PARTS & PART NUMBERS		
PART NO.	DESCRIPTION	QTY.
B502E	#5 X 7'-11" EPOXY COATED	4
S624E	#6 X 22'-6 7/8" EPOXY COATED	5
S625E	#6 X 20'-8 1/2" EPOXY COATED	5
S526E	#5 X 22'-4 1/2" EPOXY COATED	1
S527E	#5 X 21'-7 7/8" EPOXY COATED	1
B528E	#5 X 16'-7 7/8" EPOXY COATED	7
B529E	#5 X 16'-2 1/2" EPOXY COATED	8
B530E	#5 X 15'-8 1/2" EPOXY COATED	3
B531E	#5 X 16'-9 1/2" EPOXY COATED	1
DSD1801G	1/2" Ø, 4" LONG, COIL LOOP INSERT	15
CS4D01G	4" Ø CORRUGATED STEEL SLEEVE 1'-8" LONG, GALV.	4
CS4D02G	4" Ø CORRUGATED STEEL SLEEVE 1'-2" LONG, GALV.	2
WST9.00	PVC WATERSTOP 23'-10" LONG BASE SEAL TYPE 771 BY GREENSTREAK	1
MBRL2301G	RAPID LIFT, 22 TON, 15" LONG, GALV.	4
MBRL4502	RECESS PLUG, 22 TON	4
SLV3.00	3" I.D. RIGID PLASTIC SLEEVE	6
CS6D04G	6" Ø CORRUGATED STEEL PIPE, GALV., 1'-5" LONG (MAX.)	4
DSD101A19G	#5 DOWEL BAR SPLICER, 4'-6" LONG	7
DSD101A20G	#5 DOWEL BAR SPLICER, 4'-3 3/4" LONG	7
DSD101A21G	#5 DOWEL BAR SPLICER, 4'-1 1/2" LONG	7
DSD101A22G	#7 DOWEL BAR SPLICER, 4'-6" LONG	7
DSD101A23G	#7 DOWEL BAR SPLICER, 4'-3 3/4" LONG	7
DSD101A24G	#7 DOWEL BAR SPLICER, 4'-1 1/8" LONG	9
	VERMONT STATE MIX DESIGN	
	DO NOT CAST - SHIP TO JOBSITE	
DSD10101G	#5 DOWEL-IN, 4'-0 1/2" LONG	21
DSD10102G	#7 DOWEL-IN, 4'-0 1/2" LONG	23
P800G	1/4" X 1/4" GALVANIZED PLATE	6



① BAW-04 SECTION A
SCALE: 1/2" = 1'-0"



② BAW-04 SECTION B
SCALE: 1/2" = 1'-0"



③ BAW-04 SECTION C
SCALE: 1/2" = 1'-0"

NOTE: REBAR DIMENSIONS ARE OUT TO OUT.

NOTE: ALL ITEMS LISTED ABOVE ARE SUGGESTED PRODUCTS. FABRICATOR MAY SUBSTITUTE APPROVED EQUALS AS NECESSARY.

MATERIAL SPECIFICATION	
CONCRETE:	
28 DAY STRENGTH:	5000 PSI
RELEASE STRENGTH:	3000 PSI
MILD REINFORCING:	AASHTO M31, GRADE 60, EPOXY COATED
FINISHES:	
ENDS:	FORM FINISH
TOP:	RAKE FINISH, 1/2" AMPLITUDE
BOTTOM:	FORM FINISH
SIDES:	FORM FINISH
DUNNAGE:	
STORAGE:	BELOW LIFT ANCHORS
SHIPPING:	BELOW LIFT ANCHORS
BAW-04	
TOTAL WEIGHT:	55,348 LBS
CONC. YARDAGE:	13.67 CY

CONSTRUCTION SET
FEBRUARY 18, 2011

REVISION NO. _____ REVISION DATE _____

Hoyle, Tanner & Associates, Inc.

125 College Street, 4th Floor Burlington, VT 05401
Tel (802)860-1331 • Fax (802)860-6499 • www.hoyletanner.com
© Copyright 2011 Hoyle, Tanner & Associates, Inc.

DRAWN BY: AMW DATE: FEBRUARY 2011
CHECKED BY: CHS PROJECT NO.: 122435.00

W.E. DAILEY, INC.

PRECAST CONCRETE PRODUCTS
TEL: (802) 442-1110 FAX: (802) 442-1119

CHESTER, VT
VT 103
BRIDGE #9

PROJECT NO.: BRF 025-1 (37)

SHEET 11 OF 15