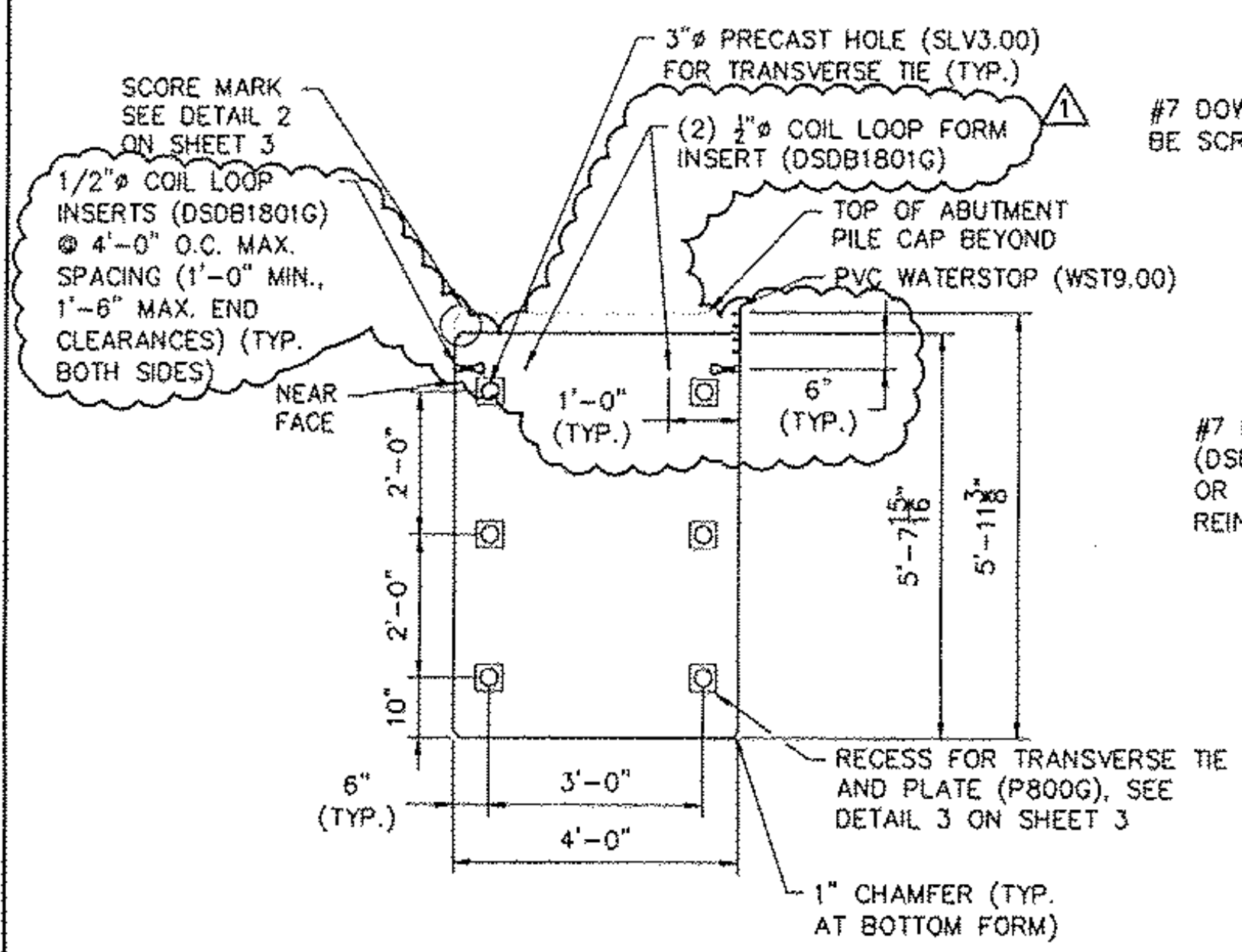


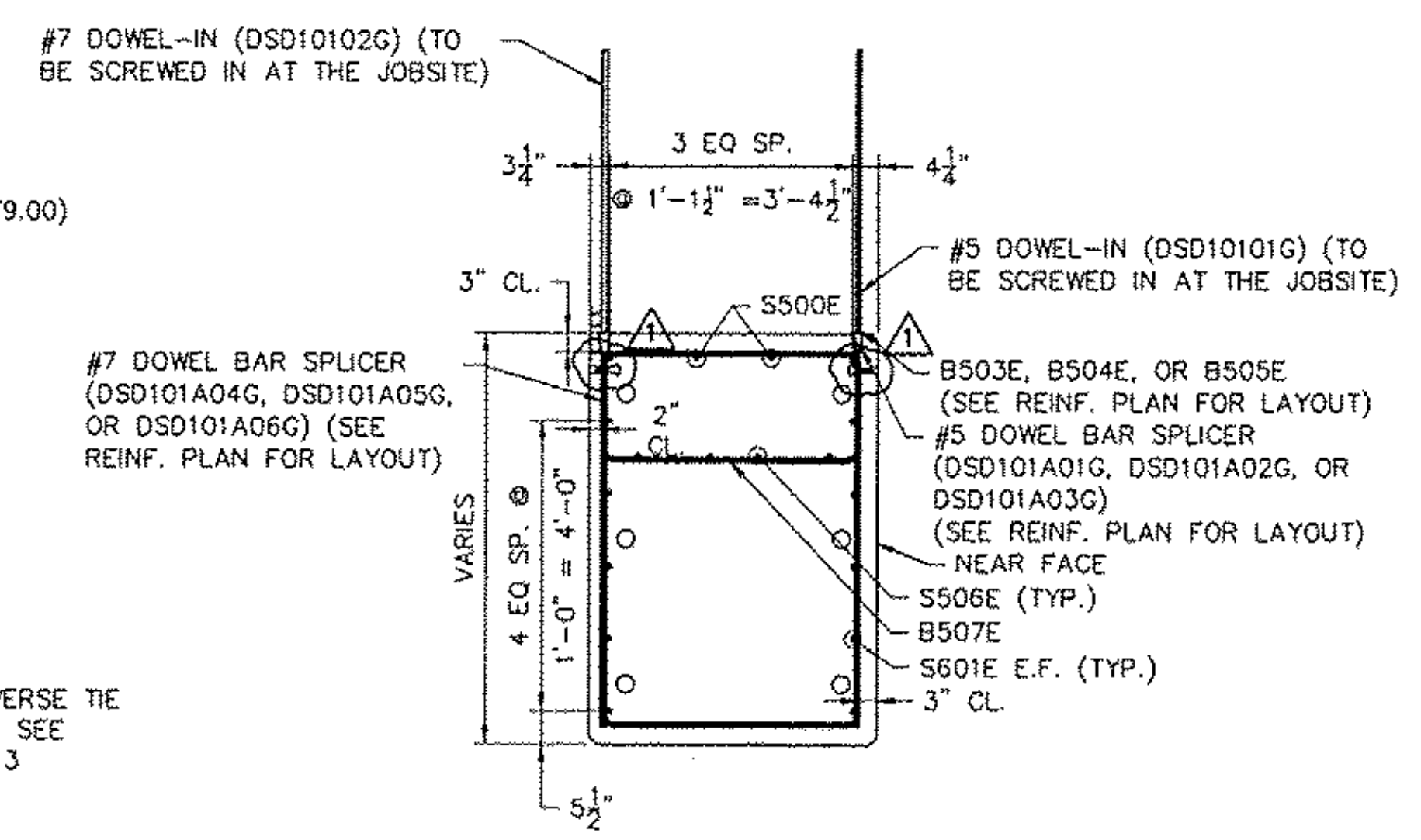
**RECEIVED**  
 OK'D BY JSS OK'D BY RSY  
**MAR 11 2011**  
 RESUBMIT \_\_\_\_\_ APPROVED A. N. N. N.  
 BY CPW DATE 3/28/11

BAR DIMENSIONS	
	B502E
	B503E
	B504E
	B505E
	B507E

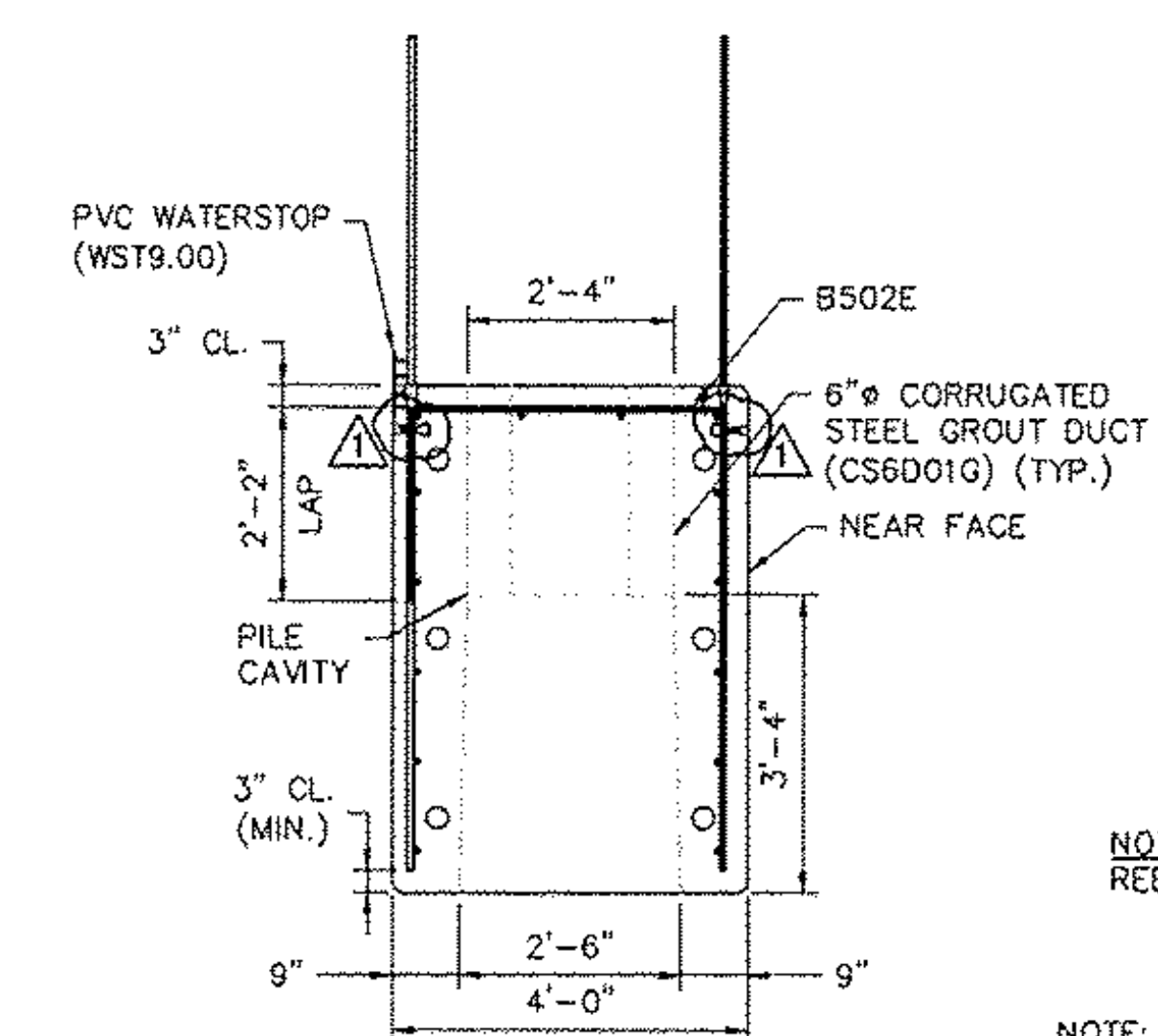
PARTS & PART NUMBERS		
PART NO.	DESCRIPTION	QTY.
S500E	#5 X 18'-7 1/2" EPOXY COATED	2
S601E	#6 X 18'-9 1/2" EPOXY COATED	12
B502E	#5 X 7'-11" EPOXY COATED	5
B503E	#5 X 18'-5" EPOXY COATED	1
B504E	#5 X 18'-6 1/2" EPOXY COATED	8
B505E	#5 X 18'-10" EPOXY COATED	6
S506E	#5 X 7'-9" EPOXY COATED	4
B507E	#5 X 11'-9" EPOXY COATED	6
DADB1801G	1/2", 4" LONG, COIL LOOP INSERT	14
CS4001G	4" CORRUGATED STEEL SLEEVE 1'-8" LONG, GALV.	4
WST9.00	PVC WATERSTOP 19'-4" LONG BASE SEAL TYPE 771 BY GREENSTREAK	1
MBRL2301G	RAPID LIFT, 22 TON, 15" LONG, GALV.	4
MBRL4502	RECESS PLUG, 22 TON	4
SLV3.00	3" I.D. RIGID PLASTIC SLEEVE	6
CS6001G	6" CORRUGATED STEEL PIPE, GALV., 2'-6 1/2" LONG (MAX.)	4
DSD101A01G	#5 DOWEL BAR SPLICER, 5'-5" LONG	6
DSD101A02G	#5 DOWEL BAR SPLICER, 5'-6 1/2" LONG	7
DSD101A03G	#5 DOWEL BAR SPLICER, 5'-7 1/2" LONG	7
DSD101A04G	#7 DOWEL BAR SPLICER, 5'-5" LONG	6
DSD101A05G	#7 DOWEL BAR SPLICER, 5'-6 1/2" LONG	7
DSD101A06G	#7 DOWEL BAR SPLICER, 5'-7 1/2" LONG	7
	VERMONT STATE MIX DESIGN	
	DO NOT CAST - SHIP TO JOBSITE	
DSD10101G	#5 DOWEL-IN, 4'-0 1/8" LONG	20
DSD10102G	#7 DOWEL-IN, 4'-0 1/8" LONG	20
P800G	1" X 4 1/2" X 4 1/2" GALVANIZED PLATE	6



1 BAW-03 SECTION A  
SCALE: 1/2" = 1'-0"



2 BAW-03 SECTION B  
SCALE: 1/2" = 1'-0"



3 BAW-03 SECTION C  
SCALE: 1/2" = 1'-0"

NOTE: REBAR DIMENSIONS ARE OUT TO OUT.  
 NOTE: ALL ITEMS LISTED ABOVE ARE SUGGESTED PRODUCTS. FABRICATOR MAY SUBSTITUTE APPROVED EQUALS AS NECESSARY.

MATERIAL SPECIFICATION	
<b>CONCRETE:</b>	
28 DAY STRENGTH:	5000 PSI
RELEASE STRENGTH:	3000 PSI
MILD REINFORCING:	AASHTO M31, GR 60 EPOXY COATED
<b>FINISHES:</b>	
ENDS:	FORM FINISH
TOP:	RAKE FINISH, 1/4" AMPLITUDE
BOTTOM:	FORM FINISH
SIDES:	FORM FINISH
<b>DUNNAGE:</b>	
STORAGE:	BELOW LIFT ANCHORS
SHIPPING:	BELOW LIFT ANCHORS
<b>BAW-03</b>	
TOTAL WEIGHT:	60,334 LBS
CONC. YARDAGE:	14.89 CY



CONSTRUCTION SET  
FEBRUARY 18, 2011

REVISION NO.	REVISION DATE
1	MARCH 09, 2011

**Hoyle, Tanner & Associates, Inc.**

125 College Street, 4th Floor Burlington, VT 05401  
 Tel (802)860-1331 • Fax (802)860-6499 • www.hoyletanner.com  
 © Copyright 2011 Hoyle, Tanner & Associates, Inc.

DRAWN BY: APN DATE: FEBRUARY 2011  
 CHECKED BY: CHS PROJECT NO.: 122439.00

PRECAST CONCRETE PRODUCTS  
 TEL: (802) 442-1418 FAX: (802) 442-4712

**CHESTER, VT**  
 VT 103  
 BRIDGE #9

PROJECT NO.: BRF 025-1 (37)

**SHEET 9 OF 15**