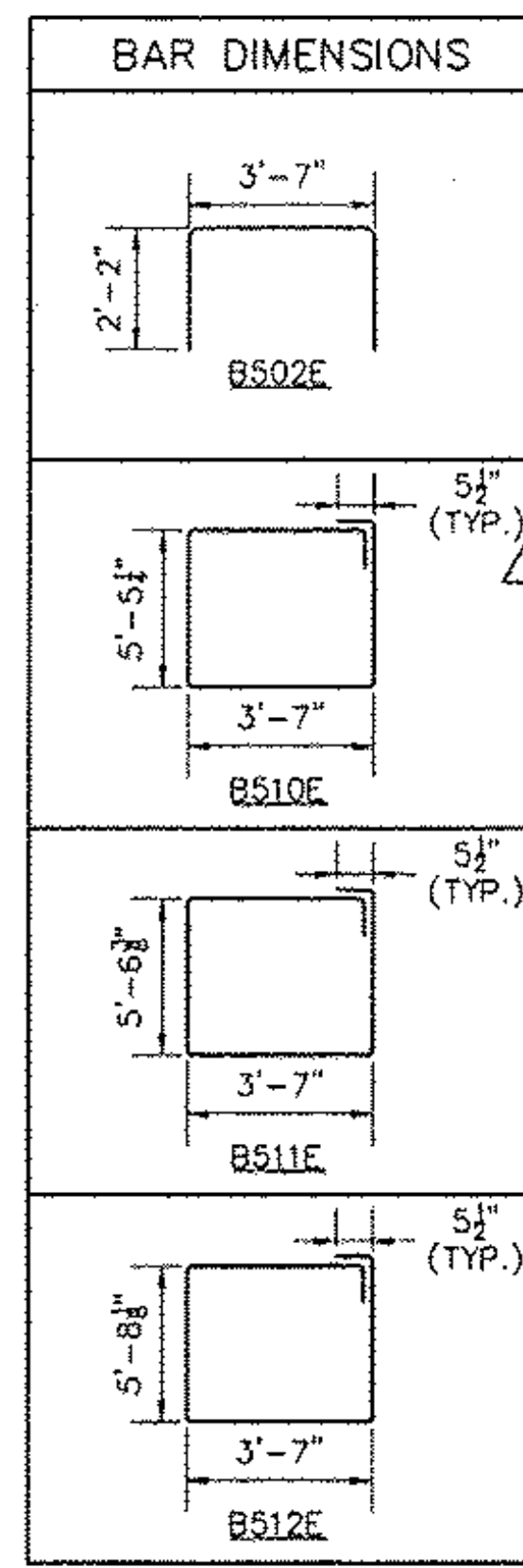


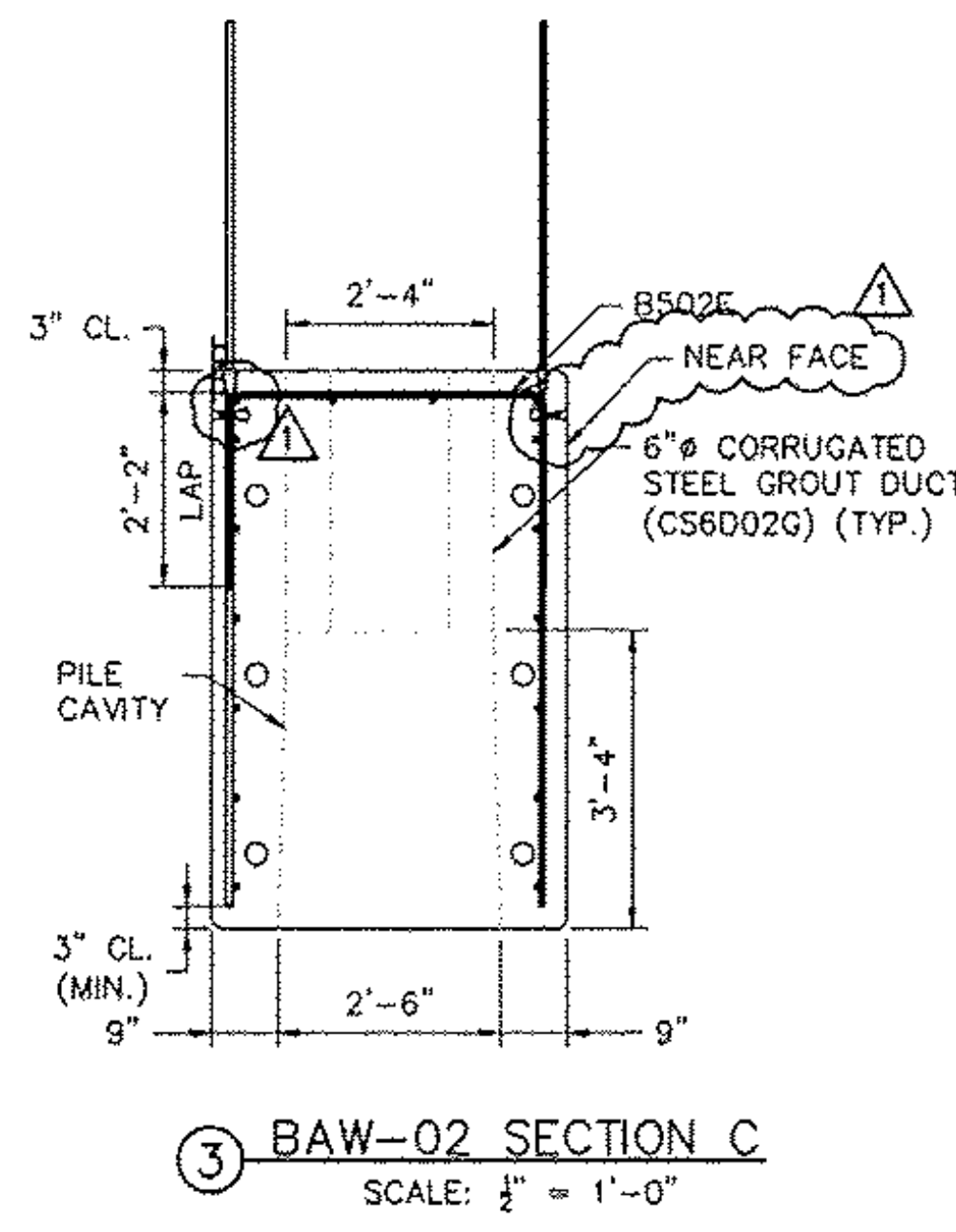
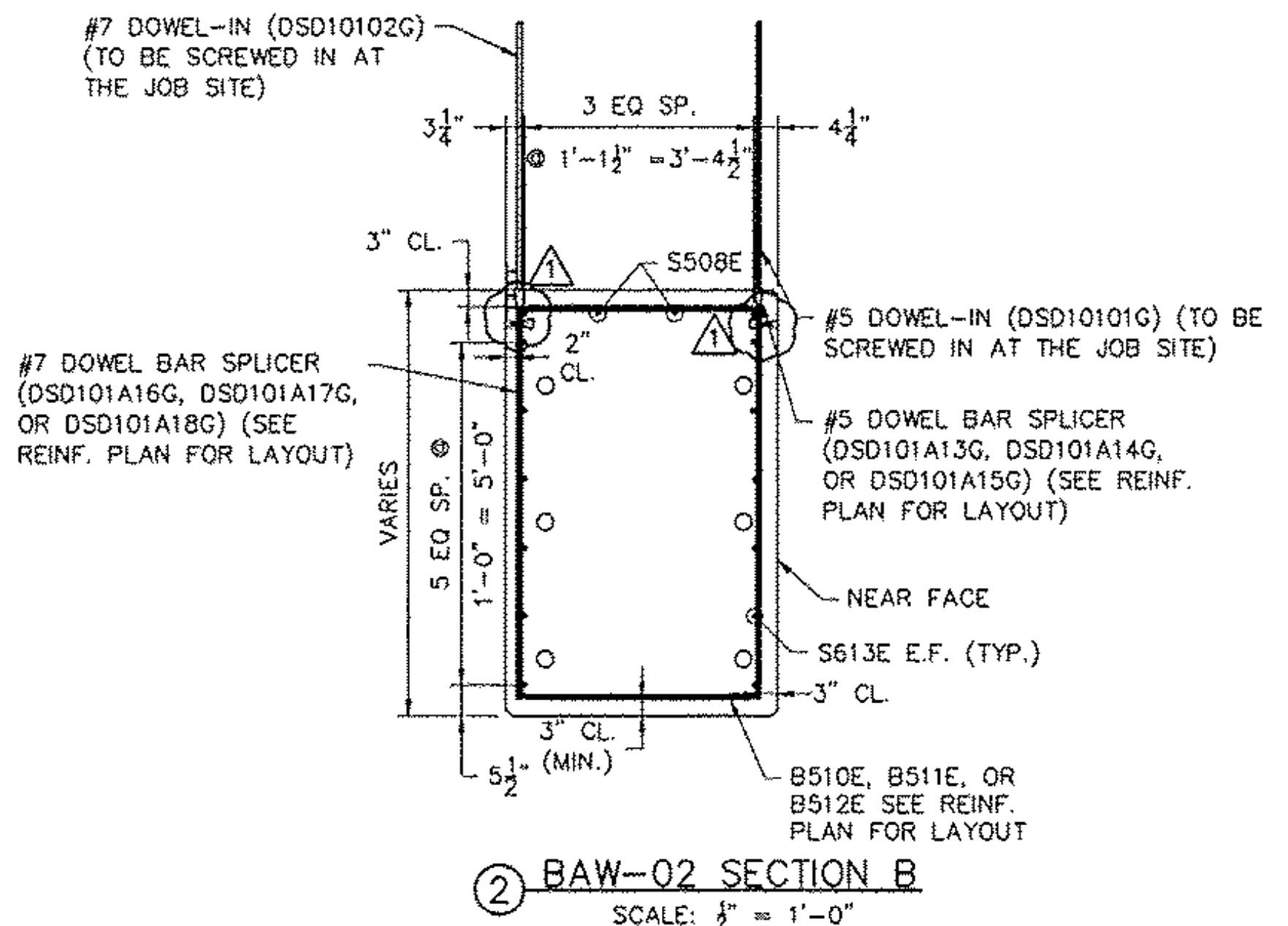
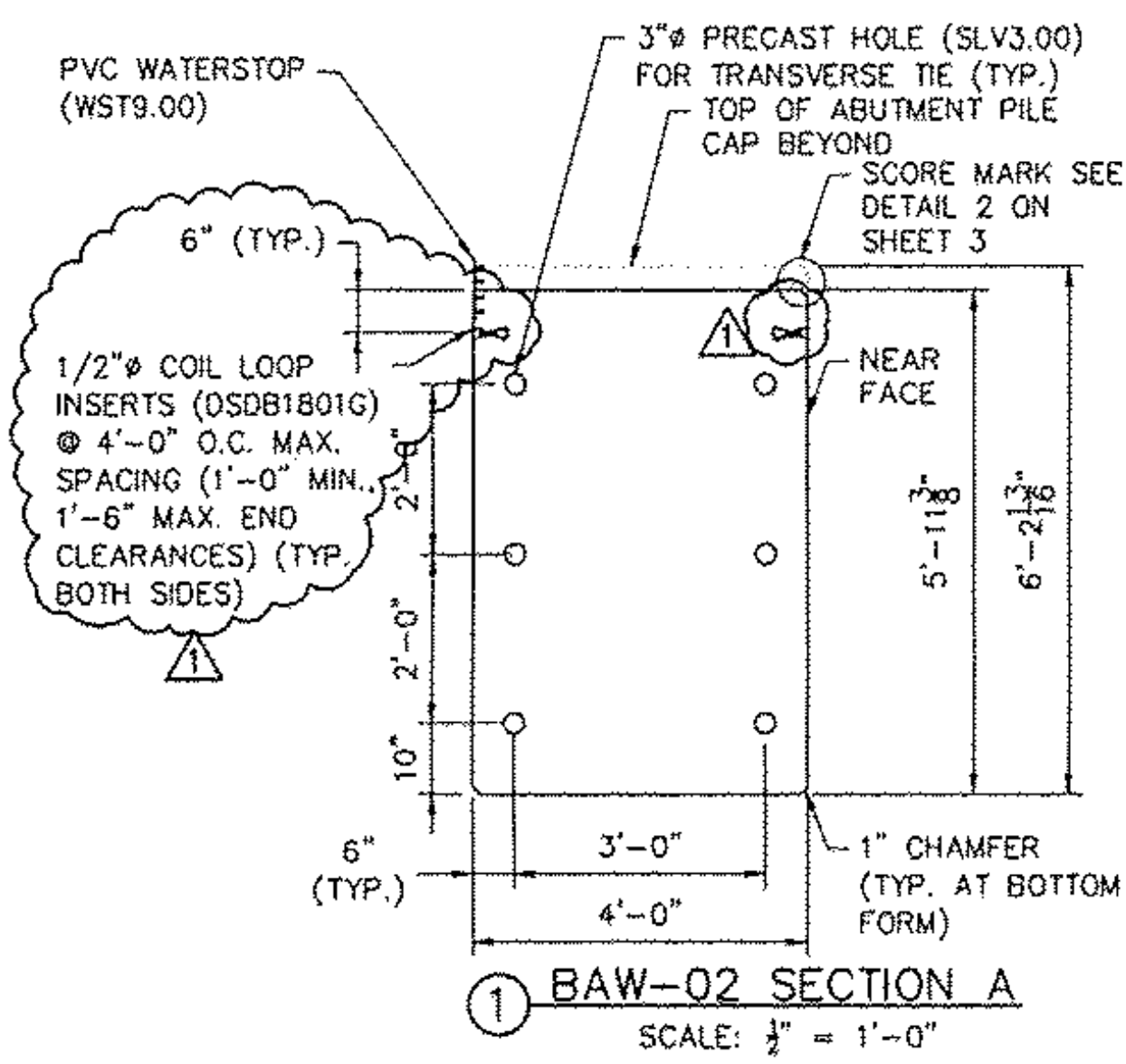
RECEIVED
 CK'D BY LSS OK'D BY RSY
MAR 11 2011
 RESUBMIT _____ APPROVED
 BY CPW DATE 3/28/11



PARTS & PART NUMBERS		
PART NO.	DESCRIPTION	QTY.
B502E	#5 X 7'-11" EPOXY COATED	4
S508E	#5 X 18'-5" EPOXY COATED	2
S609E	#6 X 18'-7" EPOXY COATED	14
B510E	#5 X 18'-11 1/2" EPOXY COATED	3
B511E	#5 X 19'-12" EPOXY COATED	8
B512E	#5 X 19'-5 1/2" EPOXY COATED	5
DSD1801G	1/2" 4" LONG COIL LOOP INSERT	12
CS4001G	4" CORRUGATED STEEL SLEEVE 1'-8" LONG, GALV.	6
WST9.00	PVC WATERSTOP 19'-2" LONG BASE SEAL TYPE 771 BY GREENSTREAK	1
MBRL2301G	RAPID LIFT, 22 TON, 15" LONG, GALV.	4
MBRL4502	RECESS PLUG, 22 TON	4
SLV3.00	3" I.D. RIGID PLASTIC SLEEVE	6
CS6002G	6" CORRUGATED STEEL PIPE, GALV. 2'-10" LONG (MAX.)	4
DSD101A07G	#5 DOWEL BAR SPLICER, 5'-8 1/4" LONG	6
DSD101A08G	#5 DOWEL BAR SPLICER, 5'-9 3/8" LONG	7
DSD101A09G	#5 DOWEL BAR SPLICER, 5'-10 3/8" LONG	7
DSD101A10G	#7 DOWEL BAR SPLICER, 5'-8 1/4" LONG	6
DSD101A11G	#7 DOWEL BAR SPLICER, 5'-9 3/8" LONG	7
DSD101A12G	#7 DOWEL BAR SPLICER, 5'-10 3/8" LONG	7
	VERMONT STATE MIX DESIGN	
	DO NOT CAST - SHIP TO JOBSITE	
DSD10101G	#5 DOWEL-IN, 4'-0 3/8" LONG	20
DSD10102G	#7 DOWEL-IN, 4'-0 3/8" LONG	20

NOTE: REBAR DIMENSIONS ARE OUT TO OUT.

NOTE: ALL ITEMS LISTED ABOVE ARE SUGGESTED PRODUCTS. FABRICATOR MAY SUBSTITUTE APPROVED EQUALS AS NECESSARY.



MATERIAL SPECIFICATION

CONCRETE:
 28 DAY STRENGTH: 5000 PSI
 RELEASE STRENGTH: 3000 PSI
 MILD REINFORCING: AASHTO M31, GRADE 60, EPOXY COATED

FINISHES:
 ENDS: FORM FINISH
 TOP: RAKE FINISH, 1/2" AMPLITUDE
 BOTTOM: FORM FINISH
 SIDES: FORM FINISH

QUINNAGE:
 STORAGE: BELOW LIFT ANCHORS
 SHIPPING: BELOW LIFT ANCHORS

BAW-02
 TOTAL WEIGHT: 63,109 LBS
 CONC. YARDAGE: 15.58 CY



CONSTRUCTION SET
 FEBRUARY 18, 2011

REVISION NO.	REVISION DATE
1	MARCH 09, 2011

Hoyle, Tanner & Associates, Inc.

125 College Street, 4th Floor Burlington, VT 05401
 Tel (802)860-1331 • Fax (802)860-6493 • www.hoyletanner.com
 © Copyright 2011 Hoyle, Tanner & Associates, Inc.

DRAWN BY: AFN DATE: FEBRUARY 2011
 CHECKED BY: CHS PROJECT NO.: 122435.00

PRECAST CONCRETE PRODUCTS
 TEL: (802) 442-4418 FAX: (802) 442-4719

CHESTER, VT
 VT 103
 BRIDGE #9

PROJECT NO.: BRF 025-1 (37)
SHEET 7 OF 15