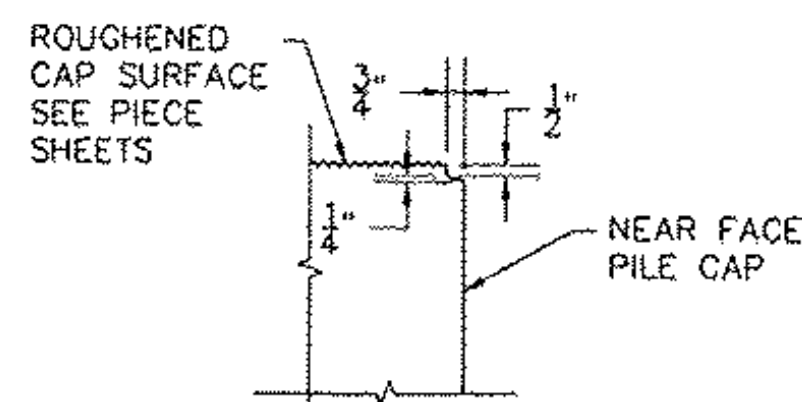
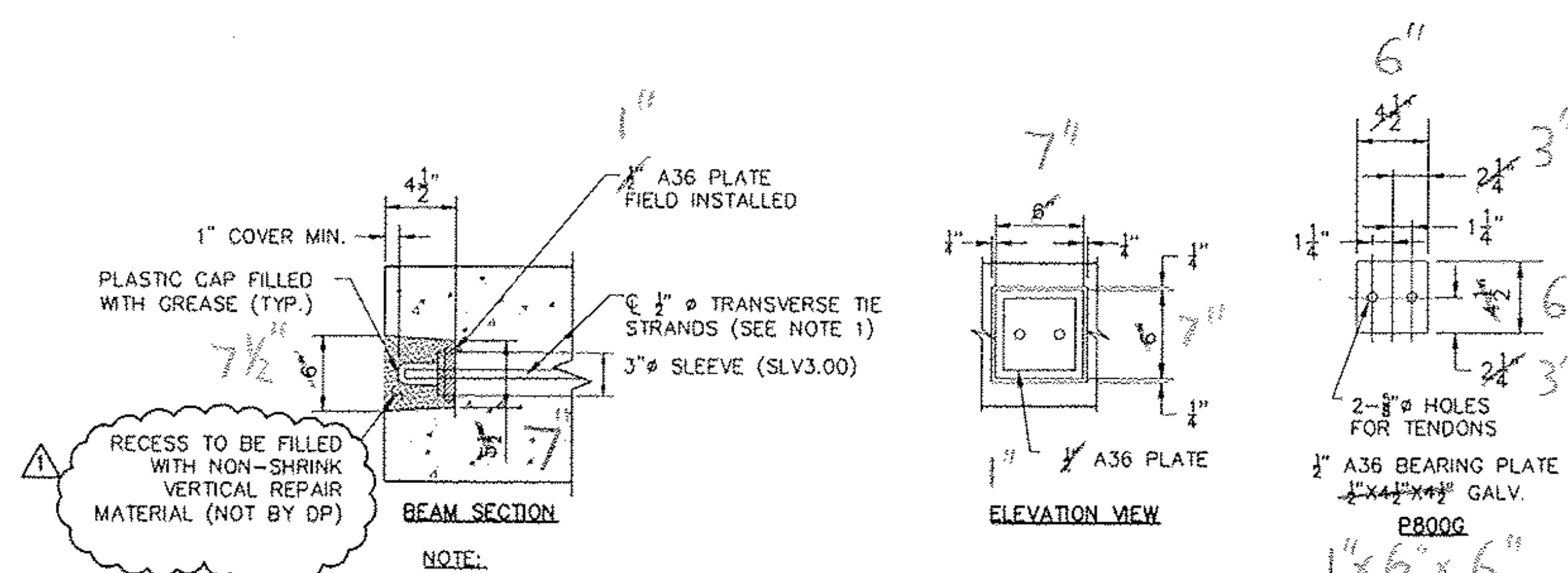


① TYPICAL PILE CAP MATCH CAST JOINT - PLAN VIEW  
SCALE: 1/2" = 1'-0"

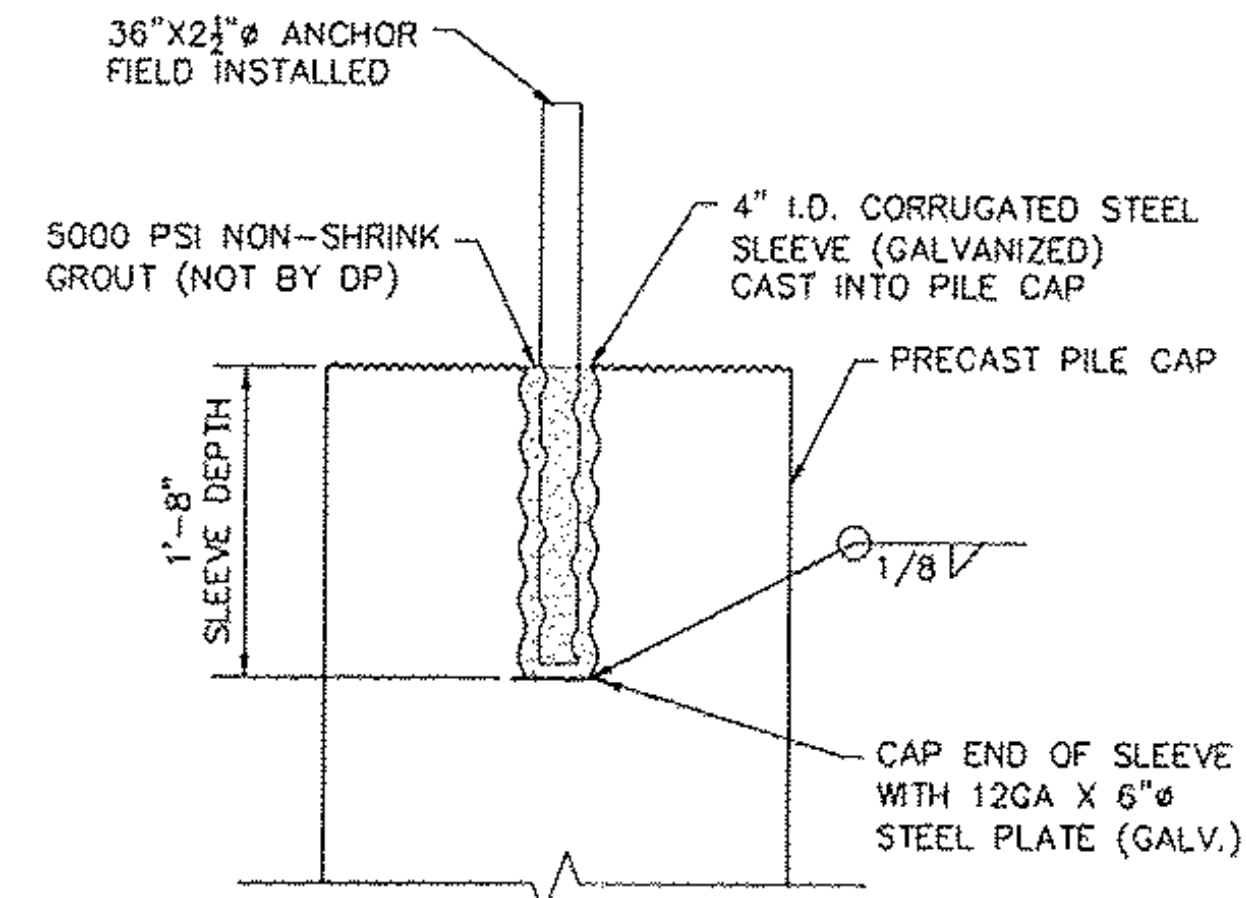


② SCORE MARK DETAIL  
SCALE: 1 1/2" = 1'-0"

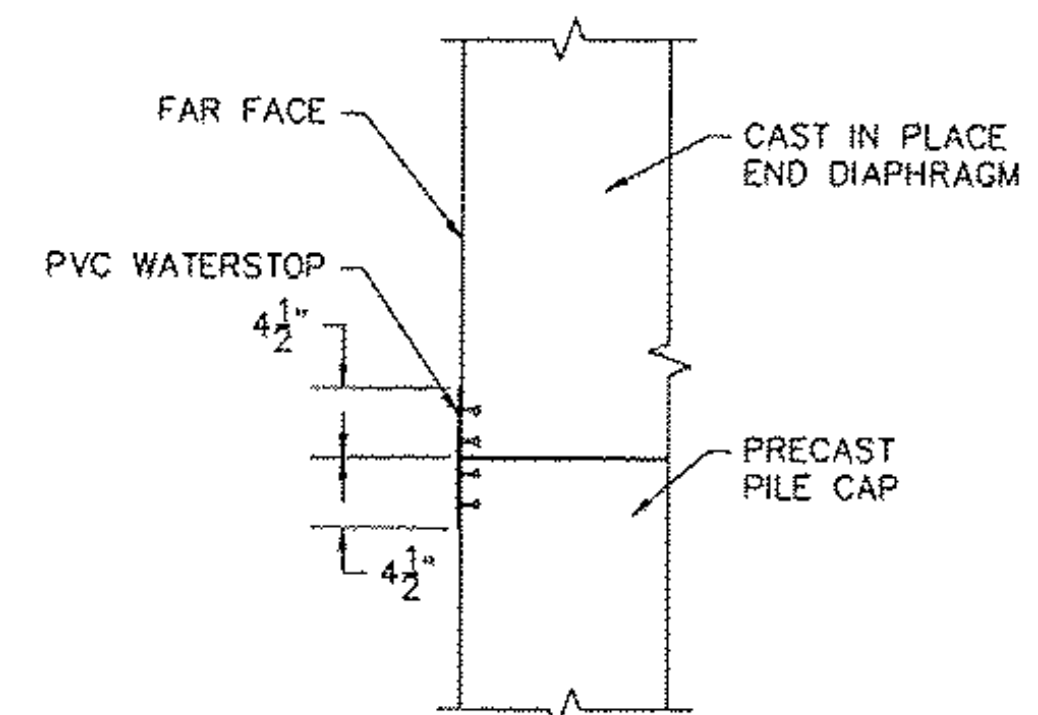


- NOTE:
1. TRANSVERSE TIES SHALL BE COVERED BY A SEAMLESS POLYPROPYLENE SHEATH (WITH CORROSION INHIBITING GREASE BETWEEN THE STRAND AND SHEATH) FOR THE FULL LENGTH OF THE STRAND EXCEPT AT THE ANCHORAGE LOCATION.
  2. POST-TENSION STRANDS: 0.5"Ø, 270 KSI, LOW RELAXATION 7-WIRE STRANDS.
  3. FINAL JACKING FORCE = 33 KIPS.

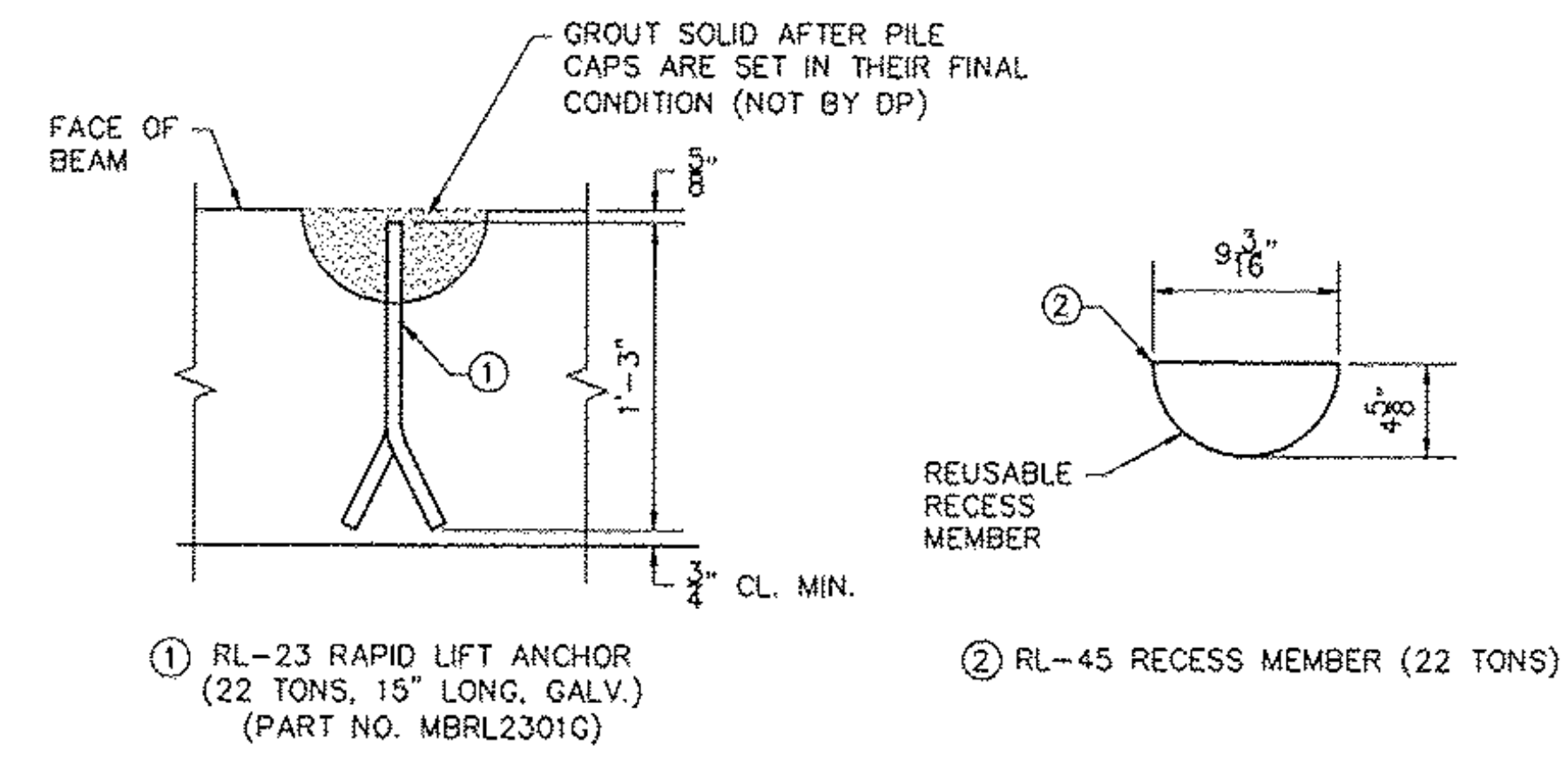
③ TRANSVERSE TIE ANCHORAGE DETAILS  
SCALE: NTS



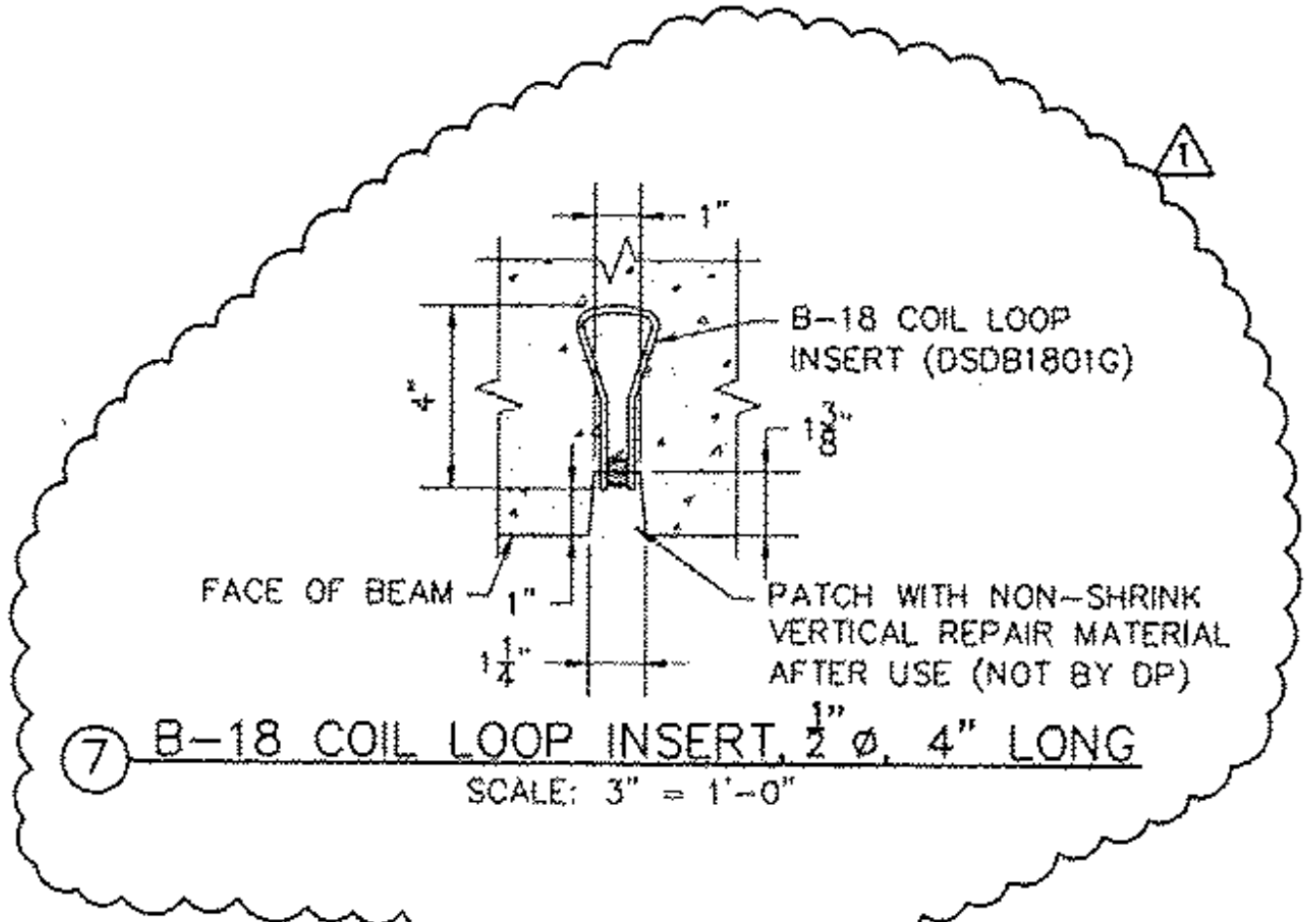
④ BEAM ANCHOR BOLT DETAIL  
SCALE: 1" = 1'-0"



⑤ PVC WATERSTOP DETAIL  
SCALE: 1" = 1'-0"



⑥ RAPID LIFT ANCHOR AND RECESS MEMBER  
SCALE: 1 1/2" = 1'-0"



⑦ B-18 COIL LOOP INSERT, 1/2" Ø, 4" LONG  
SCALE: 3" = 1'-0"

RECEIVED  
OK'D BY LSS OK'D BY RSY  
MAR 11 2011  
RESUBMIT \_\_\_\_\_ APPROVED As Noted  
BY CPW DATE 3/28/11

CONSTRUCTION SET  
FEBRUARY 18, 2011

REVISION NO.	REVISION DATE
1	MARCH 09, 2011

**Hoyle, Tanner & Associates, Inc.**  
125 College Street, 4th Floor Burlington, VT 05401  
Tel: (802) 860-1331 • Fax: (802) 860-6499 • www.hoyletanner.com  
© Copyright 2011 Hoyle, Tanner & Associates, Inc.

DRAWN BY: APN DATE: FEBRUARY 2011  
CHECKED BY: CHS PROJECT NO: 122435.00

**W.E. DAILEY INC.**  
PRECAST CONCRETE PRODUCTS  
TEL: (802) 442-4412 FAX: (802) 442-4719

**CHESTER, VT**  
VT 103  
BRIDGE #9  
PROJECT NO.: BRP 025-1 (37)

**SHEET 3 OF 15**